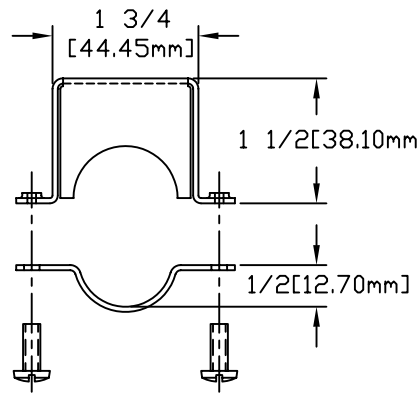
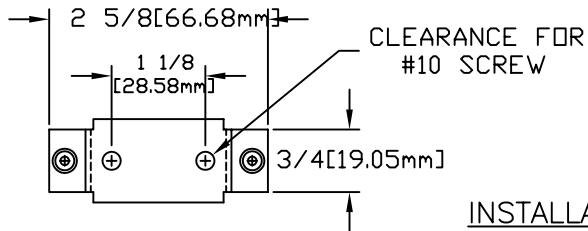


MOUNTING BRACKET



INSTALLATION INSTRUCTIONS:
 1) ATTACH MOUNTING BRACKET USING THE TWO #10 SCREW HOLES.
 2) LOCATE THE PRODUCT IN THE RADIUS. ALIGN OPENING OF UNIT TOWARDS THE FRONT.
 3) INSTALL CLAMP USING THE 6-32 SCREWS SUPPLIED.

FORM 6271-285

SYM	DESCRIPTION	DATE	DWN	APPD
A	FIRST ISSUE. ECN#C6550	6-19-97	S.R.	L.K.
REVISIONS				

ORIGINAL DATE	6-19-97
DRWN	S. ROBAK
CHKD	A.B.
APPD	L. KHATCHADOURIAN
UNLESS OTHERWISE SPECIFIED DIMENSIONS ARE IN INCHES	
TOLERANCES ON FRACTIONS ±1/64	
2 PLACE DEC 3 PLACE DEC ANGLES ±.010 ±.005 ±1/2°	
DO NOT SCALE THIS DRAWING	

TITLE	INSTALLATION INSTRUCTION SHEET
USED ON:	SCALE NONE

DF001 REV. B

UNITED ELECTRIC CONTROLS COMPANY
 WATERTOWN * MASSACHUSETTS

DWG NO
 A-6271-285