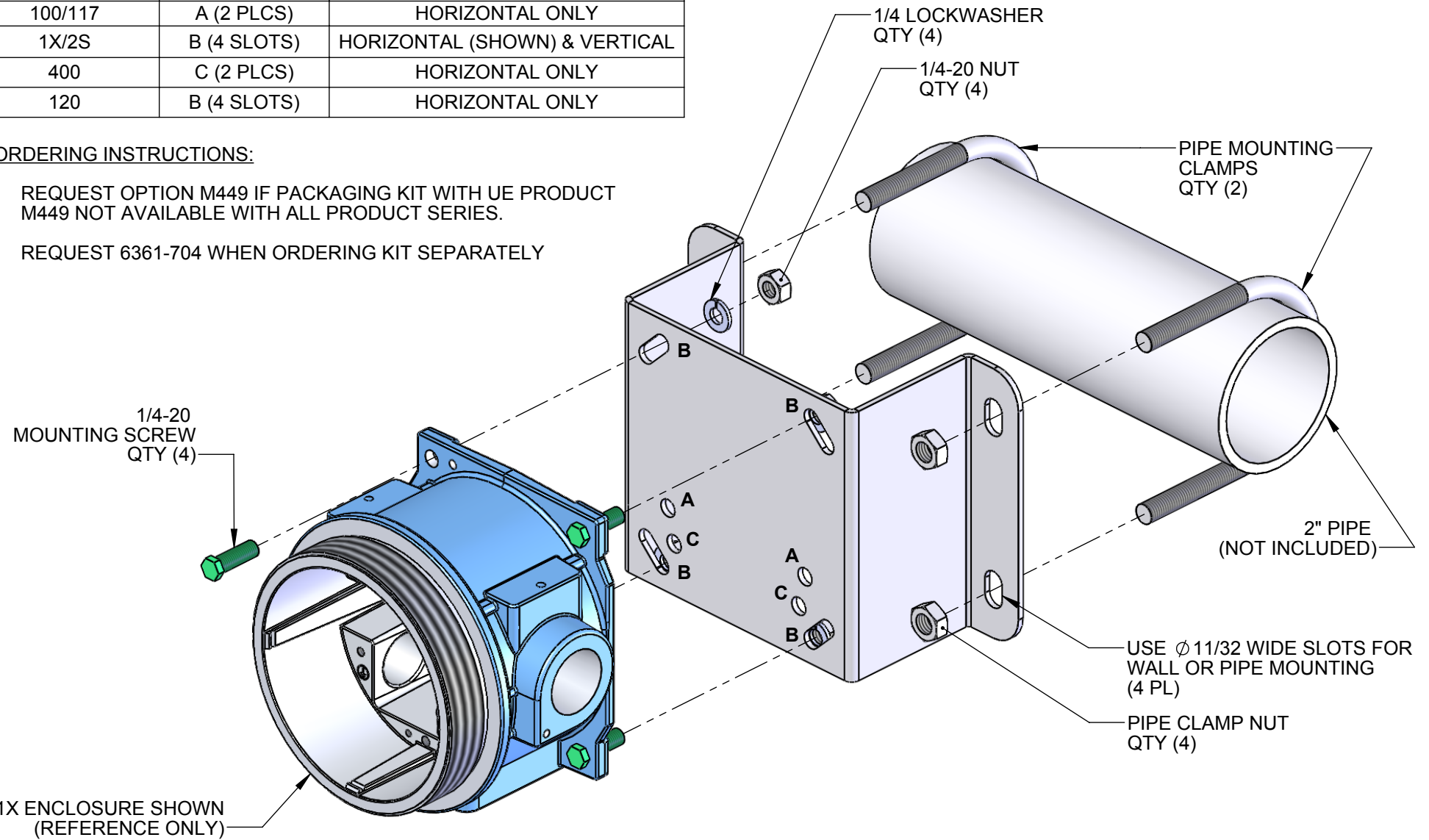


PRODUCT SERIES HOLE CHART

PRODUCT SERIES	HOLES (ϕ 9/32)	MOUNTING ORIENTATION
100/117	A (2 PLCS)	HORIZONTAL ONLY
1X/2S	B (4 SLOTS)	HORIZONTAL (SHOWN) & VERTICAL
400	C (2 PLCS)	HORIZONTAL ONLY
120	B (4 SLOTS)	HORIZONTAL ONLY

ORDERING INSTRUCTIONS:

- REQUEST OPTION M449 IF PACKAGING KIT WITH UE PRODUCT M449 NOT AVAILABLE WITH ALL PRODUCT SERIES.
- REQUEST 6361-704 WHEN ORDERING KIT SEPARATELY



REV.	ECN#	DESCRIPTION	DATE	DRWN	APPD
F	E5987	UPDATED BRACKET. ADDED PIPE MOUNTING ORIENTATION TO HOLE CHART.	2-2-17	ASK	ASK
E	E5747	REPLACED PRODUCT SERIES 2X/4X/8X WITH 1X/2S.	3-4-16	SR	RAM
D	E5099	ADDED ORDERING INSTRUCTIONS & PART QTYS.	4/16/14	SR	WK
C	E4157	SERIES 100/117 WAS 100/105.	9/23/11	MJF	RAM
B	E4116	REDRAWN IN SOLIDWORKS. 120/2X/4X/8X WAS 120.	8/9/11	MJF	RAM

ORIGINAL DATE	9/28/06	
DRWN	S. ROBAK	
CHKD	AB	
APPD	LEVON	
UNLESS OTHERWISE SPECIFIED DIMENSIONS ARE IN INCHES		
TOLERANCES ON FRACTIONS \pm 1/64		
2 PLACE DEC	3 PLACE DEC	ANGLES
\pm 0.010	\pm 0.005	\pm 1/2°
DO NOT SCALE THIS DRAWING		

TITLE
WALL OR PIPE MOUNTING BRACKET KIT
 INSTRUCTION SHEET
 SCALE NONE

UNITED ELECTRIC CONTROLS COMPANY
 WATERTOWN * MASSACHUSETTS
 DWG NO A-62168-999-5 Page 1 of 1