

SPECIFICATIONS:

(SPECIFICATIONS AT 25°C (77°F) AND NOMINAL VOLTAGE UNLESS OTHERWISE NOTED).

MECHANICAL:

WETTED MATERIALS: 316 STAINLESS STEEL
ENCLOSURE: TYPE 360 ALUMINUM; EPOXY POWDER COATED

ELECTRICAL:

ELECTRICAL CONNECTIONS:

POWER INPUT: 3 POSITION TERMINAL BLOCK, 22-14 AWG WIRE, 4-20mA ANALOG INPUT POWERED (20-40 VDC) OR DIRECT CONNECTION TO 24 VDC (REFERENCE I&M FOR ALLOWABLE POWER SUPPLY AND LOAD LIMITS)

SAFETY RELAY OUTPUT (SWITCH OUTPUT):
4-POSITION TERMINAL BLOCK, 14 - 20 AWG WIRE
0* - 30 VDC, 6A (GENERAL PURPOSE), 1.8A** MAX. (PILOT DUTY)

* 10 VDC, 5mA MIN. WITH RELAY MONITOR FEATURE ENABLED
** DE-RATE 1% PER °C ABOVE 25°C

IAW OUTPUT AND SWITCH STATUS OUTPUT:
4-POSITION TERMINAL BLOCK, 14 - 26 AWG WIRE
30VDC @20mA MAX.

MODEL TLX	SHEATH LENGTH	
	INCHES	[cm]
TL1	4"	[10.1]
TL2	6"	[15.2]
TL3	10"	[25.4]

THIS DOCUMENT IS PROPRIETARY PROPERTY OF UNITED ELECTRIC CONTROLS. UNAUTHORIZED USE IS STRICTLY PROHIBITED.

APPROVALS	DATE
R. MCCAREY	5/24/2017
CHECKED BY: SR	5/24/2017
APPROVED BY: R. MCCAREY	5/24/2017

UE UNITED ELECTRIC CONTROLS
LEADERS IN SAFETY, ALARM & SHUTDOWN
180 Dexter Avenue
Watertown, MA. 02472
617-926-1000
www.ueonline.com

THIRD ANGLE PROJECTION

TITLE:
**2SLP48
LOCAL WELDED TEMP.
SAFETY XMITER**

UNLESS OTHERWISE SPECIFIED
DIMENSIONS & TOLERANCES
ARE IN INCHES (MM)
INTERPRET PER ASME Y14.5M-2009

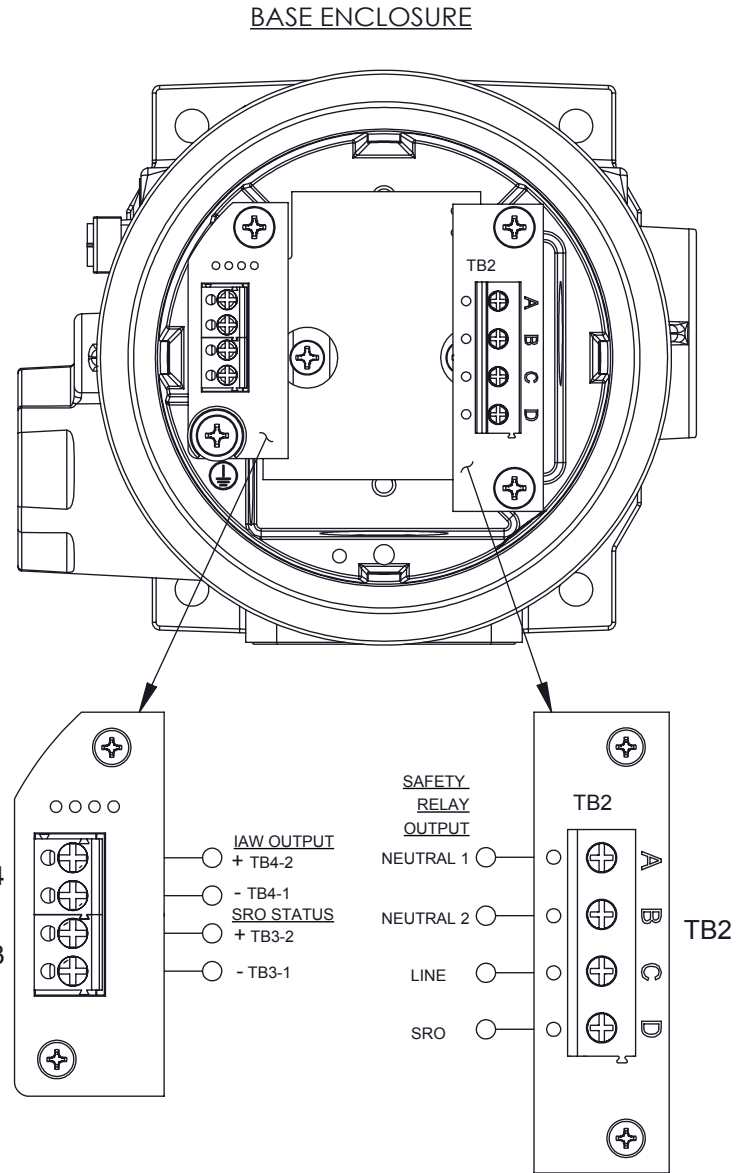
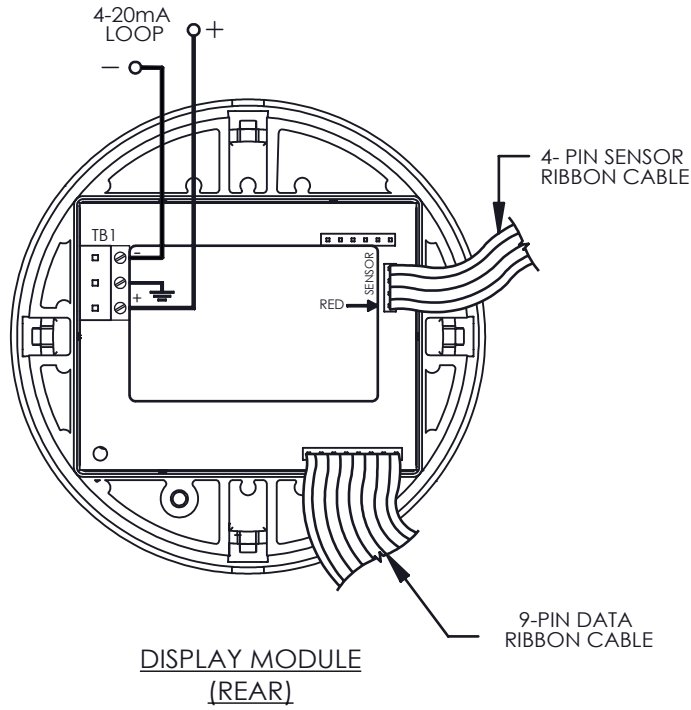
STANDARD TOLERANCES

DECIMALS	ANGLES
X ± 0.03	± 1/2°
XX ± 0.01	FRACTIONS
XXX ± 0.005	± 1/64

SIZE A	DRAWING NO. 14056	REV B
SCALE: 1:1		DON'T SCALE THIS DRAWING
SHEET 1 OF 2		

REV	ECN#	DESCRIPTION	DATE	DRWN	APPD
B	E6315	REDRAWN. CHANGED TWO 2-POSITION TERMINAL BLOCKS FOR THE SWITCH STATUS AND IAW OUTPUTS TO ONE 4-POSITION TERMINAL BLOCK. CHANGED AWG RATING FROM 16-26 TO 14-26.	8/6/18	SR	JCG
REVISION HISTORY					

2SLP48 WIRING DIAGRAM



THIS DOCUMENT IS PROPRIETARY PROPERTY OF UNITED ELECTRIC CONTROLS. UNAUTHORIZED USE IS STRICTLY PROHIBITED.

THIRD ANGLE PROJECTION

UNLESS OTHERWISE SPECIFIED DIMENSIONS & TOLERANCES ARE IN INCHES (MM) INTERPRET PER ASME Y14.5M-2009

STANDARD TOLERANCES

DECIMALS	ANGLES
X ± 0.03	± 1/2°
XX ± 0.01	FRACTIONS ± 1/64
XXX ± 0.005	

UE UNITED ELECTRIC CONTROLS
LEADERS IN SAFETY, ALARM & SHUTDOWN

180 Dexter Avenue
Watertown, MA. 02472
617-926-1000
www.ueonline.com

SIZE	DRAWING NO.	REV
A	14056	B
SCALE: 1:1 DO NOT SCALE THIS DRAWING		SHEET 2 OF 2

UEDOC # : DE733010102 - Rev. C