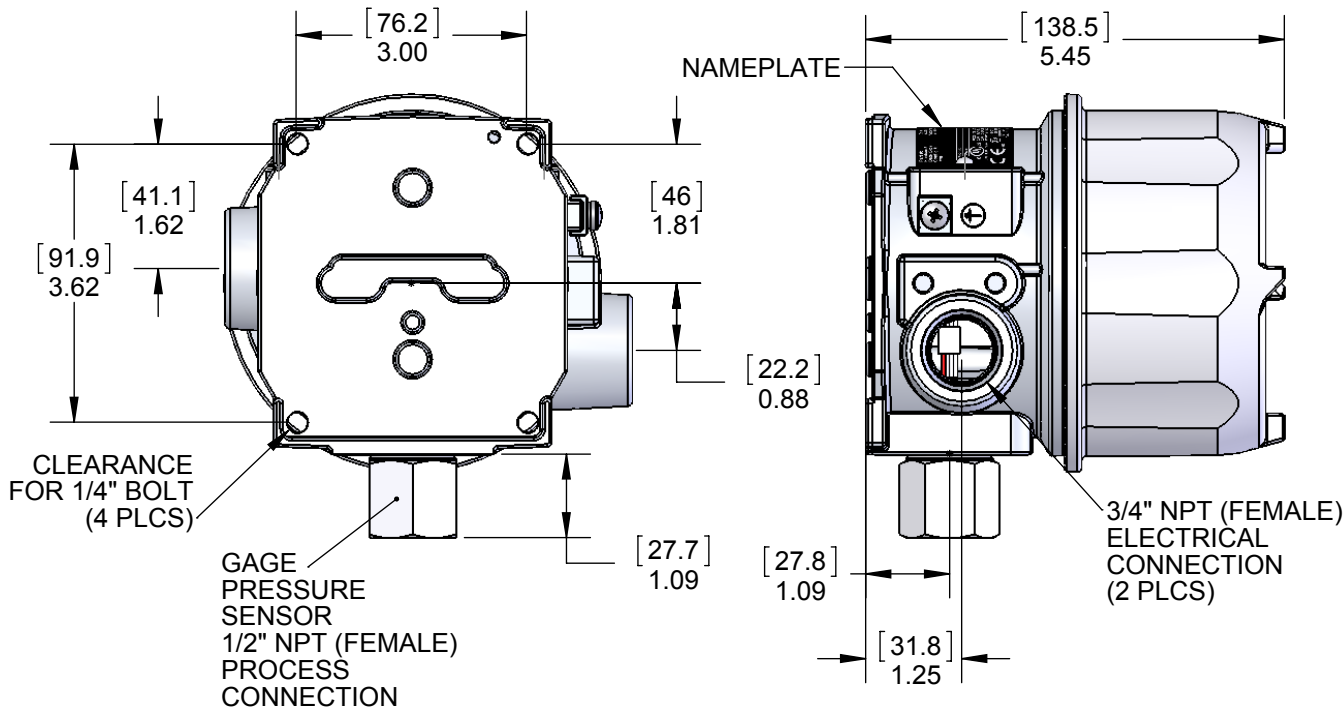
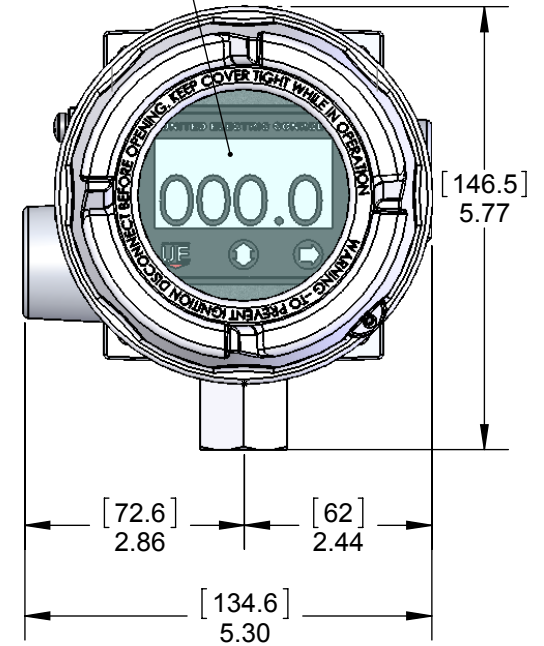


A-14021



DISPLAY CAN BE ROTATED UP TO 180° BOTH DIRECTIONS



SPECIFICATIONS:

MECHANICAL:
 WETTED MATERIALS: 316 STAINLESS STEEL
 ENCLOSURE: TYPE 360 ALUMINUM; EPOXY POWDER COATED

ELECTRICAL:
 ELECTRICAL CONNECTION:
 TB1: 3 POSITION TERMINAL BLOCK, 22-14 AWG Max
 * TB3: 2 POSITION TERMINAL BLOCK, 26-14 AWG Max
 * TB2: 4 POSITION TERMINAL BLOCK, 26-14 AWG Max

SWITCH SPECS (Switch and IAW):
 TB1: 4-20mA LOOP OUTPUT, 20-40 VDC@21mA Max.
 (VOLTAGES ABOVE 25 VDC REQUIRE A SUITABLE SERIES LOAD RESISTOR. SEE I&M FOR DETAILS)
 * TB3: IAW OUTPUT, 30 VDC @ 20 mA Max.
 * TB2: SWITCH OUTPUTS (2), 0-280 VAC/DC @ 300 mA (DERATE 8% PER 10°C ABOVE 21°C)

* MODEL 1XTXSW ONLY

APPROVALS:

cULus LISTED
 CLASS I, DIVISION 1, GROUPS A, B, C & D;
 CLASS II, DIVISION 1, GROUPS E, F & G; CLASS III
 CLASS I, ZONE 1, AEx d IIC T3/T5*;
 Ex d IIC T3/T5*;
 CLASS I, ZONE 2, AEx nA IIC T4;
 CLASS I, ZONE 2 EX nA IIC T4;
 -40°C ≤ Tamb ≤ 85°C (-40°F ≤ Tamb ≤ 185°F)
 ENCLOSURE TYPE 4X; IP66
 UL File: E226592

ATEX APPROVED
 II 2 G Ex db IIC T3/T5* Gb;
 II 2 D Ex tb IIIC A21 T+90°C Db;
 IP66
 -40°C ≤ Tamb ≤ 85°C (-40°F ≤ Tamb ≤ 185°F)
 DEMKO 09 ATEX 0813748X

II 3 G Ex nA IIC T4 Gc
 DEMKO 15 ATEX 1483

APPROVALS:

IECEx APPROVED
 Ex db IIC T3/T5* Gb;
 Ex tb IIIC T+90°C Db;
 IP66
 -40°C ≤ Tamb ≤ 85°C (-40°F ≤ Tamb ≤ 185°F)
 IECEx UL 08.0017X
 Ex nA IIC T4 Gc
 IECEx UL 08.0017X

* STRAIGHT PRESSURE SENSOR MODELS P10-P16
 HAVE A TEMPERATURE CLASS OF T3. ALL OTHER
 MODELS HAVE A T5 TEMPERATURE CLASS.

| MODEL PXX | OPERATING RANGE | | | | MAX. OVER PRESSURE | |
|-----------|-----------------|----|------|-------|--------------------|-------|
| | LOW | | HIGH | | psi | bar |
| P06 | -14.7 | -1 | 30 | 2.1 | 60 | 4.1 |
| P08 | -14.7 | -1 | 100 | 6.9 | 200 | 13.8 |
| P10 | 0 | 0 | 5 | 0.3 | 10 | 0.7 |
| P11 | 0 | 0 | 15 | 1.0 | 30 | 2.1 |
| P12 | 0 | 0 | 30 | 2.1 | 60 | 4.1 |
| P13 | 0 | 0 | 50 | 3.4 | 100 | 6.9 |
| P14 | 0 | 0 | 100 | 6.9 | 200 | 13.8 |
| P15 | 0 | 0 | 300 | 20.7 | 600 | 41.4 |
| P16 | 0 | 0 | 500 | 34.5 | 1000 | 68.9 |
| P17 | 0 | 0 | 1000 | 68.9 | 2000 | 137.9 |
| P18 | 0 | 0 | 3000 | 206.8 | 6000 | 413.7 |
| P19 | 0 | 0 | 4500 | 310.3 | 9000 | 620.6 |
| P20 | 0 | 0 | 6000 | 413.6 | 12000 | 827.4 |

| REV. | ECN# | DESCRIPTION | DATE | DRWN | APPD |
|------|-------|---|---------|------|------|
| C | E5644 | AGENCY TEMPERATURE CODE "T3/T5*" WAS "T5". ADDED TEMPERATURE CLASS NOTE: "* STRAIGHT PRESSURE SENSOR MODELS P10-P16..." | 10-9-15 | SR | RAM |
| B | E5632 | DELETED "CLASS 1, ZONE 1" FROM "Ex d IIC T5" IN cULus APPROVAL. ADDED "b" TO "Ex db" IN ATEX AND IECEx APPROVALS | 9-21-15 | SR | EM |
| A | E5620 | FIRST ISSUE. | 9-4-15 | RAM | RAM |

| | |
|---|------------|
| ORIGINAL DATE | 9-4-15 |
| DRWN | RAM |
| CHKD | SR |
| APPD | R. McCAREY |
| UNLESS OTHERWISE SPECIFIED DIMENSIONS ARE IN INCHES TOLERANCES ON FRACTIONS ±1/64 2 PLACE DEC 3 PLACE DEC ANGLES ±0.010 ±0.005 ±1/2° | |
| DO NOT SCALE THIS DRAWING | |

TITLE
**1XTXSW /
 1XTX00
 GAGE
 PRESSURE
 TRANSMITTER**

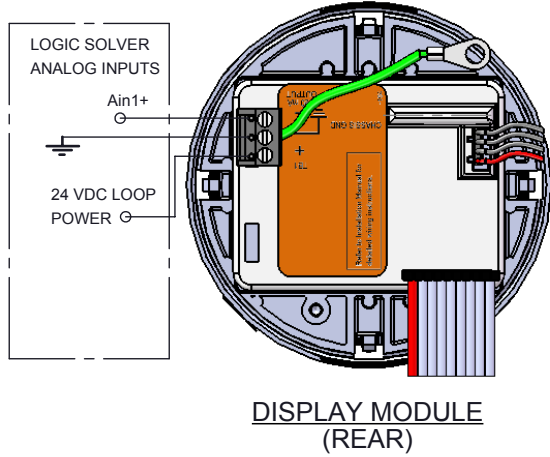
SCALE 1:2.5

UE
 UNITED ELECTRIC
 CONTROLS COMPANY
 WATERTOWN * MASSACHUSETTS

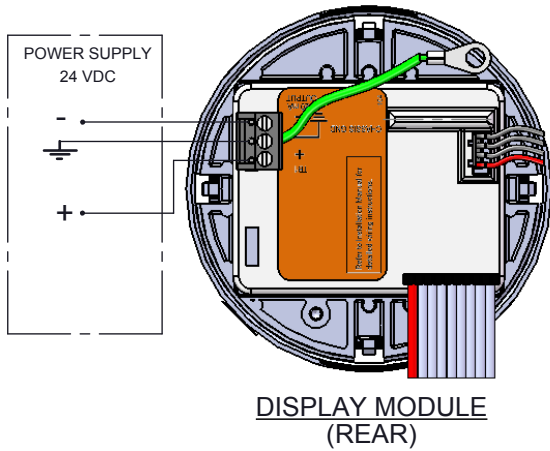
DWG NO Page 1 of 2
A-14021

POWER OPTIONS

POWERED BY 4-20mA LOOP(1XTXSW / 1XTX00)

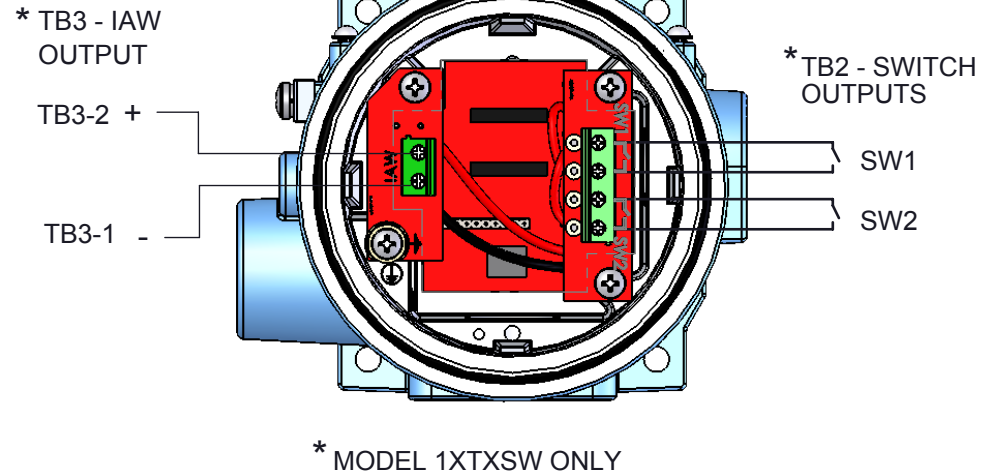
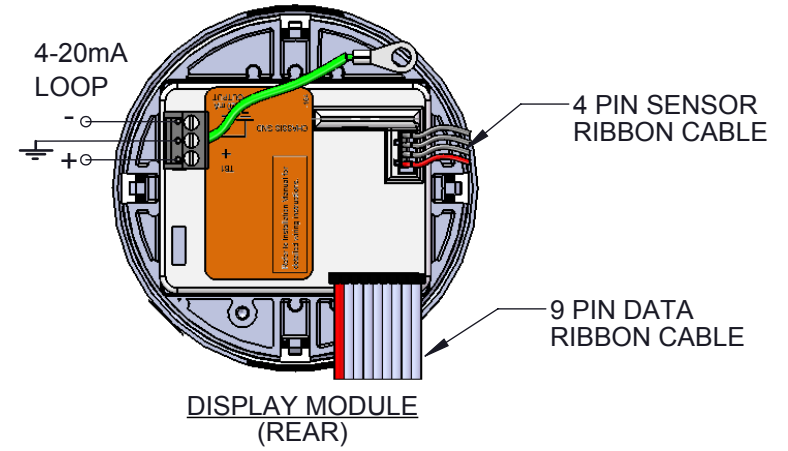


POWERED BY 24VDC POWER SUPPLY (1XTXSW ONLY)



WIRING DIAGRAM

A-14021



| | |
|---|------------|
| ORIGINAL DATE | 9-4-15 |
| DRWN | RAM |
| CHKD | SR |
| APPD | R. McCAREY |
| UNLESS OTHERWISE SPECIFIED DIMENSIONS ARE IN INCHES TOLERANCES ON FRACTIONS ±1/64 2 PLACE DEC 3 PLACE DEC ANGLES ±0.010 ±0.005 ±1/2° | |
| DO NOT SCALE THIS DRAWING | |

| | |
|-------|---|
| TITLE | 1XTXSW / 1XTX00 GAGE PRESSURE TRANSMITTER |
| SCALE | 1:1 |

| | |
|--|-------------|
|  UNITED ELECTRIC CONTROLS COMPANY WATERTOWN * MASSACHUSETTS | |
| DWG NO | Page 2 of 2 |
| A-14021 | |

| REV. | ECN# | DESCRIPTION | DATE | DRWN | APPD |
|------|-------|-----------------|---------|------|------|
| C | E5644 | SEE PG. 1 OF 2. | 10-9-15 | SR | RAM |
| B | E5632 | SEE PG. 1 OF 2. | 9-21-15 | SR | EM |
| A | E5620 | FIRST ISSUE. | 9-4-15 | RAM | RAM |

THIS DOCUMENT IS PROPRIETARY PROPERTY OF UNITED ELECTRIC CONTROLS. UNAUTHORIZED USE IS STRICTLY PROHIBITED.