

SPECIFICATIONS:

MECHANICAL:
 WETTED MATERIALS: 316 STAINLESS STEEL
 ENCLOSURE: TYPE 360 ALUMINUM; EPOXY POWDER COATED

ELECTRICAL:
 ELECTRICAL CONNECTION:
 3 POSITION TERMINAL BLOCK, 22-14 AWG Max
 2 POSITION TERMINAL BLOCK, 22-14 AWG Max

SWITCH SPECS (Switch and IAW):
 POWER INPUT: 2 WIRE Electronic Switch
 (Derives operating power from the switch output wires)
 SWITCH OUTPUT: 7.8 to 50 VDC @ 100mA,
 de-rate 1mA / °C above 25 °C. 2.7 mA MIN. LOAD REQUIRED.
 SWITCH CHARACTERISTICS:
 Open(off) State: 7.8-50 VDC @750 uA MAX
 Closed (on) State:4.7 VDC @100 mA

APPROVALS:

cULus LISTED
 CLASS I, DIVISION 1, GROUPS A, B, C & D;
 CLASS II, DIVISION 1, GROUPS E, F & G; CLASS III
 CLASS I, ZONE 0 AEx ia IIC T4
 CLASS I, ZONE 1, AEx d IIC T4
 CLASS I, ZONE 1, Ex d IIC T5;
 CLASS I, ZONE 1, Ex d IIC T5
 CLASS I, ZONE 2, AEx nA IIC T4
 CLASS I, ZONE 2 EX nA IIC T4
 Tamb= -40°C TO +85°C (-40°F TO 185°F)
 ENCLOSURE TYPE 4X; IP66

ATEX APPROVED

II 1 G Ex ia IIC T4
 II 1 D Ex ia IIIC T135°C
 II 2 G Ex d IIC T5
 II 2 D Ex tD A21 IP66 T+90C
 II 3 G Ex nA IIC T4
 DEMKO 09 ATEX 0813748X
 Tamb = -40°C TO +85°C (-40°F TO 185°F)

IECEx APPROVED

IECEx UL 08.0017
 Ex ia IIC T4
 Ex ia IIIC T135°C
 Ex d IIC T5
 Ex tD A21 IP66 T+90C
 Ex nA IIC T4
 Tamb. = -40°C TO +85°C (-40°F TO 185°F)

MODEL TLX	TEMPERATURE RANGE	SHEATH LENGTH	
		INCHES	[cm]
TL1	-40 TO 450°F/ -40 TO 232°C	4"	[10.1]
TL2	-40 TO 450°F/ -40 TO 232°C	6"	[15.2]
TL3	-40 TO 450°F/ -40 TO 232°C	10"	[25.4]

REV.	ECN#	DESCRIPTION	DATE	DRWN	APPD
C	E6100	"TB3" WAS "TB2" ON WIRING LABEL, WIRING SCHEMES VIEWS, PG. 2 OF 2.	6-20-17	SR	RAM
B	E5527	DRILLED HOLES IN CASTING NOW CORED	6-15-15	RJG	RAM
A	E5458	FIRST ISSUE.	4-13-15	SR	SJM

ORIGINAL DATE	4-13-15
DRWN	SR
CHKD	RJG
APPD	S. MILLS
UNLESS OTHERWISE SPECIFIED DIMENSIONS ARE IN INCHES TOLERANCES ON FRACTIONS ±1/64 2 PLACE DEC 3 PLACE DEC ANGLES ±0.010 ±0.005 ±1/2°	
DO NOT SCALE THIS DRAWING	

TITLE	1XSWLL LOCAL WELDED TEMP. SWITCH
USED ON:	
SCALE	1:2.5

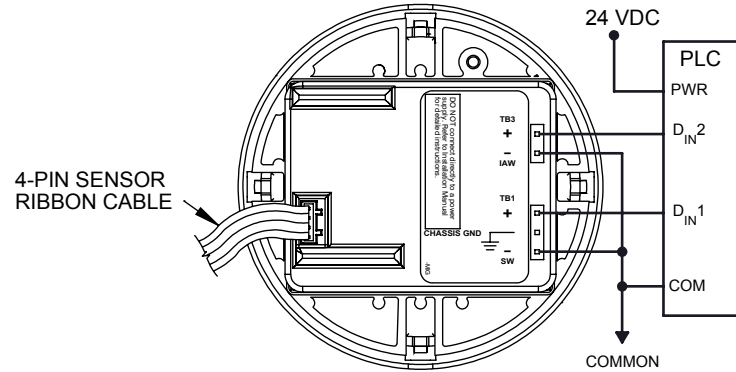
UE
 UNITED ELECTRIC
 CONTROLS COMPANY
 WATERTOWN * MASSACHUSETTS

DWG NO Page 1 of 2
A-14017

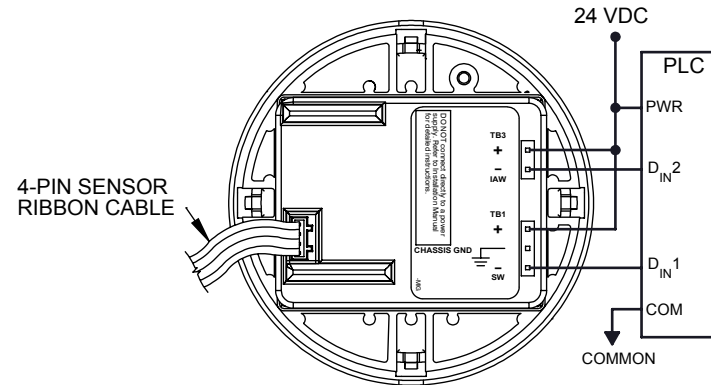
THIS DOCUMENT IS PROPRIETARY PROPERTY OF UNITED ELECTRIC CONTROLS. UNAUTHORIZED USE IS STRICTLY PROHIBITED.

RECOMMENDED WIRING SCHEMES

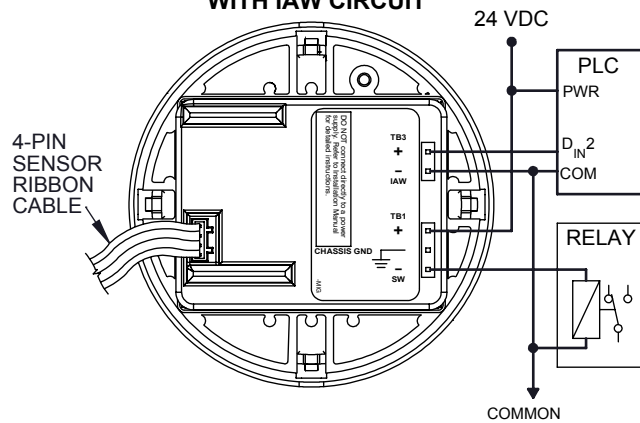
**SW AND IAW
PLC INPUTS CIRCUIT
SINKING SWITCH**



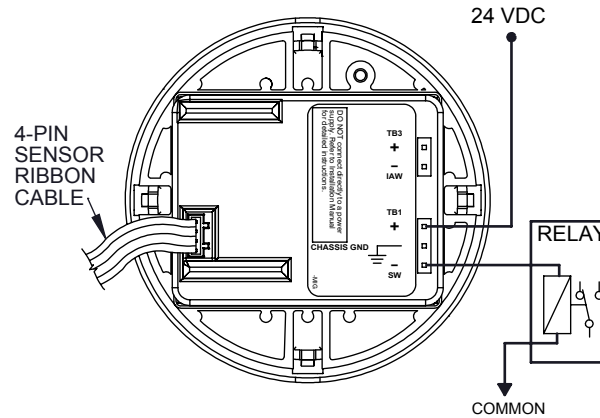
**SW AND IAW
PLC INPUTS CIRCUIT
SOURCING SWITCH**



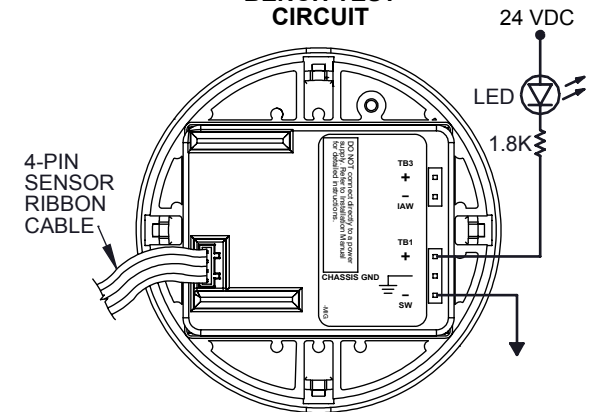
**SWITCH INPUT SINKING
INTERPOSING RELAY
WITH IAW CIRCUIT**



**INTERPOSING
RELAY CIRCUIT**



**RECOMMENDED
BENCH TEST
CIRCUIT**



REV.	ECN#	DESCRIPTION	DATE	DRWN	APPD
C	E6100	SEE PAGE 1	6-20-17	SR	RAM
B	E5527	SEE PAGE 1	6-15-15	RJG	RAM
A	E5458	FIRST ISSUE.	4-13-15	SR	SJM

ORIGINAL DATE	4-13-15
DRWN	SR
CHKD	RJG
APPD	S. MILLS
UNLESS OTHERWISE SPECIFIED DIMENSIONS ARE IN INCHES TOLERANCES ON FRACTIONS ±1/64 2 PLACE DEC 3 PLACE DEC ANGLES ±0.010 ±0.005 ±1/2°	
DO NOT SCALE THIS DRAWING	

TITLE	1XSWLL LOCAL WELDED TEMP. SWITCH
USED ON:	SCALE 1:1

UE
UNITED ELECTRIC
CONTROLS COMPANY
WATERTOWN * MASSACHUSETTS

DWG NO A-14017 Page 2 of 2

THIS DOCUMENT IS PROPRIETARY
PROPERTY OF UNITED ELECTRIC CONTROLS.
UNAUTHORIZED USE IS STRICTLY PROHIBITED.