

A-14015

DISPLAY CAN BE ROTATED 180° BOTH DIRECTIONS

SPECIFICATIONS:

MECHANICAL:
 WETTED MATERIALS: 316 STAINLESS STEEL
 ENCLOSURE: TYPE 360 ALUMINUM; EPOXY POWDER COATED

ELECTRICAL:
 ELECTRICAL CONNECTION:
 3 POSITION TERMINAL BLOCK, 22-14 AWG Max
 2 POSITION TERMINAL BLOCK, 22-14 AWG Max

SWITCH SPECS (Switch and IAW):
 POWER INPUT: 2 WIRE Electronic Switch
 (Derives operating power from the switch output wires)
 SWITCH OUTPUT: 7.8 to 50 VDC @ 100mA,
 de-rate 1mA / °C above 25 °C; 2.7 mA MIN. LOAD REQUIRED.
 SWITCH CHARACTERISTICS:
 Open(off) State: 7.8-50 VDC @750 uA MAX
 Closed (on) State: 4.7 VDC @100 mA

APPROVALS:

cULus LISTED
 CLASS I, DIVISION 1, GROUPS A, B, C & D;
 CLASS II, DIVISION 1, GROUPS E, F & G; CLASS III
 CLASS I, ZONE 0 AEx ia IIC T4
 CLASS I, ZONE 0 Ex ia IIC T4
 CLASS I, ZONE 1, AEx d IIC T5
 CLASS I, ZONE 1, Ex d IIC T5
 CLASS I, ZONE 2, AEx nA IIC T4
 CLASS I, ZONE 2 EX nA IIC T4
 Tamb = -40°C TO +85°C (-40°F TO 185°F)
 ENCLOSURE TYPE 4X; IP66

ATEX APPROVED
 II 1 G Ex ia IIC T4
 II 1 D Ex ia IIC T135°C
 II 2 G Ex d IIC T5
 II 2 D Ex ID A21 IP66 T+90C
 II 3 G Ex nA IIC T4
 DEMKO 09 ATEX 0813748X
 Tamb = -40°C TO +85°C (-40°F TO 185°F)

IECEx APPROVED
 IECEx UL 08.0017
 Ex ia IIC T4
 Ex ia IIIC T135°C
 Ex d IIC T5
 Ex ID A21 IP66 T+90C
 Ex nA IIC T4
 Tamb. = -40°C TO +85°C (-40°F TO 185°F)

MODEL	TEMPERATURE RANGE	EXTENSION LENGTH	
		ft	[meter]
TR1	-40 TO 450°F/ -40 TO 232°C	6'	[1.8]
TRC	-40 TO 450°F/ -40 TO 232°C	UP TO 30' max. IN 1' INCREMENTS	[9.1] MAX
TH1	-40 TO 1000°F/ -40 TO 538°C	6'	[1.8]
THC	-40 TO 1000°F/ -40 TO 538°C	UP TO 30' max. IN 1' INCREMENTS	[9.1] MAX
TC1	-300 TO 200°F/ -184 TO 93°C	6'	[1.8]
TCC	-300 TO 200°F/ -184 TO 93°C	UP TO 30' max. IN 1' INCREMENTS	[9.1] MAX

ORIGINAL DATE	4-13-15
DRWN	SR
CHKD	RJG
APPD	S. MILLS
UNLESS OTHERWISE SPECIFIED DIMENSIONS ARE IN INCHES TOLERANCES ON FRACTIONS ±1/64 2 PLACE DEC 3 PLACE DEC ANGLES ±0.010 ±0.005 ±1/2°	
DO NOT SCALE THIS DRAWING	

TITLE
**1XSWLL
 REMOTE
 TEMP.
 SWITCH**

USED ON:
 SCALE 1:2.5

UE
 UNITED ELECTRIC
 CONTROLS COMPANY
 WATERTOWN * MASSACHUSETTS

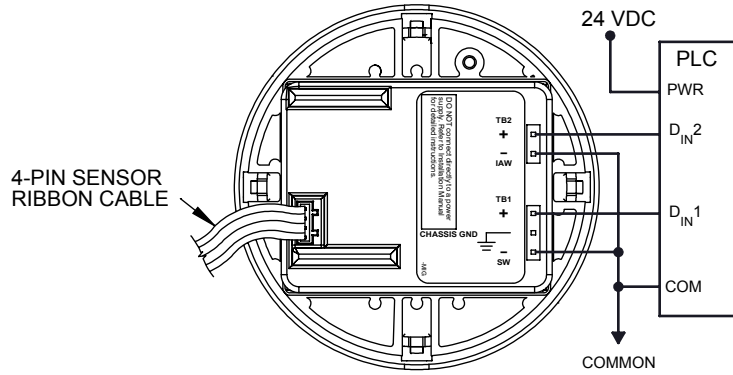
DWG NO Page 1 of 2
A-14015

REV.	ECN#	DESCRIPTION	DATE	DRWN	APPD
B	E5527	DRILLED HOLES IN CASTING NOW CORED	6-15-15	RJG	RAM
A	E5458	FIRST ISSUE.	4-13-15	SR	SJM

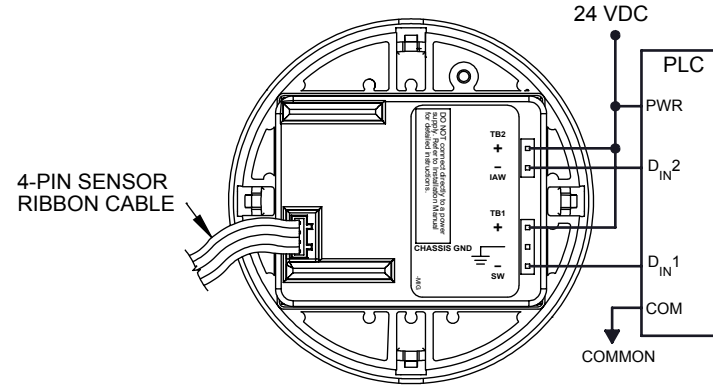
THIS DOCUMENT IS PROPRIETARY
 PROPERTY OF UNITED ELECTRIC CONTROLS.
 UNAUTHORIZED USE IS STRICTLY PROHIBITED.

RECOMMENDED WIRING SCHEMES

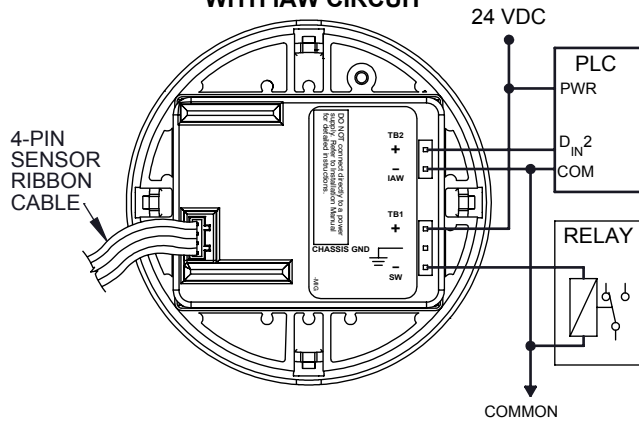
**SW AND IAW
PLC INPUTS CIRCUIT
SINKING SWITCH**



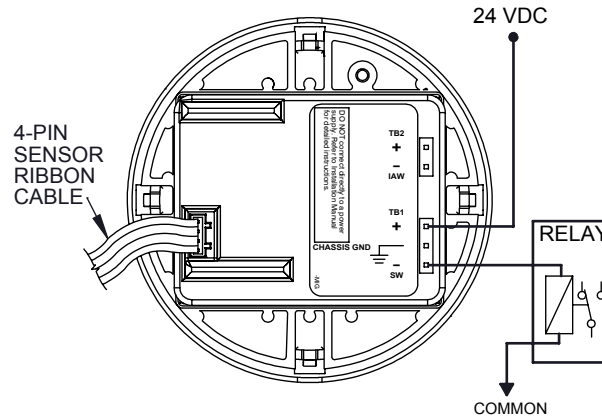
**SW AND IAW
PLC INPUTS CIRCUIT
SOURCING SWITCH**



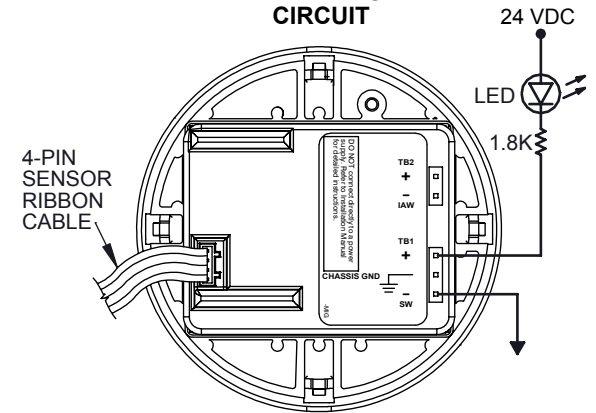
**SWITCH INPUT SINKING
INTERPOSING RELAY
WITH IAW CIRCUIT**



**INTERPOSING
RELAY CIRCUIT**



**RECOMMENDED
BENCH TEST
CIRCUIT**



ORIGINAL DATE	4-13-15
DRWN	SR
CHKD	RJG
APPD	S. MILLS

TITLE

**1XSWLL
REMOTE
TEMP.
SWITCH**



**UNITED ELECTRIC
CONTROLS COMPANY**
WATERTOWN * MASSACHUSETTS

USED ON:

SCALE 1:1

DWG NO Page 2 of 2

A-14015

REV.	ECN#	DESCRIPTION	DATE	DRWN	APPD
B	E5527	SEE PAGE 1	6-15-15	RJG	RAM
A	E5458	FIRST ISSUE.	4-13-15	SR	SJM

THIS DOCUMENT IS PROPRIETARY
PROPERTY OF UNITED ELECTRIC CONTROLS.
UNAUTHORIZED USE IS STRICTLY PROHIBITED.

UNLESS OTHERWISE SPECIFIED
DIMENSIONS ARE IN INCHES
TOLERANCES ON FRACTIONS ±1/64
2 PLACE DEC 3 PLACE DEC ANGLES
±0.010 ±0.005 ±1/2°

DO NOT SCALE THIS DRAWING