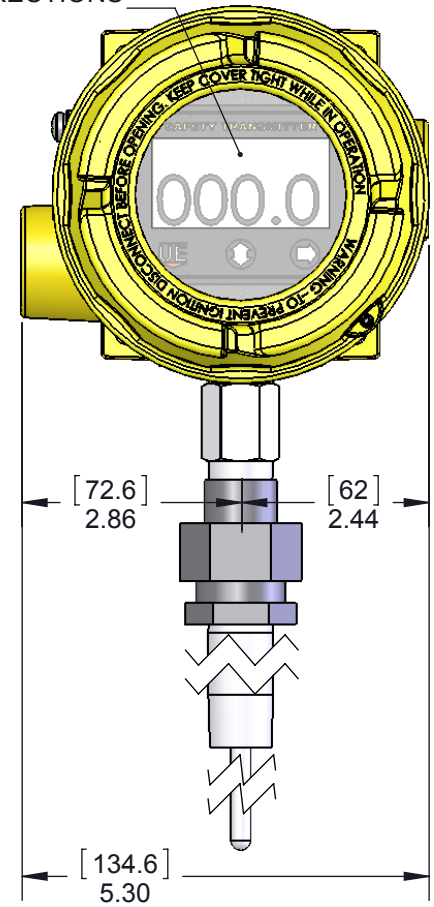


DISPLAY CAN BE ROTATED UP TO 180° BOTH DIRECTIONS

A-14008



SPECIFICATIONS:

(SPECIFICATIONS AT 25°C (77°F) AND NOMINAL VOLTAGE UNLESS OTHERWISE NOTED).

MECHANICAL:

WETTED MATERIALS: 316 STAINLESS STEEL
ENCLOSURE: TYPE 360 ALUMINUM; EPOXY POWDER COATED

ELECTRICAL:

ELECTRICAL CONNECTIONS:

POWER SUPPLY: 3 POSITION TERMINAL BLOCK, 22-14 AWG WIRE
POWER INPUT: 4-20mA LOOP POWERED (20-40 Vdc)
(REFERENCE I&M FOR ALLOWABLE POWER SUPPLY AND LOAD LIMITS)

SAFETY RELAY OUTPUT:
IAW: 2 POSITION TERMINAL BLOCK, 16-26 AWG WIRE, 30Vdc @ 20mA (MAX)
SWITCH STATUS: 2 POSITION TERMINAL BLOCK, 16-26 AWG WIRE, 30Vdc @ 20mA (MAX)

SWITCH SPECS:
4 POSITION TERMINAL BLOCK, 14-20 AWG WIRE
250VAC @ 5A

APPROVALS:

cULus Listed
CLASS I, DIVISION 1, GROUPS A, B, C & D;
CLASS II, DIVISION 1, GROUPS E, F & G; CLASS III
CLASS I, ZONE 1, AEx d IIC T5; CLASS 1, ZONE 1, Ex d IIC T5
Tamb = -40°C TO +70°C (-40°F TO 158°F)
ENCLOSURE TYPE 4X; IP66

ATEX Approved
II 2 G Ex d IIC T5
II 2 D Ex d IIC T5
DEMKO 09 ATEX 0813748X
Tamb = -40°C TO +70°C (-40°F TO 158°F)

IECEx Approved
IECEx UL 08.0017
Ex d IIC T5
Ex d IIC T5
Ex d IIC T5
Ex ID A21 IP66 T+90C
Tamb = -40°C TO +70°C (-40°F TO 158°F)

MODEL TTC	TEMPERATURE RANGE	EXTENSION LENGTH	
		INCHES	[cm]
N-U-N LENGTH	-40 TO 900°F/ -40 TO 482°C	4"-10" IN 1 INCH INCREMENTS	[10.1-25.4]
SHEATH LENGTH	-40 TO 900°F/ -40 TO 482°C	UP TO 60" MAX	[152.4] MAX

REV.	ECN#	DESCRIPTION	DATE	DRWN	APPD
E	E5644	AGENCY TEMPERATURE CODE T5 WAS T3/T5*	10-9-15	SR	RAM
D	E5527	DRILLED HOLES IN CASTING NOW CORED	6-15-15	RJG	RAM
C	E5171	REMOVED "M" MODELS P10-P16 HAVE A TEMPERATURE CLASS OF T3. ALL OTHER MODELS HAVE A T5 TEMPERATURE CLASS." FROM APPROVALS	5-29-14	NAB	RG
B	E5017	REPLACED "SWITCH" WITH "SAFETY XMITTER" IN TITLE.	1-16-14	SR	ASK
A	E4967	INITIAL RELEASE	11-22-13	ASK	AJC

THIS DOCUMENT IS PROPRIETARY PROPERTY OF UNITED ELECTRIC CONTROLS. UNAUTHORIZED USE IS STRICTLY PROHIBITED.

ORIGINAL DATE	11-22-13
DRWN	A. KARLGREN
CHKD	SR
APPD	AJC
UNLESS OTHERWISE SPECIFIED DIMENSIONS ARE IN INCHES	
TOLERANCES ON FRACTIONS ±1/64	
2 PLACE DEC ±0.010	3 PLACE DEC ±0.005
ANGLES ±1/2°	
DO NOT SCALE THIS DRAWING	

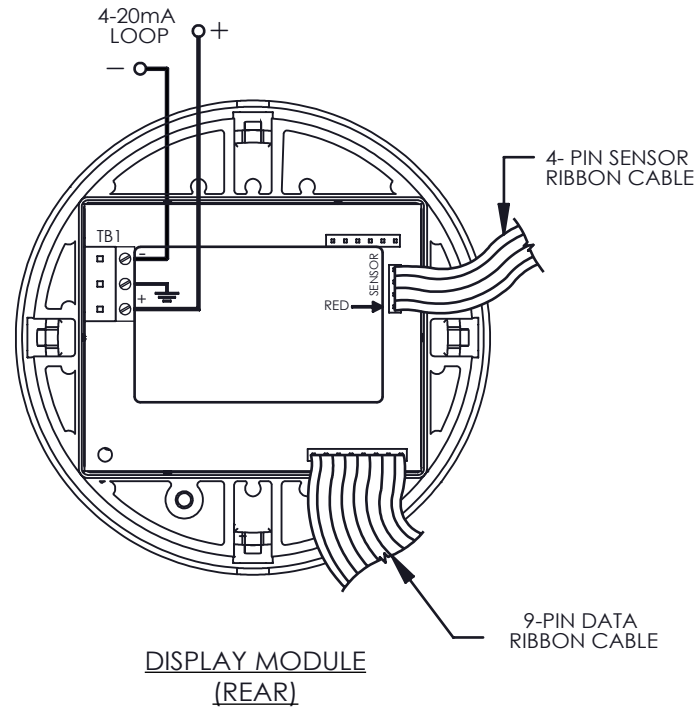
TITLE
2SLP SPRING LOADED TEMP. SAFETY XMITTER

SCALE 1:1

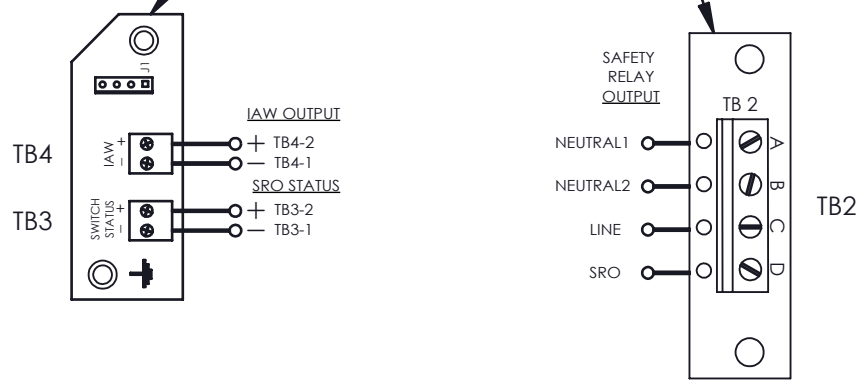
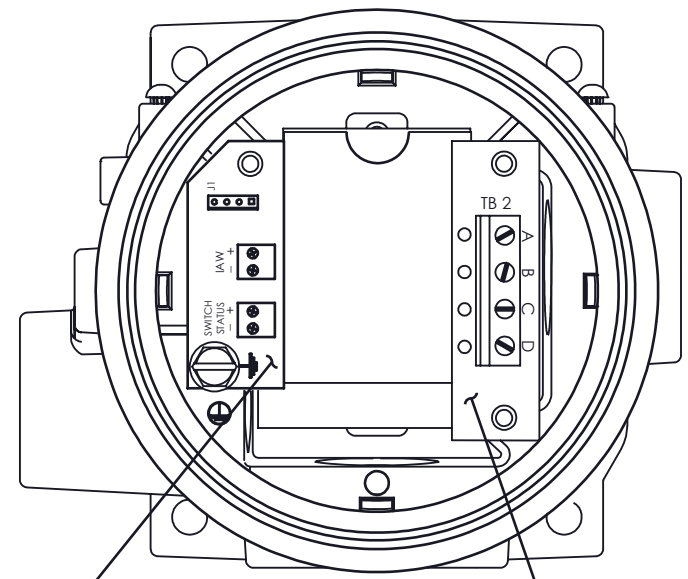
UE
UNITED ELECTRIC CONTROLS COMPANY
WATERTOWN * MASSACHUSETTS

DWG NO Page 1 of 2
A-14008

2SLP WIRING DIAGRAM



BASE ENCLOSURE



REV.	ECN#	DESCRIPTION	DATE	DRWN	APPD
E	E5644	SEE PG. 1 OF 2.	10-9-15	SR	RAM
D	E5527	SEE PG. 1 OF 2.	6-15-15	RJG	RAM
C	E5171	SEE PG. 1 OF 2.	5-29-14	NAB	RG
B	E5017	SEE PG. 1 OF 2.	1-16-14	SR	ASK
A	E4967	INITIAL RELEASE.	11-22-13	ASK	AJC

ORIGINAL DATE	11-22-13	
DRWN	A. KARLGREN	
CHKD	SR	
APPD	AJC	
UNLESS OTHERWISE SPECIFIED DIMENSIONS ARE IN INCHES		
TOLERANCES ON FRACTIONS ±1/64		
2 PLACE DEC	3 PLACE DEC	ANGLES
±0.010	±0.005	±1/2°
DO NOT SCALE THIS DRAWING		

TITLE

2SLP SPRING LOADED TEMP. SAFETY XMITTER

SCALE 1:1

UNITED ELECTRIC CONTROLS COMPANY
WATERTOWN * MASSACHUSETTS

DWG NO Page 2 of 2

A-14008

THIS DOCUMENT IS PROPRIETARY PROPERTY OF UNITED ELECTRIC CONTROLS. UNAUTHORIZED USE IS STRICTLY PROHIBITED.