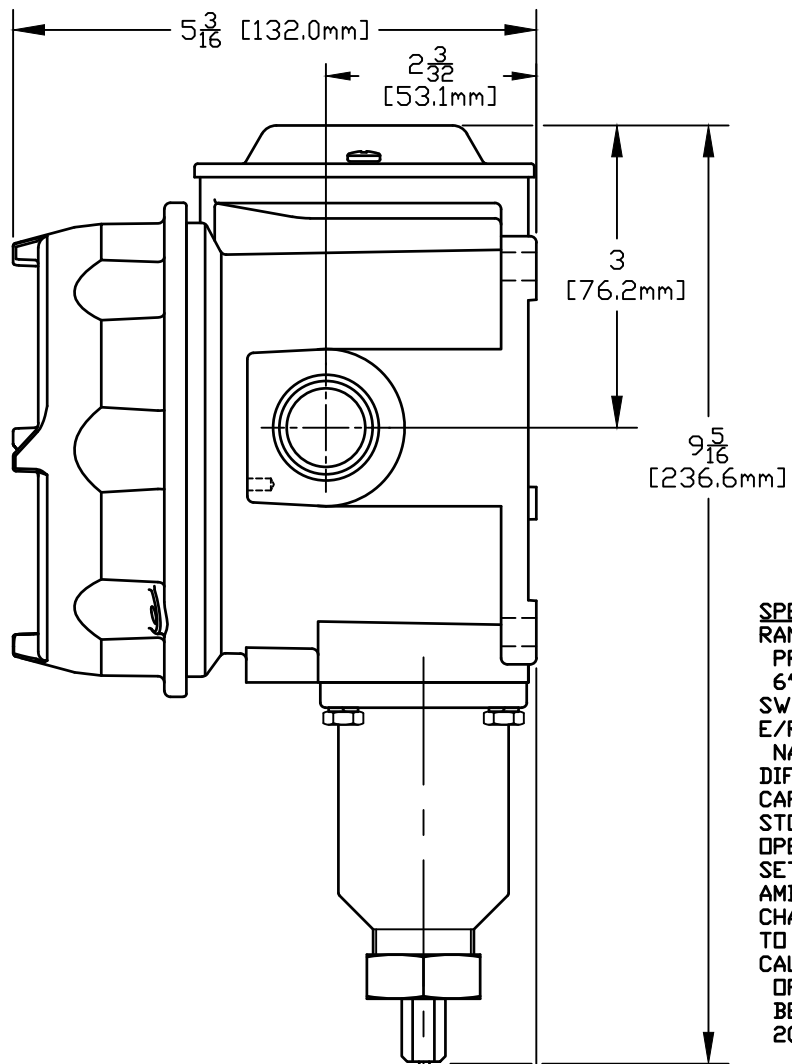
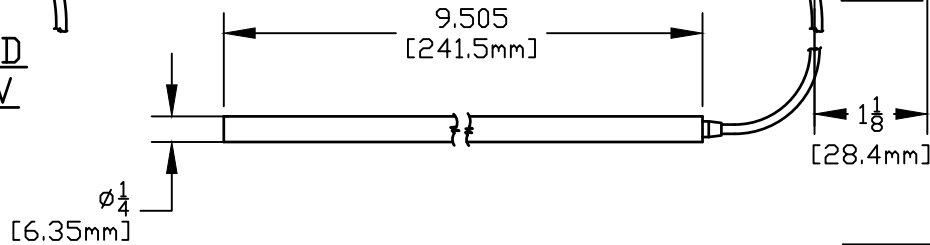





COVER REMOVED
IN FRONT VIEW



APPROVALS:  **UL US**
 cULus LISTED
 CLASS I, DIVISION 1,
 GROUPS B, C & D
 CLASS II, DIVISION 1,
 GROUPS E, F & G
 CLASS III
 -50°C ≤ Tamb. ≤ +71°C
 CLASS I, ZONE 1, GROUP IIB + H₂ T6
 ENCLOSURE TYPE 4X, 7, 9

 **ATEX DIRECTIVE 94/9/EC**
 II 2 G Ex d IIC T6
 II 2 D Ex tD A21 IP66 T+85°C
 Tamb = -40°C TO +75°C

CE COMPLIANT TO
APPLICABLE DIRECTIVE(S)

I & M SHEET IMT120

SPECIFICATIONS:
 RANGE: 25° TO 325°F WITH OVERTEMPERATURE PROTECTION TO 375°F, WITH BULB & 6" CAPILLARY IN THE MEDIUM.
 SWITCH: BM1R (6259-451) SPDT
 E/R: 22 AMP 125/250/480 VAC (PRINTED ON NAMEPLATE).
 DIFFERENTIAL: 6°F MAX.
 CAPILLARY: 10 FEET STAINLESS STEEL
 STORAGE AMBIENTS: -65° TO +160°F.
 OPERATING AMBIENTS: -58° TO +160°F.
 SET POINT MAY SHIFT AT EXTREMES OF AMBIENTS UP TO 2% OF RANGE FOR EACH 50°F CHANGE IN AMBIENT TEMPERATURE FROM -40° TO +160°F.
 CALIBRATION ACCURACY: ±6°F BETWEEN LIMITS OF 150° TO 200°F, INCREASING TO ±15°F BETWEEN THE LIMITS OF 25° TO 149°F & 201° TO 325°F.


CONDITIONS UNDER WHICH TOLERANCES APPLY:
 A.) 6 INCHES CAPILLARY INSTALLED WITH BULB.
 B.) AMBIENT TEMPERATURE OF CONTROL HEAD & REMAINING CAPILLARY 60° TO 90°F

POINTER TO BE SET @ MID RANGE FOR SHIPPING

SYM	DESCRIPTION	DATE	DWN	APPD
C	SET POINT REMOVED ECN#E7482	4/29/24	KLF	RCI
B	UPDATED ENCLOSURE. ECN#E4345.	2-17-12	RCI	SJM
A	FIRST ISSUE. REPLACES SPEC. SHEET: 12121-2. ECN#E3275	8-11-09	S.R.	RAM
REVISIONS				

ORIGINAL DATE	8-11-09
DRWN	SR
CHKD	PLW
APPD	R. McCAREY
UNLESS OTHERWISE SPECIFIED DIMENSIONS ARE IN INCHES	
DO NOT SCALE THIS DRAWING	

TITLE	E121-13273
UE STD HEATRACE	SCALE 1:2

DF001 REV. C	
UNITED ELECTRIC CONTROLS COMPANY WATERTOWN * MASSACHUSETTS	DWG NO A-13952