

APPROVALS:  
 CLASS LISTED  
 CLASS I, DIVISION 1,  
 GROUPS B, C & D  
 CLASS II, DIVISION 1,  
 GROUPS E, F & G  
 CLASS III  
 $-50^{\circ}\text{C} \leq T_{amb.} \leq +71^{\circ}\text{C}$   
 CLASS I, ZONE 1, GROUP IIB + H<sub>2</sub> T6  
 ENCLOSURE TYPE 4X, 7, 9

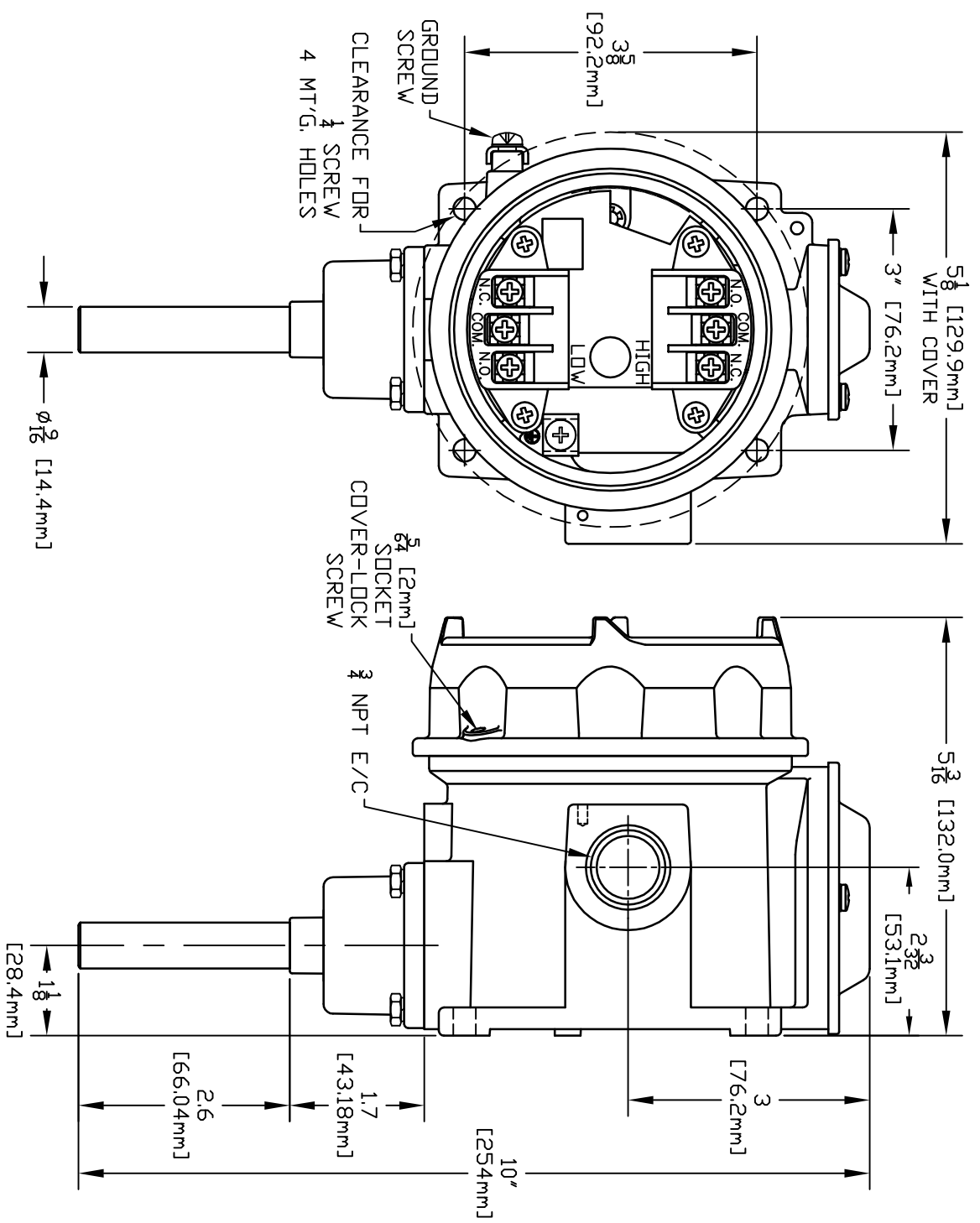
ATEX DIRECTIVE 94/9/EC  
 II 2 G Ex d IIC T6  
 II 2 D Ex tD A21 IP66 T+85°C  
 $T_{amb} = -40^{\circ}\text{C TD} +75^{\circ}\text{C}$

CE COMPLIANT TO  
 APPLICABLE DIRECTIVES)

I & M SHEET IMT120

**SPECIFICATIONS:**

UE TYPE: B122-13322  
 CUSTOMER NAME: UEC STD.  
 RANGE: 15 TD 140°F WITH °C EQUIV.  
 E/R: 22 AMPS, 480 VAC.  
 INVERTED BELLOWS ASS'Y, 304 st/st  
 SWITCH: SPDT  
 DIFFERENTIAL: 6°F MAX.  
 CALIBRATION: SET SWITCHES TO  
 TRANSFER @ 40±3°F ON RISE.  
 CALIBRATION ACCURACY:  
 ±3°F BETWEEN THE LIMITS OF  
 40°F AND 78°F INCREASING TO  
 ±6°F BETWEEN THE LIMITS OF  
 15°F TO 39°F AND 79°F TO 140°F.  
 STORAGE TEMPERATURE LIMITS FOR  
 CONTROL: -65°F TO +160°F.



COVER REMOVED  
 IN FRONT VIEW

ORIGINAL DATE		8-11-09		TITLE		UE STD HEATRACE	
DRWN		SR		REV. C		DF 001	
CHKD		PLW		REV. B		UNITED ELECTRIC	
APPD		R. MCCAREY		REV. A		CONTROLS COMPANY	
UNLESS OTHERWISE SPECIFIED		DIMENSIONS ARE IN INCHES		SCALE		1:2	
DO NOT SCALE THIS DRAWING				SCALE		1:2	
REV. B		UPDATED ENCLOSURE. ECN#E4345.		DATE		2-17-12	
REV. A		FIRST ISSUE. REPLACES SPEC. SHEET.		DATE		8-11-09	
SYM		DESCRIPTION		DWN		APPD	
				SR		RAM	
				RCI		SJM	