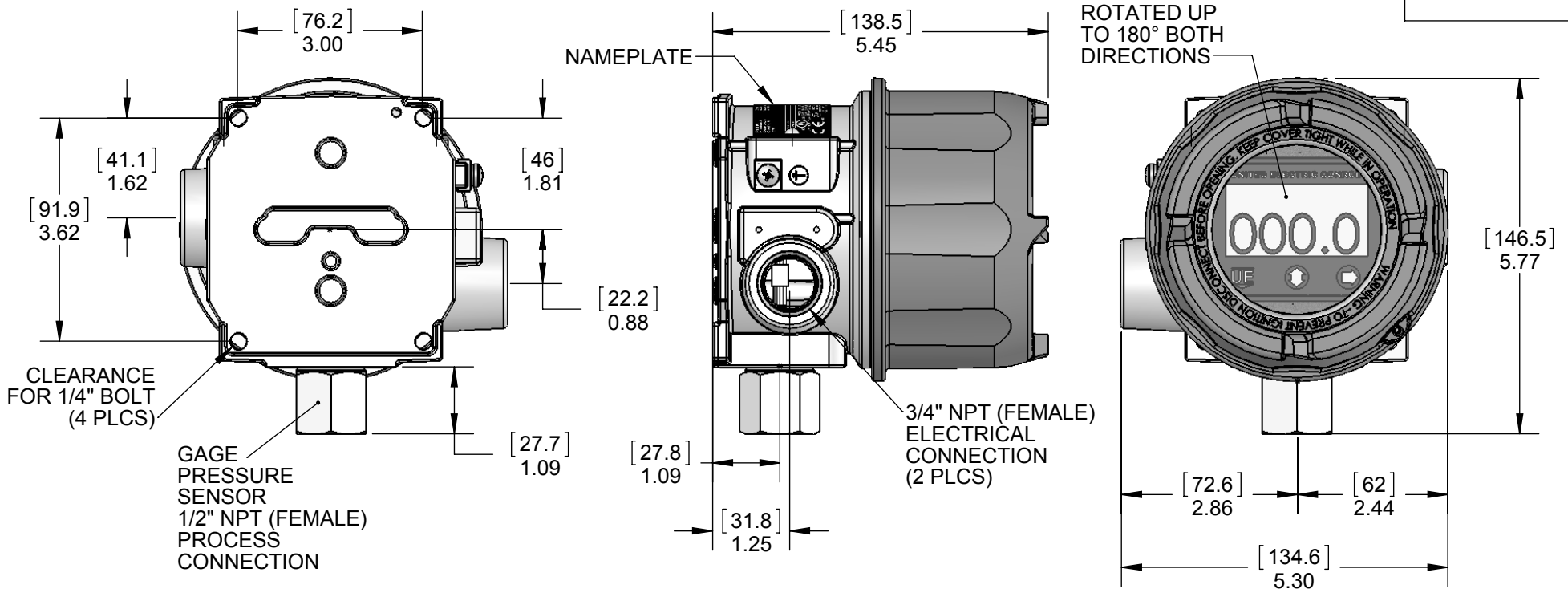


A-13948



SPECIFICATIONS:

MECHANICAL:
 WETTED MATERIALS: 316 STAINLESS STEEL
 ENCLOSURE: TYPE 360 ALUMINUM; EPOXY POWDER COATED

ELECTRICAL:
 ELECTRICAL CONNECTION:
 3 POSITION TERMINAL BLOCK, 22-14 AWG Max

SWITCH SPECS:
 POWER INPUT: 2 WIRE 24 VDC DISCRETE INPUT POWERED (12-30 VDC) @750µA
 SWITCH OUTPUT: 12 TO 30 VDC @ 40mA, 2.3 mA MIN. LOAD REQUIRED.
 SWITCH STATE MAX.: 12-30 VDC @750 µA (V. OPEN)
 4.7 VDC @40 mA (V. CLOSED)

APPROVALS:

cULus LISTED
 CLASS I, DIVISION 1, GROUPS A, B, C & D;
 CLASS II, DIVISION 1, GROUPS E, F & G; CLASS III
 CLASS I, ZONE 1, AEx d IIC T3/T5*; CLASS 1, ZONE 1, Ex d IIC T3/T5*
 Tamb = -40°C TO +85°C (-40°F TO 185°F)
 ENCLOSURE TYPE 4X; IP66

ATEX APPROVED
 II 2 G Ex d IIC T3/T5*
 II 2 D Ex tD A21 IP66 T+90C
 DEMKO 09 ATEX 0813748X
 Tamb = -40°C TO +85°C (-40°F TO 185°F)

IECEx APPROVED
 IECEx UL 08.0017
 Ex d IIC T3/T5*
 Ex tD A21 IP66 T+90C
 Tamb = -40°C TO +85°C (-40°F TO 185°F)

* STRAIGHT PRESSURE SENSOR MODELS P10-P16 HAVE A TEMPERATURE CLASS OF T3. ALL OTHER MODELS HAVE A T5 TEMPERATURE CLASS.

MODEL PXX	OPERATING RANGE				MAX. OVER PRESSURE	
	LOW		HIGH		psi	bar
P06	-14.7	-1	30	2.1	60	4.1
P08	-14.7	-1	100	6.9	200	13.8
P10	0	0	5	0.3	10	0.7
P11	0	0	15	1.0	30	2.1
P12	0	0	30	2.1	60	4.1
P13	0	0	50	3.4	100	6.9
P14	0	0	100	6.9	200	13.8
P15	0	0	300	20.7	600	41.4
P16	0	0	500	34.5	1000	68.9
P17	0	0	1000	68.9	2000	137.9
P18	0	0	3000	206.8	6000	413.7
P19	0	0	4500	310.3	9000	620.6
P20	0	0	6000	413.6	12000	827.4

ORIGINAL DATE	4-7-09
DRWN	RAM
CHKD	RAM
APPD	RAM
UNLESS OTHERWISE SPECIFIED DIMENSIONS ARE IN INCHES	
TOLERANCES ON FRACTIONS ±1/64	
2 PLACE DEC	3 PLACE DEC
±0.010	±0.005
ANGLES ±1/2°	
DO NOT SCALE THIS DRAWING	

TITLE
2X2D GAGE PRESSURE SWITCH

USED ON:
 SCALE 1:1

UE
 UNITED ELECTRIC CONTROLS COMPANY
 WATERTOWN * MASSACHUSETTS

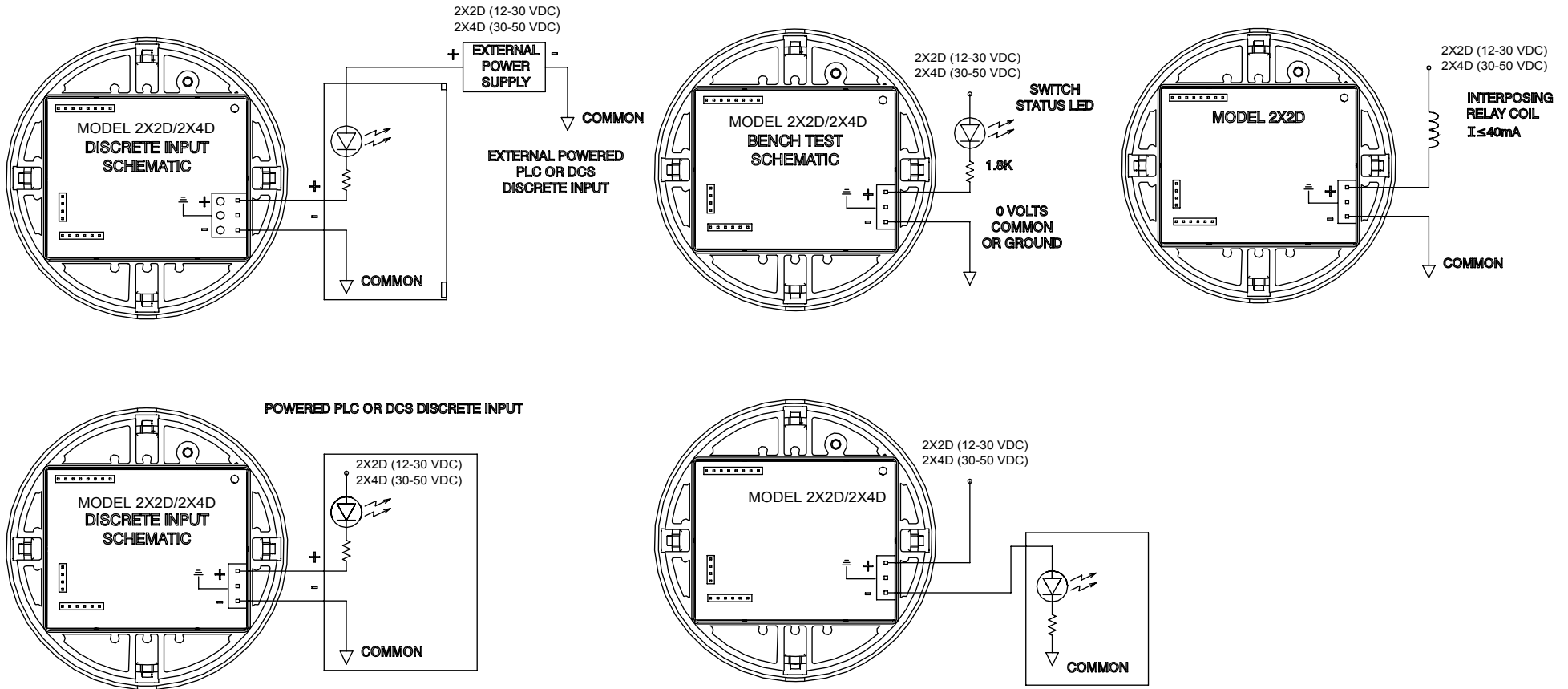
DWG NO Page 1 of 2
A-13948

REV.	DESCRIPTION	DATE	DRWN	APPD
C	CORRECTED DIMENSIONS FOR ENCLOSURE REDESIGN. ECN# E5348	01/22/15	VIK	ASK
B	ADDED MODELS P06 & P08. ECN#E4890	8-21-13	SR	SJM
A	FIRST ISSUE. ECN#E3133	4-7-09	RAM	RAM

THIS DOCUMENT IS PROPRIETARY PROPERTY OF UNITED ELECTRIC CONTROLS. UNAUTHORIZED USE IS STRICTLY PROHIBITED.

RECOMMENDED WIRING SCHEMES

A-13948




THIS DOCUMENT IS PROPRIETARY PROPERTY OF UNITED ELECTRIC CONTROLS. UNAUTHORIZED USE IS STRICTLY PROHIBITED.

REV.	DESCRIPTION	DATE	DRWN	APPD
C	SEE PAGE 1 OF 2. ECN# E5348	01/22/15	VIK	ASK
B	SEE PG. 1 OF 2. ECN#E4890	8-21-13	SR	SJM
A	FIRST ISSUE. ECN#E3133	4-7-09	RAM	RAM

ORIGINAL DATE	4-7-09
DRWN	RAM
CHKD	RAM
APPD	RAM
UNLESS OTHERWISE SPECIFIED DIMENSIONS ARE IN INCHES TOLERANCES ON FRACTIONS ±1/64	
2 PLACE DEC	3 PLACE DEC
±0.010	±0.005
ANGLES	±1/2°
DO NOT SCALE THIS DRAWING	

TITLE	2X2D GAGE PRESSURE SWITCH
USED ON:	
SCALE	1:1



UNITED ELECTRIC CONTROLS COMPANY
WATERTOWN * MASSACHUSETTS

DWG NO	Page 2 of 2
A-13948	