

SPECIFICATIONS:

- MECHANICAL:**
 WETTED MATERIALS: USER SUPPLIED
 ENCLOSURE: TYPE 360 ALUMINUM; EPOXY POWDER COATED
- SENSOR REQUIREMENT:**
 USER-SUPPLIED SENSOR FOR EXPLOSION-PROOF MODELS ONLY MUST BE 4-WIRE RTD, 100 Ω PLATINUM, DIN 0.00385
- ELECTRICAL:**
ELECTRICAL CONNECTIONS:
 POWER SUPPLY: 3 POSITION TERMINAL BLOCK, 22-14 AWG WIRE
 4-20 mA LOOP: 6 POSITION TERMINAL BLOCK, 26-16 AWG WIRE
 SWITCH OUTPUTS: 4 POSITION TERMINAL BLOCK, 20-10 AWG WIRE
- SWITCH SPECS:**
 POWER INPUT: 8 WIRE 24 VDC EXTERNAL POWER SUPPLY (10-30 VDC) @ 30mA
 SWITCH OUTPUT RATINGS:
 8X2D42 SW1: 75-250 VAC, 1.5 A MAX. CONT., DERATE 10% PER 10°C ABOVE 21°C
 SW2: 75-250 VAC, 1.5 A MAX. CONT., DERATE 10% PER 10°C ABOVE 21°C
 8X2D44 SW1: 75-250 VAC, 1.5 A MAX. CONT., DERATE 10% PER 10°C ABOVE 21°C
 SW2: 140 VAC/DC, 0.6 A MAX. CONT., DERATE 8% PER 10°C ABOVE 21°C
 8X2D45 SW1: 140 VAC/DC, 0.6 A MAX. CONT., DERATE 8% PER 10°C ABOVE 21°C
 SW2: 140 VAC/DC, 0.6 A MAX. CONT., DERATE 8% PER 10°C ABOVE 21°C

APPROVALS:

- cULus listed**
 CLASS I, DIVISION 1, GROUPS A, B, C & D;
 CLASS II, DIVISION 1, GROUPS E, F & G; CLASS III
 CLASS I, ZONE 1, AEx d IIC T5; CLASS I, ZONE 1, Ex d IIC T5
 Tamb = -40°C TO +80°C (-40°F TO 176°F)
 ENCLOSURE TYPE 4X; IP66
- ATEX approved**
 II 2 G Ex d IIC T5
 II 2 D Ex d A21 IP66 T+90C
 DEMKO 09 ATEX 0813748X
 Tamb = -40°C TO +80°C (-40°F TO 176°F)
- IECEx approved**
 IECEx UL 08.0017
 Ex d IIC T5
 Ex d A21 IP66 T+90C
 Tamb = -40°C TO +80°C (-40°F TO 176°F)

MODEL TUX	TEMPERATURE RANGE	
	°F	°C
TU1	-300 TO 200	-184 TO 93
TU2	-40 TO 450	-40 TO 232
TU3	-40 TO 1000	-40 TO 538

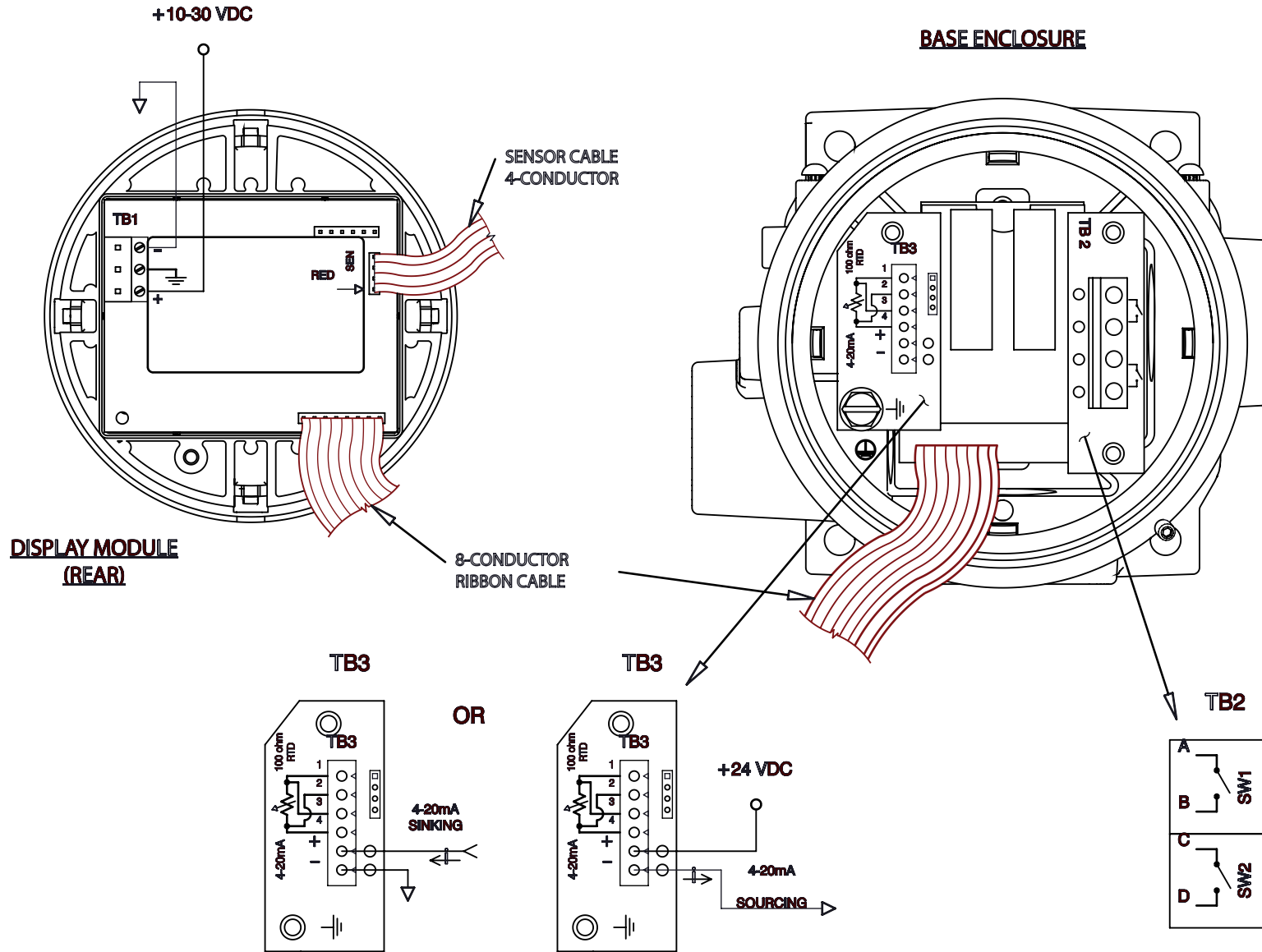
ORIGINAL DATE	4-7-09
DRWN	RAM
CHKD	PLW
APPD	R. McCAREY
UNLESS OTHERWISE SPECIFIED DIMENSIONS ARE IN INCHES	
TOLERANCES ON FRACTIONS $\pm 1/64$	
2 PLACE DEC	3 PLACE DEC
± 0.010	± 0.005
ANGLES $\pm 1/2^\circ$	
DO NOT SCALE THIS DRAWING	

TITLE	8X2D USER TEMP. SWITCH
USED ON:	SCALE 1:1

UE
 UNITED ELECTRIC CONTROLS COMPANY
 WATERTOWN * MASSACHUSETTS
 DWG NO Page 1 of 2
A-13947

THIS DOCUMENT IS PROPRIETARY PROPERTY OF UNITED ELECTRIC CONTROLS. UNAUTHORIZED USE IS STRICTLY PROHIBITED.	A	FIRST ISSUE. ECN#E3133	4-7-09	RAM	RAM
	REV.	DESCRIPTION	DATE	DRWN	APPD

RECOMMENDED WIRING SCHEME



ORIGINAL DATE	4-7-09
DRWN	RAM
CHKD	PLW
APPD	R. McCAREY
UNLESS OTHERWISE SPECIFIED DIMENSIONS ARE IN INCHES	
TOLERANCES ON FRACTIONS ±1/64	
2 PLACE DEC	3 PLACE DEC
±0.010	±0.005
ANGLES	±1/2°
DO NOT SCALE THIS DRAWING	

TITLE	8X2D USER TEMP. SWITCH
USED ON:	SCALE 1:1

UE
 UNITED ELECTRIC CONTROLS COMPANY
 WATERTOWN * MASSACHUSETTS

DWG NO Page 2 of 2

A-13947

THIS DOCUMENT IS PROPRIETARY PROPERTY OF UNITED ELECTRIC CONTROLS. UNAUTHORIZED USE IS STRICTLY PROHIBITED.	A	FIRST ISSUE. ECN#E3133	4-7-09	RAM	RAM
	REV.	DESCRIPTION	DATE	DRWN	APPD