

SPECIFICATIONS:

MECHANICAL:
 WETTED MATERIALS: USER SUPPLIED
 ENCLOSURE: TYPE 360 ALUMINUM; EPOXY POWDER COATED

SENSOR REQUIREMENT:
 USER-SUPPLIED SENSOR FOR EXPLOSION-PROOF MODELS ONLY MUST BE 4-WIRE RTD, 100 Ω PLATINUM, DIN 0.00385

ELECTRICAL:
 ELECTRICAL CONNECTION:
 POWER SUPPLY: 3 POSITION TERMINAL BLOCK, 22-14 AWG Max
 4-20 mA LOOP: 2 POSITION TERMINAL BLOCK, 26-14 AWG MAX

SWITCH SPECS:
 POWER INPUT: 2 WIRE 24 VDC ANALOG INPUT LOOP POWERED (10-36 VDC) @ 4-20mA
 SWITCH OUTPUT RATINGS:
 2XLP41 MODELS: 0 TO 140 VAC/VDC @ 0.6A, 0 mA MIN. LOAD REQUIRED.
 2XLP43 MODELS: 0 TO 280 VAC/VDC @ 0.3A, 0 mA MIN. LOAD REQUIRED

APPROVALS:

cULus LISTED
 CLASS I, DIVISION 1, GROUPS A, B, C & D;
 CLASS II, DIVISION 1, GROUPS E, F & G; CLASS III
 CLASS I, ZONE 1, AEx d IIC T5; CLASS 1, ZONE 1, Ex d IIC T5
 Tamb = -40°C TO +80°C (-40°F TO 176°F)
 ENCLOSURE TYPE 4X; IP66

ATEX APPROVED
 II 2 G Ex d IIC T5
 II 2 D Ex tD A21 IP66 T+90C
 DEMKO 09 ATEX 0813748X
 Tamb = -40°C TO +80°C (-40°F TO 176°F)

IECEx APPROVED
 IECEx UL 08.0017
 Ex d IIC T5
 Ex tD A21 IP66 T+90C
 Tamb. = -40°C TO +80°C (-40°F TO 176°F)

MODEL TUX	TEMPERATURE RANGE	
	°F	°C
TU1	-300 TO 200	-184 TO 93
TU2	-40 TO 450	-40 TO 232
TU3	-40 TO 1000	-40 TO 538

THIS DOCUMENT IS PROPRIETARY PROPERTY OF UNITED ELECTRIC CONTROLS. UNAUTHORIZED USE IS STRICTLY PROHIBITED.

REV.	DESCRIPTION	DATE	DRWN	APPD
B	ADDED SENSOR WIRING DETAILS ON PAGE 2. ECN#E4129.	8/15/11	MJF	RAM
A	FIRST ISSUE. ECN#E3133	4-7-09	RAM	RAM

ORIGINAL DATE	4-7-09
DRWN	RAM
CHKD	PLW
APPD	R. McCAREY
UNLESS OTHERWISE SPECIFIED DIMENSIONS ARE IN INCHES	
TOLERANCES ON FRACTIONS ±1/64	
2 PLACE DEC	3 PLACE DEC
±0.010	±0.005
ANGLES ±1/2°	
DO NOT SCALE THIS DRAWING	

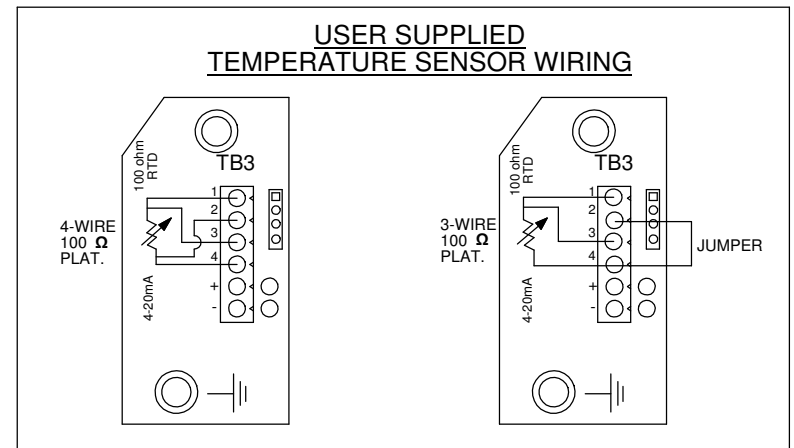
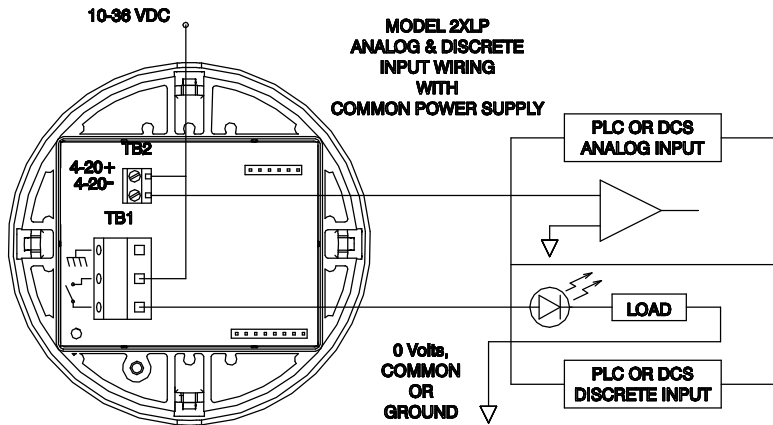
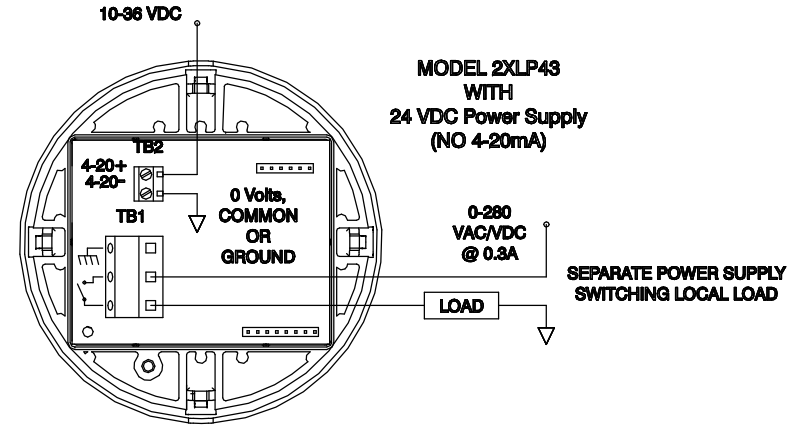
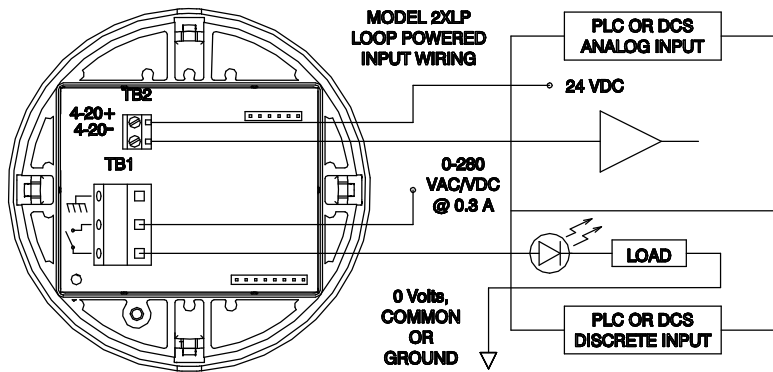
TITLE
2XLP USER TEMP. SWITCH

USED ON:
 SCALE 1:1

UNITED ELECTRIC CONTROLS COMPANY
 WATERTOWN * MASSACHUSETTS

DWG NO Page 1 of 2
A-13937

RECOMMENDED WIRING SCHEMES



THIS DOCUMENT IS PROPRIETARY PROPERTY OF UNITED ELECTRIC CONTROLS. UNAUTHORIZED USE IS STRICTLY PROHIBITED.

REV.	DESCRIPTION	DATE	DRWN	APPD
B	ADDED SENSOR WIRING DETAILS ON PAGE 2. ECN#E4129.	8/15/11	MJF	RAM
A	FIRST ISSUE. ECN#E3133	4-7-09	RAM	RAM

ORIGINAL DATE	4-7-09
DRWN	RAM
CHKD	PLW
APPD	R. McCAREY

TITLE
2XLP USER TEMP. SWITCH

UE
UNITED ELECTRIC CONTROLS COMPANY
WATERTOWN * MASSACHUSETTS

UNLESS OTHERWISE SPECIFIED DIMENSIONS ARE IN INCHES
TOLERANCES ON FRACTIONS ±1/64
2 PLACE DEC 3 PLACE DEC ANGLES ±0.010 ±0.005 ±1/2°
3 DO NOT SCALE THIS DRAWING

USED ON:
SCALE 1:1

DWG NO Page 2 of 2
A-13937