

**SPECIFICATIONS:**

**MECHANICAL:**  
 WETTED MATERIALS: 316 STAINLESS STEEL  
 ENCLOSURE: TYPE 360 ALUMINUM; EPOXY POWDER COATED

**ELECTRICAL:**  
 ELECTRICAL CONNECTION:  
 POWER SUPPLY: 3 POSITION TERMINAL BLOCK, 22-14 AWG Max  
 4-20 mA LOOP: 2 POSITION TERMINAL BLOCK, 26-14 AWG MAX

**SWITCH SPECS:**  
 POWER INPUT: 2 WIRE 24 VDC ANALOG INPUT LOOP POWERED (10-36 VDC) @ 4-20mA  
 SWITCH OUTPUT RATINGS:  
 2XLP41 MODELS: 0 TO 140 VAC/VDC @ 0.6A, 0 mA MIN. LOAD REQUIRED.  
 2XLP43 MODELS: 0 TO 280 VAC/VDC @ 0.3A, 0 mA MIN. LOAD REQUIRED

**APPROVALS:**

cULus LISTED  
 CLASS I, DIVISION 1, GROUPS A, B, C & D;  
 CLASS II, DIVISION 1, GROUPS E, F & G; CLASS III  
 CLASS I, ZONE 1, AEx d IIC T5; CLASS I, ZONE 1, Ex d IIC T5  
 Tamb = -40°C TO +80°C (-40°F TO 176°F)  
 ENCLOSURE TYPE 4X; IP66

ATEX APPROVED  
 II 2 G Ex d IIC T5  
 II 2 D Ex tD A21 IP66 T+90C  
 DEMKO 09 ATEX 0813748X  
 Tamb = -40°C TO +80°C (-40°F TO 176°F)

IECEx APPROVED  
 IECEx UL 08.0017  
 Ex d IIC T5  
 Ex tD A21 IP66 T+90C  
 Tamb. = -40°C TO +80°C (-40°F TO 176°F)

MODEL	TEMPERATURE RANGE	EXTENSION LENGTH	
		ft	[meter]
TR1	-40 TO 450°F/ -40 TO 232°C	6'	[1.8]
TRC	-40 TO 450°F/ -40 TO 232°C	UP TO 30' max. IN 1' INCREMENTS	[9.1] MAX
TH1	-40 TO 1000°F/ -40 TO 538°C	6'	[1.8]
THC	-40 TO 1000°F/ -40 TO 538°C	UP TO 30' max. IN 1' INCREMENTS	[9.1] MAX
TC1	-300 TO 200°F/ -184 TO 93°C	6'	[1.8]
TCC	-300 TO 200°F/ -184 TO 93°C	UP TO 30' max. IN 1' INCREMENTS	[9.1] MAX

ORIGINAL DATE	4-7-09
DRWN	RAM
CHKD	PLW
APPD	R. McCAREY
UNLESS OTHERWISE SPECIFIED DIMENSIONS ARE IN INCHES	
TOLERANCES ON FRACTIONS ±1/64	
2 PLACE DEC	3 PLACE DEC
±0.010	±0.005
ANGLES ±1/2°	
DO NOT SCALE THIS DRAWING	

TITLE

**2XLP  
REMOTE  
TEMP.  
SWITCH**

USED ON:

SCALE 1:1

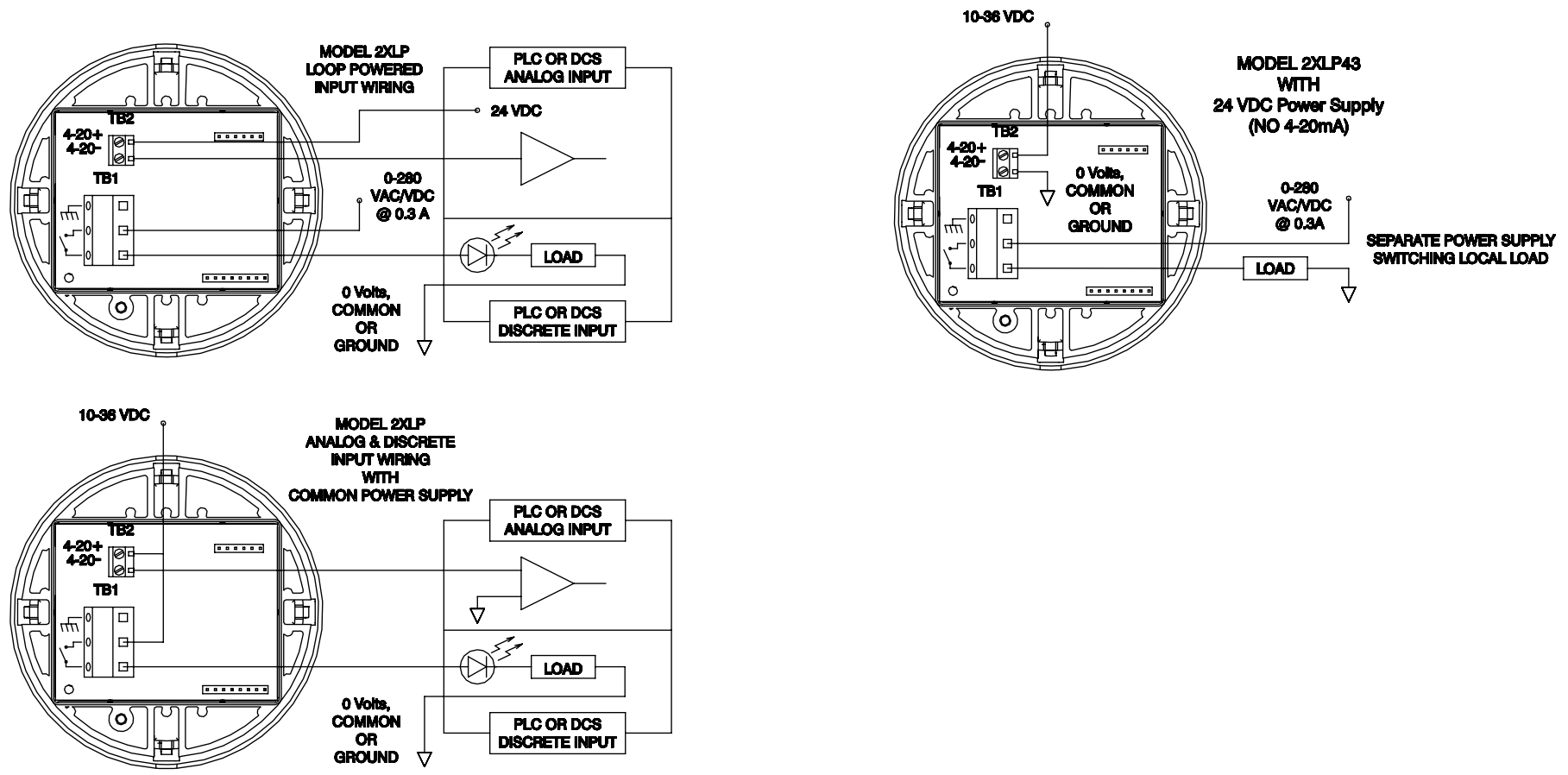
**UNITED ELECTRIC  
CONTROLS COMPANY**  
 WATERTOWN \* MASSACHUSETTS

DWG NO Page 1 of 2

**A-13936**

THIS DOCUMENT IS PROPRIETARY PROPERTY OF UNITED ELECTRIC CONTROLS. UNAUTHORIZED USE IS STRICTLY PROHIBITED.	B	ADDED MODELS TC1 & TCC TO TABLE. DELETED "TRX" FROM MODEL TITLE. ECN#E3750	9-15-10	SR	RAM
	A	FIRST ISSUE. ECN#E3133	4-7-09	RAM	RAM
	REV.	DESCRIPTION	DATE	DRWN	APPD

## RECOMMENDED WIRING SCHEMES



THIS DOCUMENT IS PROPRIETARY PROPERTY OF UNITED ELECTRIC CONTROLS. UNAUTHORIZED USE IS STRICTLY PROHIBITED.

B	SEE PG. 1 OF 2. ECN#E3750	9-15-10	SR	RAM
A	FIRST ISSUE. ECN#E3133	4-7-09	RAM	RAM
REV.	DESCRIPTION	DATE	DRWN	APPD

ORIGINAL DATE	4-7-09
DRWN	RAM
CHKD	PLW
APPD	R. McCAREY
UNLESS OTHERWISE SPECIFIED DIMENSIONS ARE IN INCHES	
TOLERANCES ON FRACTIONS ±1/64	
2 PLACE DEC ±0.010	3 PLACE DEC ±0.005
ANGLES ±1/2°	
DO NOT SCALE THIS DRAWING	

TITLE  
**2XLP  
REMOTE  
TEMP.  
SWITCH**

USED ON:  
SCALE 1:1



**UNITED ELECTRIC  
CONTROLS COMPANY**  
WATERTOWN \* MASSACHUSETTS

DWG NO A-13936 Page 2 of 2