

DISPLAY CAN BE ROTATED UP TO 180° BOTH DIRECTIONS

A-13933

**SPECIFICATIONS:**

- MECHANICAL:**  
 WETTED MATERIALS: 316 STAINLESS STEEL  
 ENCLOSURE: TYPE 360 ALUMINUM; EPOXY POWDER COATED
- ELECTRICAL:**  
 ELECTRICAL CONNECTION:  
 POWER SUPPLY: 3 POSITION TERMINAL BLOCK, 22-14 AWG Max  
 4-20 mA LOOP: 2 POSITION TERMINAL BLOCK, 26-14 AWG MAX
- SWITCH SPECS:**  
 POWER INPUT: 2 WIRE 24 VDC ANALOG INPUT LOOP POWERED (10-36 VDC) @ 4-20mA  
 SWITCH OUTPUT RATINGS:  
 2XLP41 MODELS: 0 TO 140 VAC/VDC @ 0.6A, 0 mA MIN. LOAD REQUIRED.  
 2XLP43 MODELS: 0 TO 280 VAC/VDC @ 0.3A, 0 mA MIN. LOAD REQUIRED

**APPROVALS:**

cULus LISTED  
 CLASS I, DIVISION 1, GROUPS A, B, C & D;  
 CLASS II, DIVISION 1, GROUPS E, F & G; CLASS III  
 CLASS I, ZONE 1, AEx d IIC T5; CLASS 1, ZONE 1, Ex d IIC T5  
 Tamb = -40°C TO +80°C (-40°F TO 176°F)  
 ENCLOSURE TYPE 4X; IP66

ATEX APPROVED  
 II 2 G Ex d IIC T5  
 II 2 D Ex tD A21 IP66 T+90C  
 DEMKO 09 ATEX 0813748X  
 Tamb = -40°C TO +80°C (-40°F TO 176°F)

IECEx APPROVED  
 IECEx UL 08.0017  
 Ex d IIC T5  
 Ex tD A21 IP66 T+90C  
 Tamb. = -40°C TO +80°C (-40°F TO 176°F)

MODEL XXX	OPERATING RANGE			MAX. OVER PRESSURE		MAX. WORKING PRESSURE	
	LOW psi/bar	HIGH psi	bar	psi	bar	psi	bar
K10	0	5	0.3	10	0.7	50	3.4
K11	0	50	3.4	100	6.9	500	34.5
K12	0	100	6.9	200	13.8	1500	103.4
K13	0	200	13.8	400	27.6	1500	103.4

THIS DOCUMENT IS PROPRIETARY PROPERTY OF UNITED ELECTRIC CONTROLS. UNAUTHORIZED USE IS STRICTLY PROHIBITED.

REV.	DESCRIPTION	DATE	DRWN	APPD
B	K12 & K13: MAX WORKING PRESSURE WAS 68.9 bar. ECN# E4062.	5/31/11	MJF	RAM
A	FIRST ISSUE. ECN#E3133	4-7-09	RAM	RAM

ORIGINAL DATE	4-7-09
DRWN	RAM
CHKD	PLW
APPD	R. McCAREY
UNLESS OTHERWISE SPECIFIED DIMENSIONS ARE IN INCHES	
TOLERANCES ON FRACTIONS ±1/64	
2 PLACE DEC	3 PLACE DEC
±0.010	±0.005
ANGLES ±1/2°	
DO NOT SCALE THIS DRAWING	

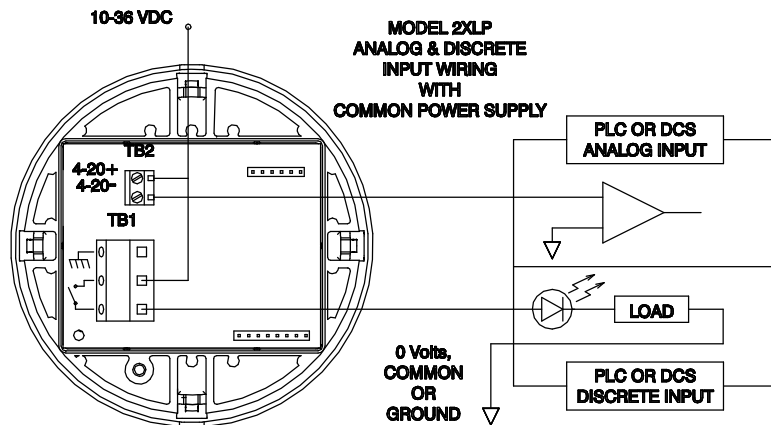
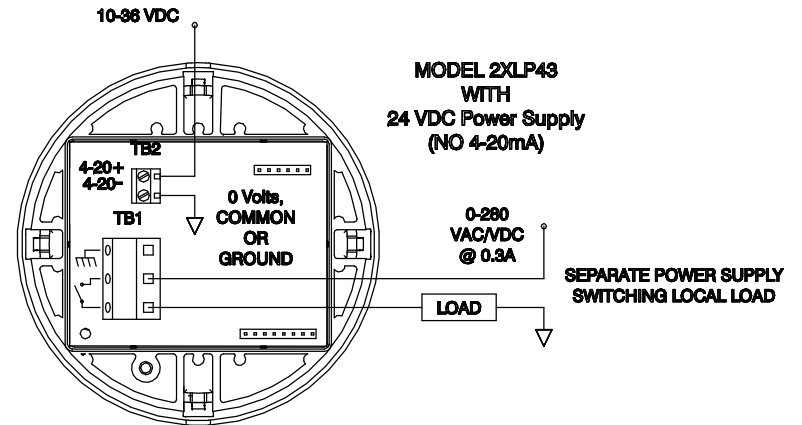
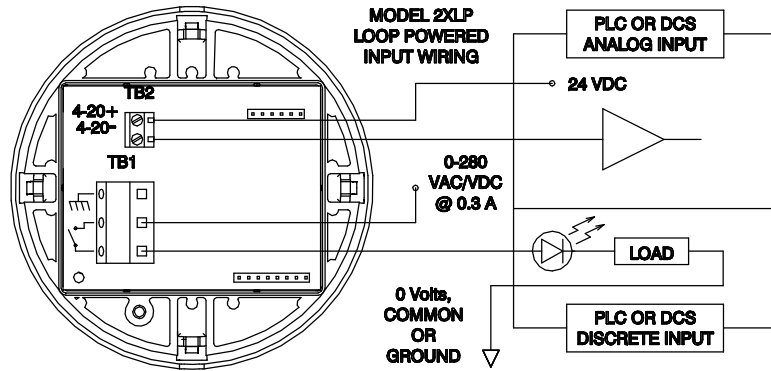
TITLE  
**2XLP DIFF. PRESSURE SWITCH**

USED ON:  
 SCALE 1:1

UNITED ELECTRIC CONTROLS COMPANY  
 WATERTOWN \* MASSACHUSETTS

DWG NO Page 1 of 2  
**A-13933**

### RECOMMENDED WIRING SCHEMES



THIS DOCUMENT IS PROPRIETARY PROPERTY OF UNITED ELECTRIC CONTROLS. UNAUTHORIZED USE IS STRICTLY PROHIBITED.

REV.	DESCRIPTION	DATE	DRWN	APPD
B	K12 & K13: MAX WORKING PRESSURE WAS 68.9 bar. ECN# E4062.	5/31/11	MJF	RAM
A	FIRST ISSUE. ECN#E3133	4-7-09	RAM	RAM

ORIGINAL DATE	4-7-09
DRWN	RAM
CHKD	PLW
APPD	R. McCAREY
UNLESS OTHERWISE SPECIFIED DIMENSIONS ARE IN INCHES	
TOLERANCES ON FRACTIONS ±1/64	
2 PLACE DEC ±0.010	3 PLACE DEC ±0.005
ANGLES	±1/2°
DO NOT SCALE THIS DRAWING	

TITLE  
**2XLP DIFF. PRESSURE SWITCH**

USED ON:  
SCALE 1:1

UNITED ELECTRIC CONTROLS COMPANY  
WATERTOWN \* MASSACHUSETTS

DWG NO  Page 2 of 2

**A-13933**