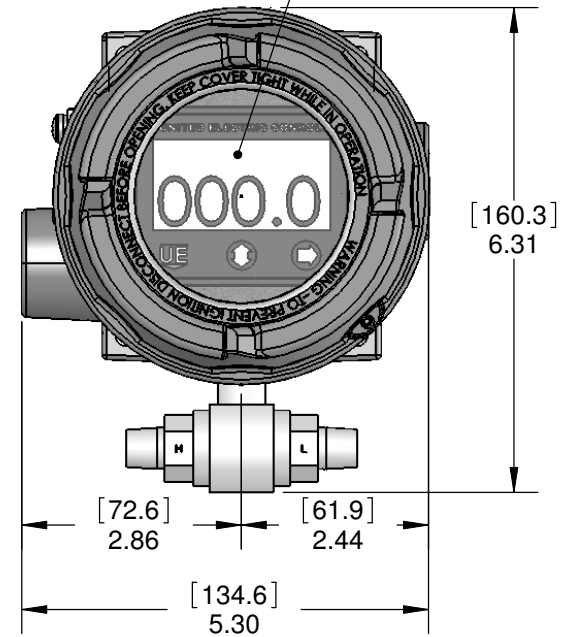


DISPLAY CAN BE ROTATED UP TO 180° BOTH DIRECTIONS



SPECIFICATIONS:

MECHANICAL:

WETTED MATERIALS: 316 STAINLESS STEEL
ENCLOSURE: TYPE 360 ALUMINUM; EPOXY POWDER COATED

ELECTRICAL:

ELECTRICAL CONNECTION:
3 POSITION TERMINAL BLOCK, 22-14 AWG Max
SWITCH SPECS:

POWER INPUT: 2 WIRE 120 V DISCRETE INPUT POWERED (90-130 VAC/VDC) @ 1mA
SWITCH OUTPUT: 90 TO 130 VAC/VDC @ 0.1A, 3.75mA MIN. LOAD REQUIRED
SWITCH STATE MAX : 90-130 VAC/VDC @ 1mA (V. OPEN)
13 VAC/VDC @ 100mA (V. CLOSED)

APPROVALS:

cULus LISTED
CLASS I, DIVISION 1, GROUPS A, B, C & D;
CLASS II, DIVISION 1, GROUPS E, F & G; CLASS III
CLASS I, ZONE 1, AEx d IIC T5; CLASS 1, ZONE 1, Ex d IIC T5
Tamb = -40°C TO +85°C (-40°F TO 185°F)
ENCLOSURE TYPE 4X; IP66

ATEX APPROVED
II 2 G Ex d IIC T5
II 2 D Ex tD A21 IP66 T+90C
DEMKO 09 ATEX 0813748X
Tamb = -40°C TO +85°C (-40°F TO 185°F)

IECEX APPROVED
IECEX UL 08.0017
Ex d IIC T5
Ex tD A21 IP66 T+90C
Tamb. = -40°C TO +85°C (-40°F TO 185°F)

MODEL KXX	OPERATING RANGE		MAX. OVER PRESSURE		MAX. WORKING PRESSURE		
	LOW psi/bar	HIGH psi bar	psi	bar	psi	bar	
K10	0	5	0.3	10	0.7	50	3.4
K11	0	50	3.4	100	6.9	500	34.5
K12	0	100	6.9	200	13.8	1500	103.4
K13	0	200	13.8	400	27.6	1500	103.4

THIS DOCUMENT IS PROPRIETARY PROPERTY OF UNITED ELECTRIC CONTROLS. UNAUTHORIZED USE IS STRICTLY PROHIBITED.

REV.	DESCRIPTION	DATE	DRWN	APPD
C	K12 & K13: MAX WORKING PRESSURE WAS 68.9 bar. ECN# E4062.	5/31/11	MJF	RAM
B	SEE PG. 2 OF 2. ECN#E3750	9-15-10	SR	RAM
A	FIRST ISSUE. ECN#E3133	4-7-09	RAM	RAM

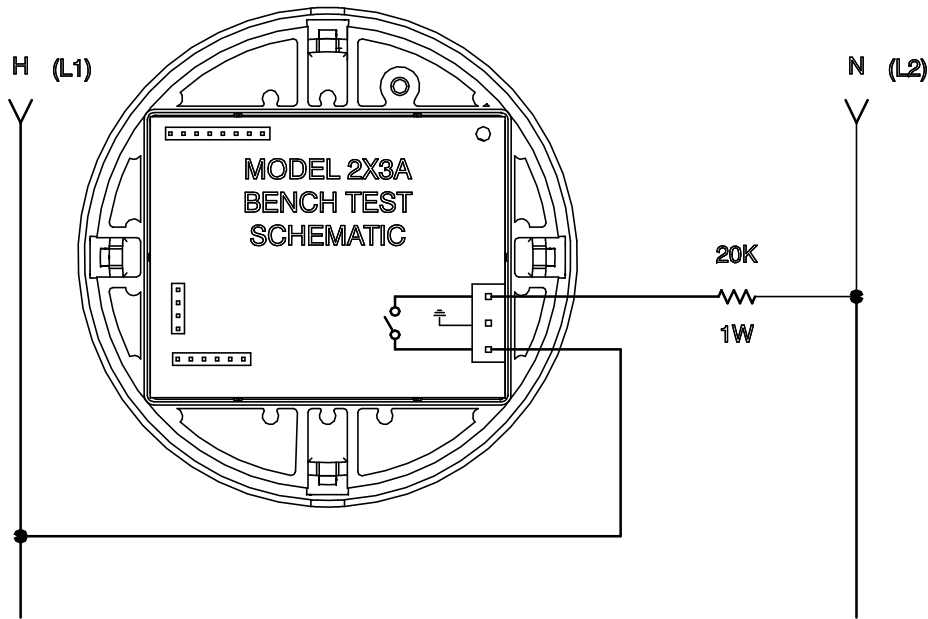
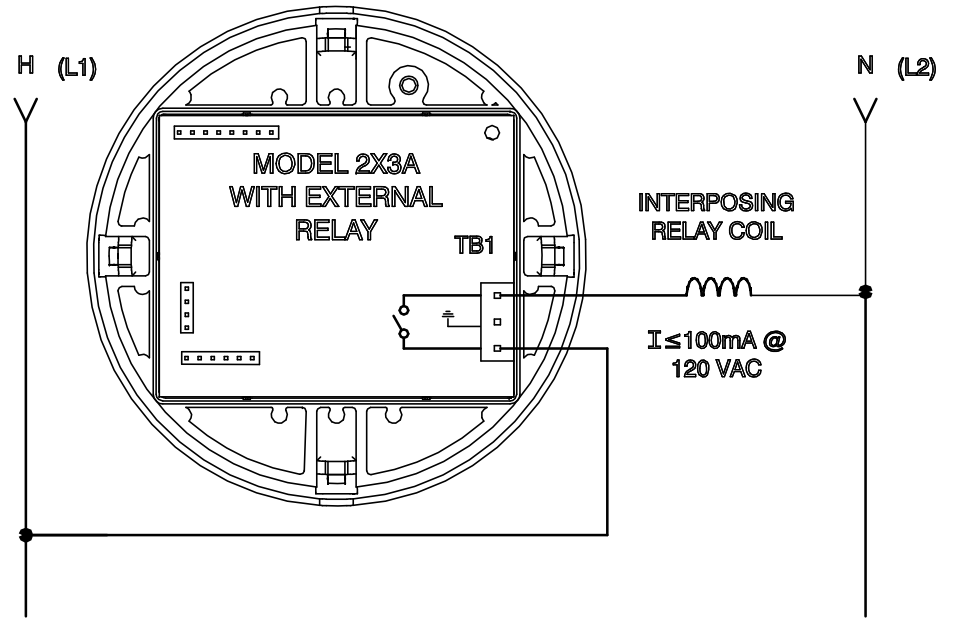
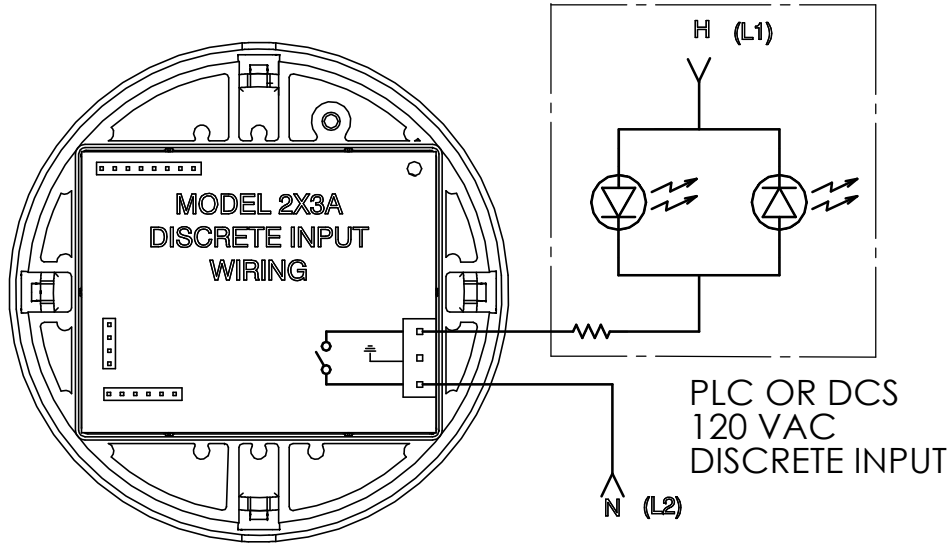
ORIGINAL DATE	4-7-09
DRWN	RAM
CHKD	PLW
APPD	R. McCAREY
UNLESS OTHERWISE SPECIFIED DIMENSIONS ARE IN INCHES	
TOLERANCES ON FRACTIONS ±1/64	
2 PLACE DEC ±0.010	3 PLACE DEC ±0.005
ANGLES ±1/2°	
DO NOT SCALE THIS DRAWING	

TITLE	2X3A DIFF. PRESSURE SWITCH
USED ON:	SCALE 1:1

UNITED ELECTRIC CONTROLS COMPANY
WATERTOWN * MASSACHUSETTS

DWG NO Page 1 of 2
A-13928

RECOMMENDED WIRING SCHEMES



**WARNING: AGENCY CRITICAL DOCUMENT.
NO REVISIONS WITHOUT CERTIFICATION
ENGINEER APPROVAL**

ORIGINAL DATE	4-7-09
DRWN	RAM
CHKD	PLW
APPD	R. McCAREY

TITLE
**2X3A DIFF.
PRESSURE
SWITCH**

UE
UNITED ELECTRIC
CONTROLS COMPANY
WATERTOWN * MASSACHUSETTS

REV.	DESCRIPTION	DATE	DRWN	APPD
C	K12 & K13: MAX WORKING PRESSURE WAS 68.9 bar. ECN# E4062.	5/31/11	MJF	RAM
B	REVISED "PLC OR DCS" WIRING DIAGRAM TO BE VISIBLE IN PDF FILE. ECN#E3750	9-15-10	SR	RAM
A	FIRST ISSUE. ECN#E3133	4-7-09	RAM	RAM

UNLESS OTHERWISE SPECIFIED
DIMENSIONS ARE IN INCHES
TOLERANCES ON FRACTIONS $\pm 1/64$
2 PLACE DEC ± 0.010 3 PLACE DEC ± 0.005 ANGLES $\pm 1/2^\circ$
DO NOT SCALE THIS DRAWING

USED ON:
SCALE 1:1

DWG NO Page 2 of 2
A-13928