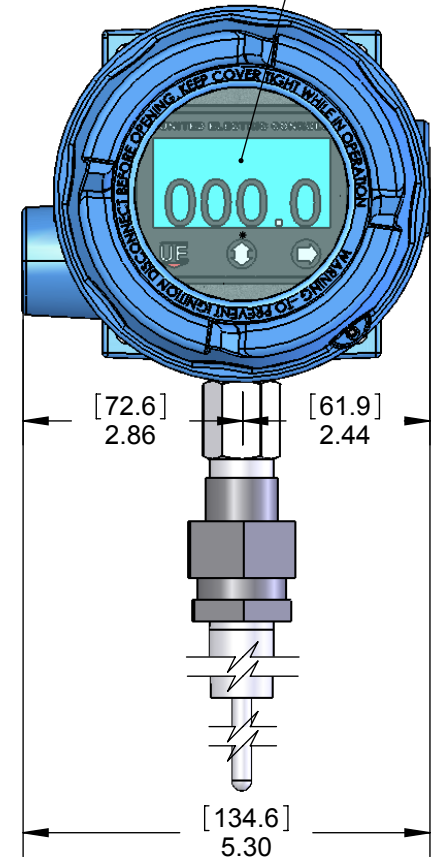


DISPLAY CAN BE ROTATED 180° BOTH DIRECTIONS

A-13925



SPECIFICATIONS:

MECHANICAL:
 WETTED MATERIALS: 316 STAINLESS STEEL
 ENCLOSURE: TYPE 360 ALUMINUM; EPOXY POWDER COATED

ELECTRICAL:
 ELECTRICAL CONNECTION:
 3 POSITION TERMINAL BLOCK, 22-14 AWG Max

SWITCH SPECS:
 POWER INPUT: 2 WIRE 48 VDC DISCRETE INPUT POWERED (30-50 VDC) @ 750µA
 SWITCH OUTPUT: 30 TO 50 VDC @ 40mA, 2.0mA MIN. LOAD REQUIRED
 SWITCH STATE MAX : 30-50 VDC @ 1mA (V. OPEN)
 5.0VDC @40 mA (V. CLOSED)

APPROVALS:

cULus LISTED
 CLASS I, DIVISION 1, GROUPS A, B, C & D;
 CLASS II, DIVISION 1, GROUPS E, F & G; CLASS III
 CLASS I, ZONE 1, AEx d IIC T5; CLASS 1, ZONE 1, Ex d IIC T5
 Tamb = -40°C TO +85°C (-40°F TO 185°F)
 ENCLOSURE TYPE 4X; IP66

ATEX APPROVED
 II 2 G Ex d IIC T5
 II 2 D Ex td A21 IP66 T+90C
 DEMKO 09 ATEX 0813748X
 Tamb = -40°C TO +85°C (-40°F TO 185°F)

IECEx APPROVED
 IECEx UL 08.0017
 Ex d IIC T5
 Ex td A21 IP66 T+90C
 Tamb. = -40°C TO +85°C (-40°F TO 185°F)

MODEL TTC	TEMPERATURE RANGE	EXTENSION LENGTH	
		INCHES	[cm]
N-U-N LENGTH	-40 TO 900°F / -40 TO 482°C	4"-10" IN 1 INCH INCREMENTS	[10.1-25.4]
SHEATH LENGTH "L"	-40 TO 900°F / -40 TO 482°C	UP TO 60" MAX	[152.4] MAX

THIS DOCUMENT IS PROPRIETARY PROPERTY OF UNITED ELECTRIC CONTROLS. UNAUTHORIZED USE IS STRICTLY PROHIBITED.

A	FIRST ISSUE. ECN#E3133	4-7-09	RAM	RAM
REV.	DESCRIPTION	DATE	DRWN	APPD

ORIGINAL DATE	4-7-09
DRWN	RAM
CHKD	RAM
APPD	R. McCAREY
UNLESS OTHERWISE SPECIFIED DIMENSIONS ARE IN INCHES	
TOLERANCES ON FRACTIONS ±1/64	
2 PLACE DEC	3 PLACE DEC
±0.010	±0.005
ANGLES	±1/2°
DO NOT SCALE THIS DRAWING	

TITLE
2X4D SPRING LOADED TEMP. SWITCH

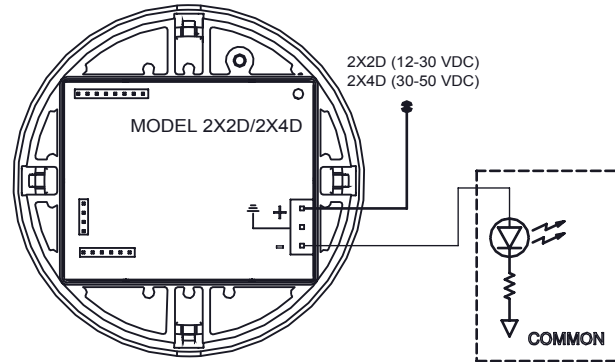
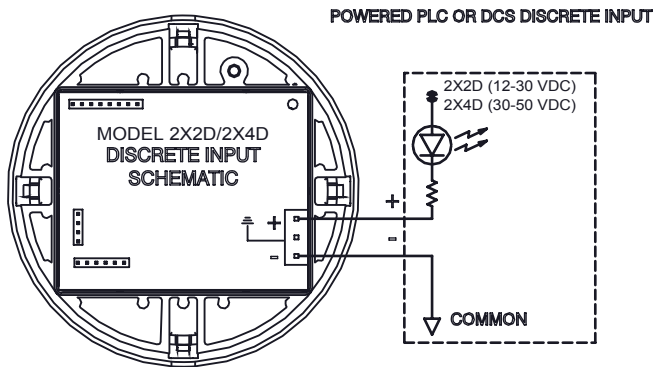
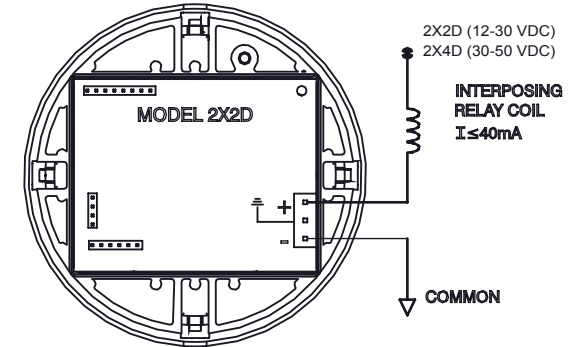
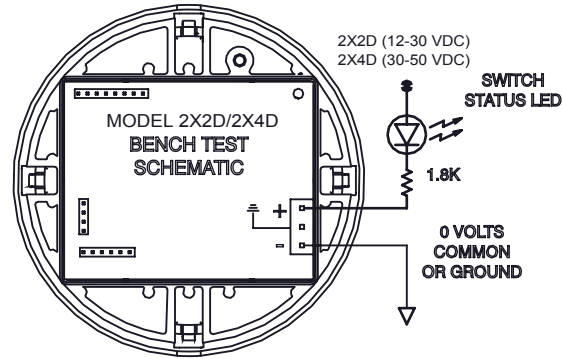
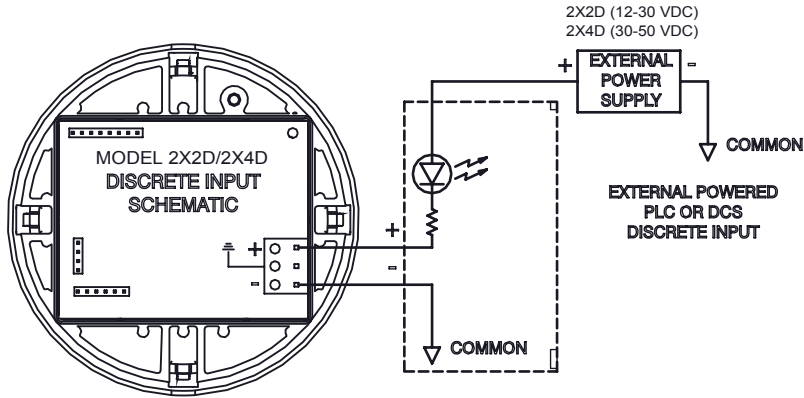
USED ON:
 SCALE 1:1

UNITED ELECTRIC CONTROLS COMPANY
 WATERTOWN * MASSACHUSETTS

DWG NO Page 1 of 2
A-13925

RECOMMENDED WIRING SCHEMES

A-13925



ORIGINAL DATE	4-7-09		
DRWN	RAM		
CHKD	RAM		
APPD	R. McCAREY		
UNLESS OTHERWISE SPECIFIED DIMENSIONS ARE IN INCHES TOLERANCES ON FRACTIONS ±1/64			
2 PLACE DEC	3 PLACE DEC	ANGLES	
±0.010	±0.005	±1/2°	
DO NOT SCALE THIS DRAWING			

TITLE	2X4D SPRING LOADED TEMP. SWITCH
USED ON:	
SCALE	1:1



**UNITED ELECTRIC
CONTROLS COMPANY**
WATERTOWN * MASSACHUSETTS

DWG NO A-13925 Page 2 of 2

THIS DOCUMENT IS PROPRIETARY PROPERTY OF UNITED ELECTRIC CONTROLS. UNAUTHORIZED USE IS STRICTLY PROHIBITED.

A	FIRST ISSUE. ECN#E3133	4-7-09	RAM	RAM
REV.	DESCRIPTION	DATE	DRWN	APPD