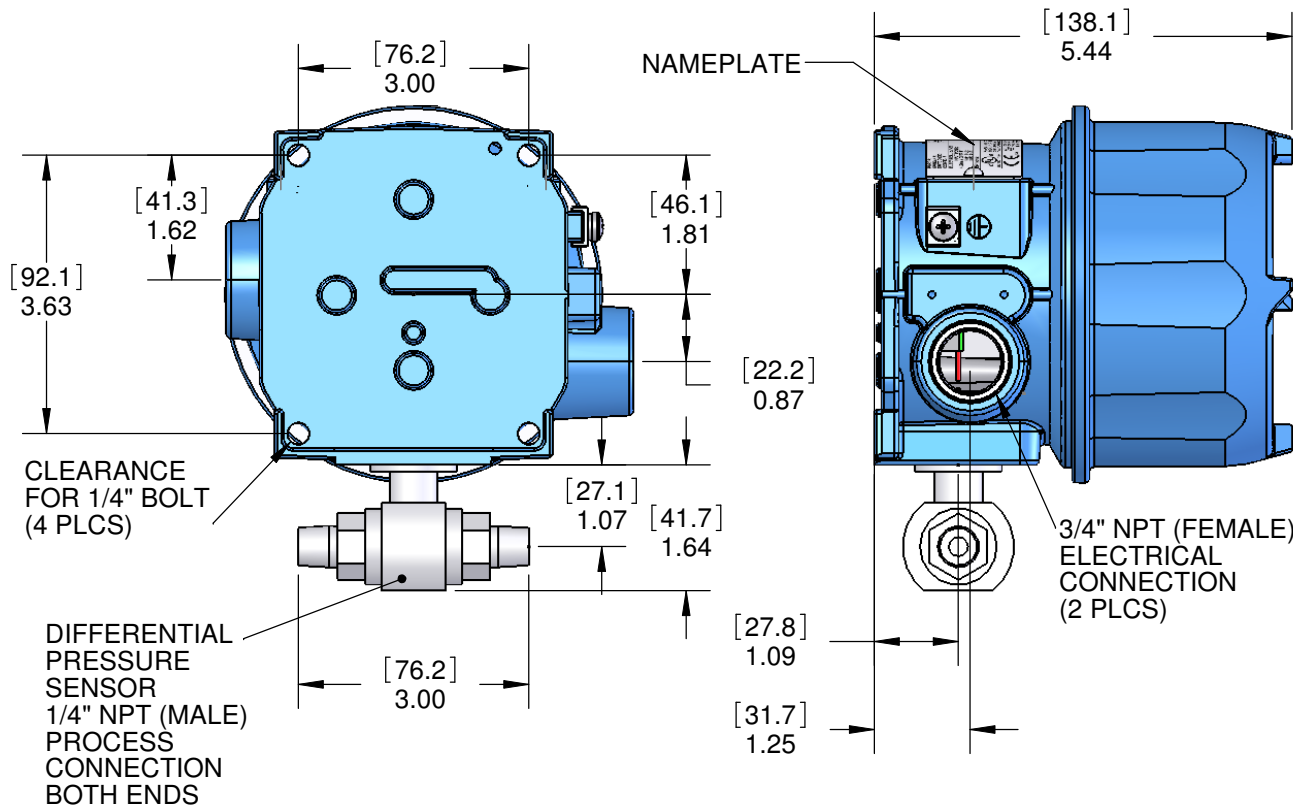
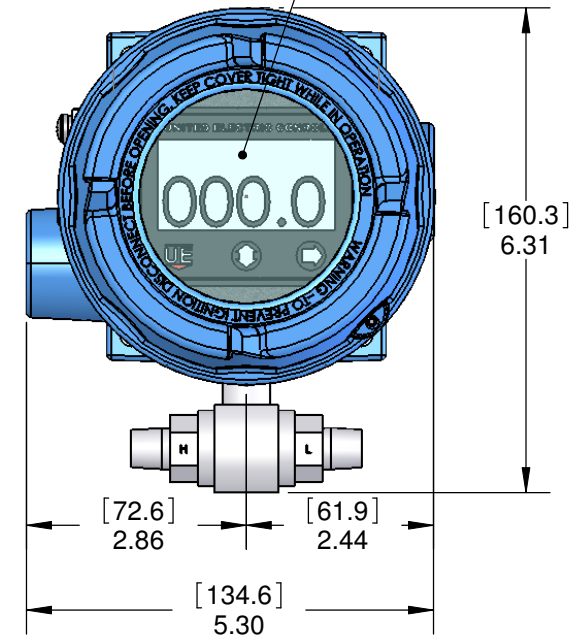


A-13923



DISPLAY CAN BE ROTATED UP TO 180° BOTH DIRECTIONS



**SPECIFICATIONS:**

- MECHANICAL:**  
 WETTED MATERIALS: 316 STAINLESS STEEL  
 ENCLOSURE: TYPE 360 ALUMINUM; EPOXY POWDER COATED
- ELECTRICAL:**  
 ELECTRICAL CONNECTION:  
 3 POSITION TERMINAL BLOCK, 22-14 AWG Max
- SWITCH SPECS:**  
 POWER INPUT: 2 WIRE 48 VDC DISCRETE INPUT POWERED (30-50 VDC) @ 750µA  
 SWITCH OUTPUT: 30 TO 50 VDC @ 40mA, 2.0mA MIN. LOAD REQUIRED  
 SWITCH STATE MAX : 30-50 VDC @ 1mA (V. OPEN)  
 5.0VDC @40 mA (V. CLOSED)

**APPROVALS:**

- cULus LISTED**  
 CLASS I, DIVISION 1, GROUPS A, B, C & D;  
 CLASS II, DIVISION 1, GROUPS E, F & G; CLASS III  
 CLASS I, ZONE 1, AEx d IIC T5; CLASS 1, ZONE 1, Ex d IIC T5  
 Tamb= -40°C TO +85°C (-40°F TO 185°F)  
 ENCLOSURE TYPE 4X; IP66
- ATEX APPROVED**  
 II 2 G Ex d IIC T5  
 II 2 D Ex d A21 IP66 T+90C  
 DEMKO 09 ATEX 0813748X  
 Tamb = -40°C TO +85°C (-40°F TO 185°F)
- IECEX APPROVED**  
 IECEX UL 08.0017  
 Ex d IIC T5  
 Ex d A21 IP66 T+90C  
 Tamb. = -40°C TO +85°C (-40°F TO 185°F)

MODEL KXX	OPERATING RANGE			MAX. OVER PRESSURE		MAX. WORKING PRESSURE	
	LOW psi/bar	HIGH psi	psi bar	psi	bar	psi	bar
K10	0	5	0.3	10	0.7	50	3.4
K11	0	50	3.4	100	6.9	500	34.5
K12	0	100	6.9	200	13.8	1500	103.4
K13	0	200	13.8	400	27.6	1500	103.4

THIS DOCUMENT IS PROPRIETARY PROPERTY OF UNITED ELECTRIC CONTROLS. UNAUTHORIZED USE IS STRICTLY PROHIBITED.

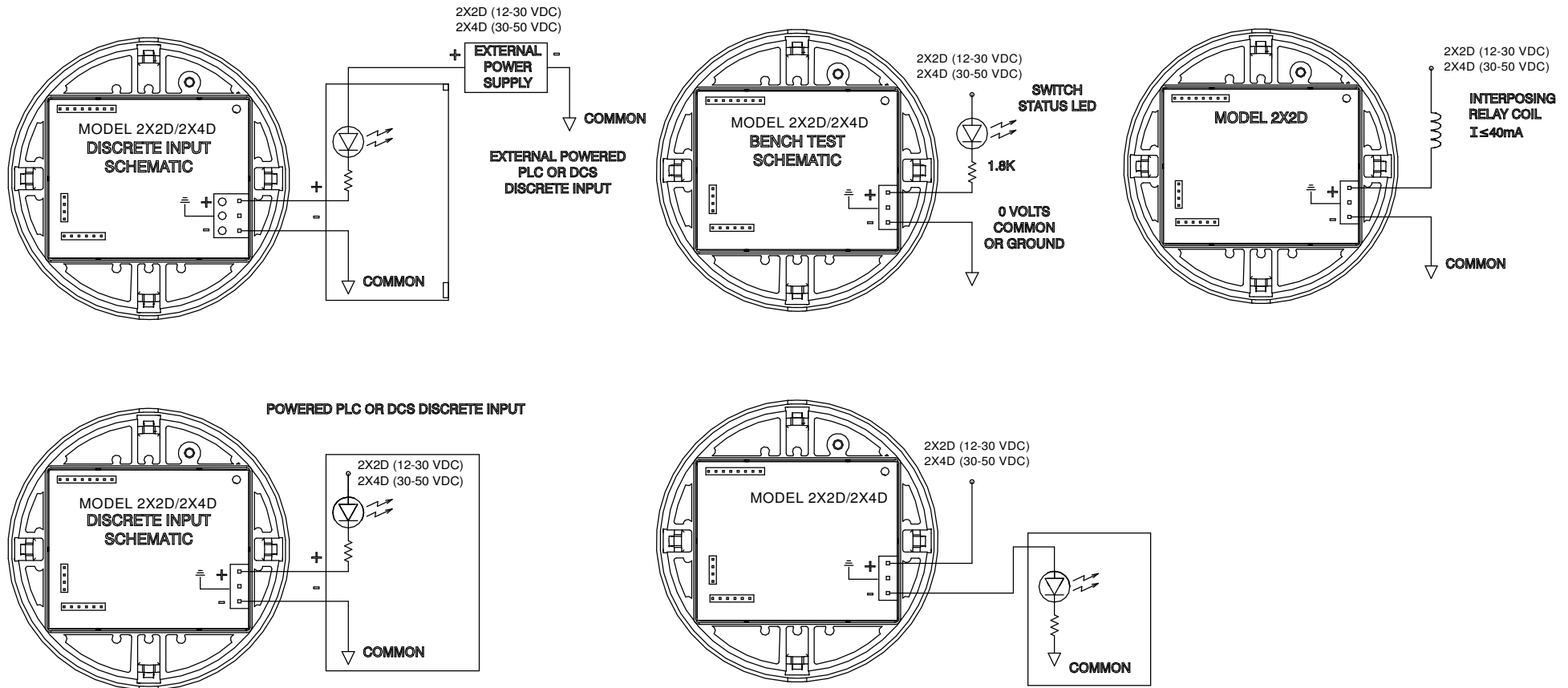
REV.	DESCRIPTION	DATE	DRWN	APPD
B	K12 & K13: MAX WORKING PRESSURE WAS 68.9 bar. ECN# E4062.	5/31/11	MJF	RAM
A	FIRST ISSUE. ECN#E3133	4-7-09	RAM	RAM

ORIGINAL DATE	4-7-09
DRWN	RAM
CHKD	RAM
APPD	R. McCAREY
UNLESS OTHERWISE SPECIFIED DIMENSIONS ARE IN INCHES	
TOLERANCES ON FRACTIONS ±1/64	
2 PLACE DEC ±0.010	3 PLACE DEC ±0.005
ANGLES ±1/2°	
DO NOT SCALE THIS DRAWING	

TITLE	2X4D DIFF. PRESSURE SWITCH
USED ON:	SCALE 1:1

UNITED ELECTRIC CONTROLS COMPANY  
 WATERTOWN \* MASSACHUSETTS  
 DWG NO Page 1 of 2  
**A-13923**

## RECOMMENDED WIRING SCHEMES



THIS DOCUMENT IS PROPRIETARY PROPERTY OF UNITED ELECTRIC CONTROLS. UNAUTHORIZED USE IS STRICTLY PROHIBITED.

REV.	DESCRIPTION	DATE	DRWN	APPD
B	K12 & K13: MAX WORKING PRESSURE WAS 68.9 bar. ECN# E4062.	5/31/11	MJF	RAM
A	FIRST ISSUE. ECN#E3133	4-7-09	RAM	RAM

ORIGINAL DATE	4-7-09
DRWN	RAM
CHKD	RAM
APPD	R. McCAREY
UNLESS OTHERWISE SPECIFIED DIMENSIONS ARE IN INCHES	
TOLERANCES ON FRACTIONS ±1/64	
2 PLACE DEC ±0.010	3 PLACE DEC ±0.005
ANGLES ±1/2°	
DO NOT SCALE THIS DRAWING	

TITLE	2X4D DIFF. PRESSURE SWITCH
USED ON:	
SCALE	1:1

UNITED ELECTRIC CONTROLS COMPANY  
WATERTOWN \* MASSACHUSETTS

DWG NO A-13923 Page 2 of 2