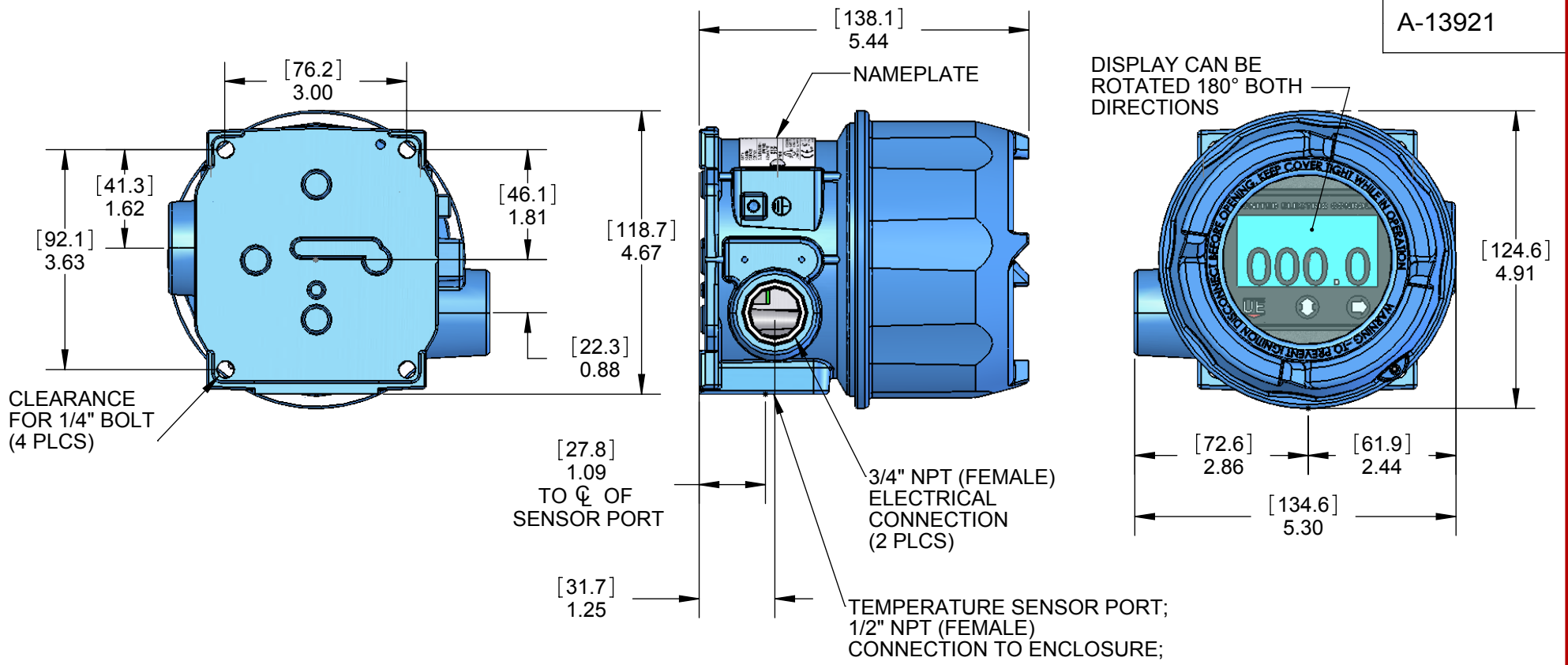


A-13921



SPECIFICATIONS:

MECHANICAL:
 WETTED MATERIALS: USER SUPPLIED
 ENCLOSURE: TYPE 360 ALUMINUM; EPOXY POWDER COATED

SENSOR REQUIREMENT:
 USER-SUPPLIED SENSOR FOR EXPLOSION-PROOF MODELS ONLY MUST BE 4-WIRE RTD, 100 Ω PLATINUM, DIN 0.00385

ELECTRICAL:
 ELECTRICAL CONNECTION:
 3 POSITION TERMINAL BLOCK, 22-14 AWG Max

SWITCH SPECS:
 POWER INPUT: 2 WIRE 24 VDC DISCRETE INPUT POWERED (12-30 VDC) @750µA
 SWITCH OUTPUT: 12 TO 30 VDC @ 40mA, 2.3 mA MIN. LOAD REQUIRED.
 SWITCH STATE MAX.: 12-30 VDC @750 µA (V. OPEN)
 4.7 VDC @40 mA (V. CLOSED)

APPROVALS:

cULus LISTED
 CLASS I, DIVISION 1, GROUPS A, B, C & D;
 CLASS II, DIVISION 1, GROUPS E, F & G; CLASS III
 CLASS I, ZONE 1, AEx d IIC T5; CLASS 1, ZONE 1, Ex d IIC T5
 Tamb = -40°C TO +85°C (-40°F TO 185°F)
 ENCLOSURE TYPE 4X; IP66

ATEX APPROVED
 II 2 G Ex d IIC T5
 II 2 D Ex ID A21 IP66 T+90C
 DEMKO 09 ATEX 0813748X
 Tamb = -40°C TO +85°C (-40°F TO 185°F)

IECEx APPROVED
 IECEx UL 08:0017
 Ex d IIC T5
 Ex ID A21 IP66 T+90C
 Tamb. = -40°C TO +85°C (-40°F TO 185°F)

MODEL TUX	TEMPERATURE RANGE	
	°F	°C
TU1	-300 TO 200	-184 TO 93
TU2	-40 TO 450	-40 TO 232
TU3	-40 TO 1000	-40 TO 538

ORIGINAL DATE	4-7-09
DRWN	RAM
CHKD	PLW
APPD	R. McCAREY
UNLESS OTHERWISE SPECIFIED DIMENSIONS ARE IN INCHES TOLERANCES ON FRACTIONS ±1/64	
2 PLACE DEC ±0.010	3 PLACE DEC ±0.005
ANGLES ±1/2°	
DO NOT SCALE THIS DRAWING	

TITLE
2X2D USER TEMP. SWITCH

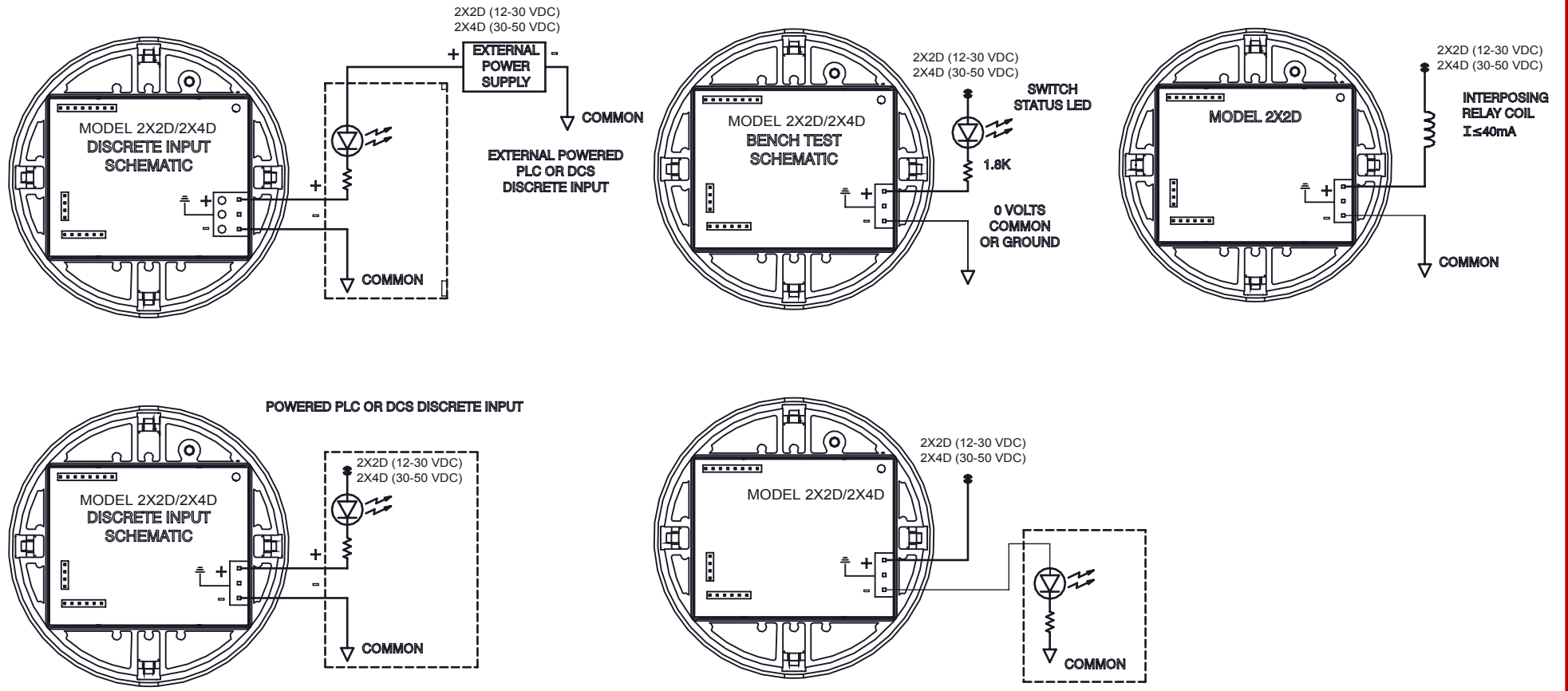
USED ON:
 SCALE 1:1

UNITED ELECTRIC CONTROLS COMPANY
 WATERTOWN * MASSACHUSETTS

DWG NO Page 1 of 2
A-13921

THIS DOCUMENT IS PROPRIETARY PROPERTY OF UNITED ELECTRIC CONTROLS. UNAUTHORIZED USE IS STRICTLY PROHIBITED.	A	FIRST ISSUE. ECN#E3133	4-7-09	RAM	RAM
	REV.	DESCRIPTION	DATE	DRWN	APPD

RECOMMENDED WIRING SCHEMES



ORIGINAL DATE	4-7-09
DRWN	RAM
CHKD	PLW
APPD	R. McCAREY
UNLESS OTHERWISE SPECIFIED DIMENSIONS ARE IN INCHES	
TOLERANCES ON FRACTIONS ±1/64	
2 PLACE DEC	3 PLACE DEC
±0.010	±0.005
ANGLES	±1/2°
DO NOT SCALE THIS DRAWING	

TITLE	2X2D USER TEMP. SWITCH
USED ON:	
SCALE	1:1

UNITED ELECTRIC CONTROLS COMPANY
WATERTOWN * MASSACHUSETTS

DWG NO Page 2 of 2
A-13921

THIS DOCUMENT IS PROPRIETARY PROPERTY OF UNITED ELECTRIC CONTROLS. UNAUTHORIZED USE IS STRICTLY PROHIBITED.

A	FIRST ISSUE. ECN#E3133	4-7-09	RAM	RAM
REV.	DESCRIPTION	DATE	DRWN	APPD