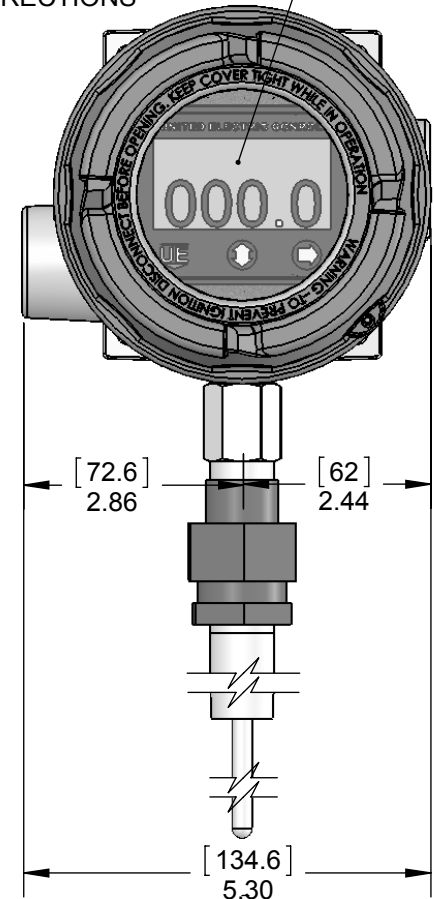


DISPLAY CAN BE ROTATED 180° BOTH DIRECTIONS

A-13919



**SPECIFICATIONS:**

**MECHANICAL:**  
 WETTED MATERIALS: 316 STAINLESS STEEL  
 ENCLOSURE: TYPE 360 ALUMINUM; EPOXY POWDER COATED

**ELECTRICAL:**  
 ELECTRICAL CONNECTION:  
 3 POSITION TERMINAL BLOCK, 22-14 AWG Max

**SWITCH SPECS:**  
 POWER INPUT: 2 WIRE 24 VDC DISCRETE INPUT POWERED (12-30 VDC) @750µA  
 SWITCH OUTPUT: 12 TO 30 VDC @ 40mA, 2.3 mA MIN. LOAD REQUIRED.  
 SWITCH STATE MAX.: 12-30 VDC @ 750 µA (V. OPEN)  
 4.7 VDC @ 40 mA (V. CLOSED)

**APPROVALS:**

cULus LISTED  
 CLASS I, DIVISION 1, GROUPS A, B, C & D;  
 CLASS II, DIVISION 1, GROUPS E, F & G; CLASS III  
 CLASS I, ZONE 1, AEx d IIC T5; CLASS 1, ZONE 1, Ex d IIC T5  
 Tamb = -40°C TO +85°C (-40°F TO 185°F)  
 ENCLOSURE TYPE 4X; IP66

ATEX APPROVED  
 II 2 G Ex d IIC T5  
 II 2 D Ex ID A21 IP66 T+90C  
 DEMKO 09 ATEX 0813748X  
 Tamb = -40°C TO +85°C (-40°F TO 185°F)

IECEX APPROVED  
 IECEX UL 08.0017  
 Ex d IIC T5  
 Ex ID A21 IP66 T+90C  
 Tamb. = -40°C TO +85°C (-40°F TO 185°F)

MODEL TTC	TEMPERATURE RANGE	EXTENSION LENGTH	
		INCHES	[cm]
N-U-N LENGTH	-40 TO 900°F -40 TO 482°C	4"-10" IN 1 INCH INCREMENTS	[10.1-25.4]
SHEATH LENGTH "L"	-40 TO 900°F -40 TO 482°C	UP TO 60" MAX	[152.4] MAX

THIS DOCUMENT IS PROPRIETARY PROPERTY OF UNITED ELECTRIC CONTROLS. UNAUTHORIZED USE IS STRICTLY PROHIBITED.

REV.	DESCRIPTION	DATE	DRWN	APPD
B	CORRECTED DIMENSIONS FOR ENCLOSURE REDESIGN. ECN# E5348	01/22/15	VIK	ASK
A	FIRST ISSUE. ECN#E3133	4-7-09	RAM	RAM

ORIGINAL DATE	4-7-09
DRWN	RAM
CHKD	PLW
APPD	R. McCAREY
UNLESS OTHERWISE SPECIFIED DIMENSIONS ARE IN INCHES TOLERANCES ON FRACTIONS ±1/64 2 PLACE DEC 3 PLACE DEC ANGLES ±0.010 ±0.005 ±1/2°	
DO NOT SCALE THIS DRAWING	

TITLE  
**2X2D SPRING LOADED TEMP. SWITCH**

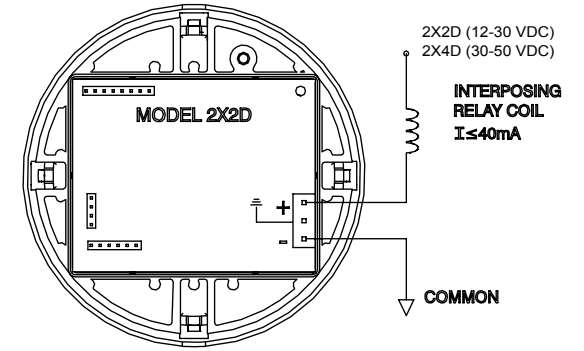
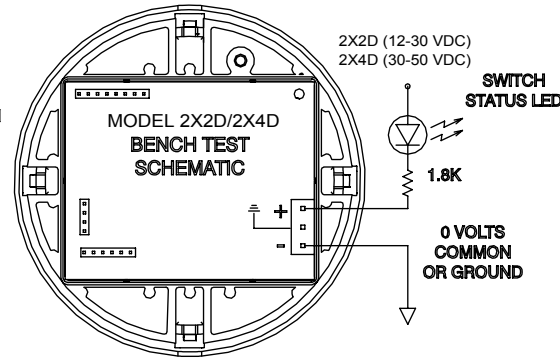
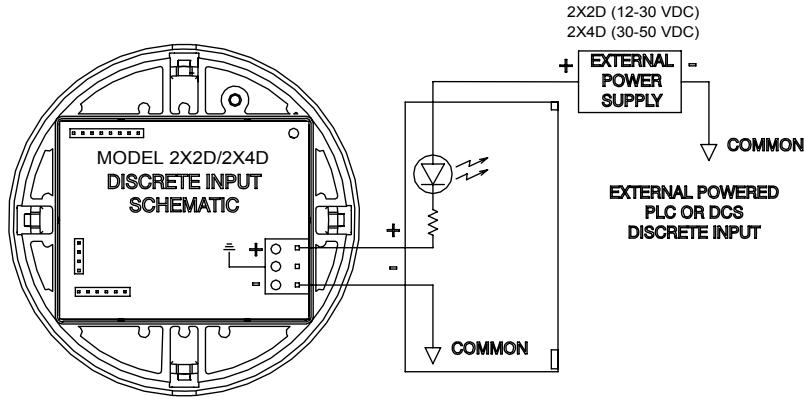
USED ON:  
 SCALE 1:1

UNITED ELECTRIC CONTROLS COMPANY  
 WATERTOWN \* MASSACHUSETTS

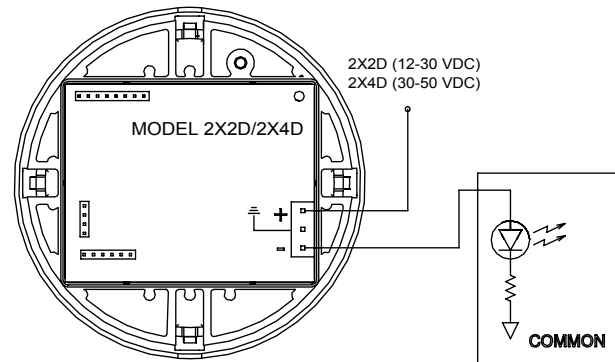
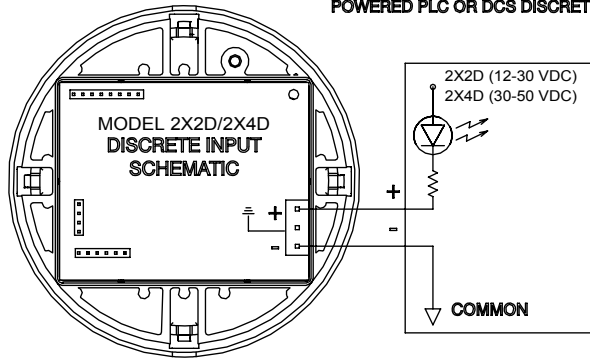
DWG NO Page 1 of 2  
**A-13919**

# RECOMMENDED WIRING SCHEMES

A-13919



## POWERED PLC OR DCS DISCRETE INPUT



THIS DOCUMENT IS PROPRIETARY PROPERTY OF UNITED ELECTRIC CONTROLS. UNAUTHORIZED USE IS STRICTLY PROHIBITED.

B	SEE PAGE 1 OF 2. ECN# E5348	01/22/15	VIK	ASK
A	FIRST ISSUE. ECN#E3133	4-7-09	RAM	RAM
REV.	DESCRIPTION	DATE	DRWN	APPD

ORIGINAL DATE	4-7-09	
DRWN	RAM	
CHKD	PLW	
APPD	R. McCAREY	
UNLESS OTHERWISE SPECIFIED DIMENSIONS ARE IN INCHES		
TOLERANCES ON FRACTIONS ±1/64		
2 PLACE DEC	3 PLACE DEC	ANGLES
±0.010	±0.005	±1/2°
DO NOT SCALE THIS DRAWING		

TITLE	2X2D SPRING LOADED TEMP. SWITCH
USED ON:	
SCALE	1:1

UNITED ELECTRIC CONTROLS COMPANY  
WATERTOWN \* MASSACHUSETTS

DWG NO Page 2 of 2  
**A-13919**