

SPECIFICATIONS:
 (SPECIFICATIONS AT 25°C (77°F) AND NOMINAL VOLTAGE
 UNLESS OTHERWISE NOTED.)

MECHANICAL:

WETTED MATERIALS: 316 st/st
 WEIGHT: 1.40 LBS. (0.63 kg)
 ENCLOSURE: TYPE 380 ALUMINUM; EPOXY POWDER COATED;
 SHALL NOT CONTAIN, BY MASS MORE THAN 6% OF MAGNESIUM.

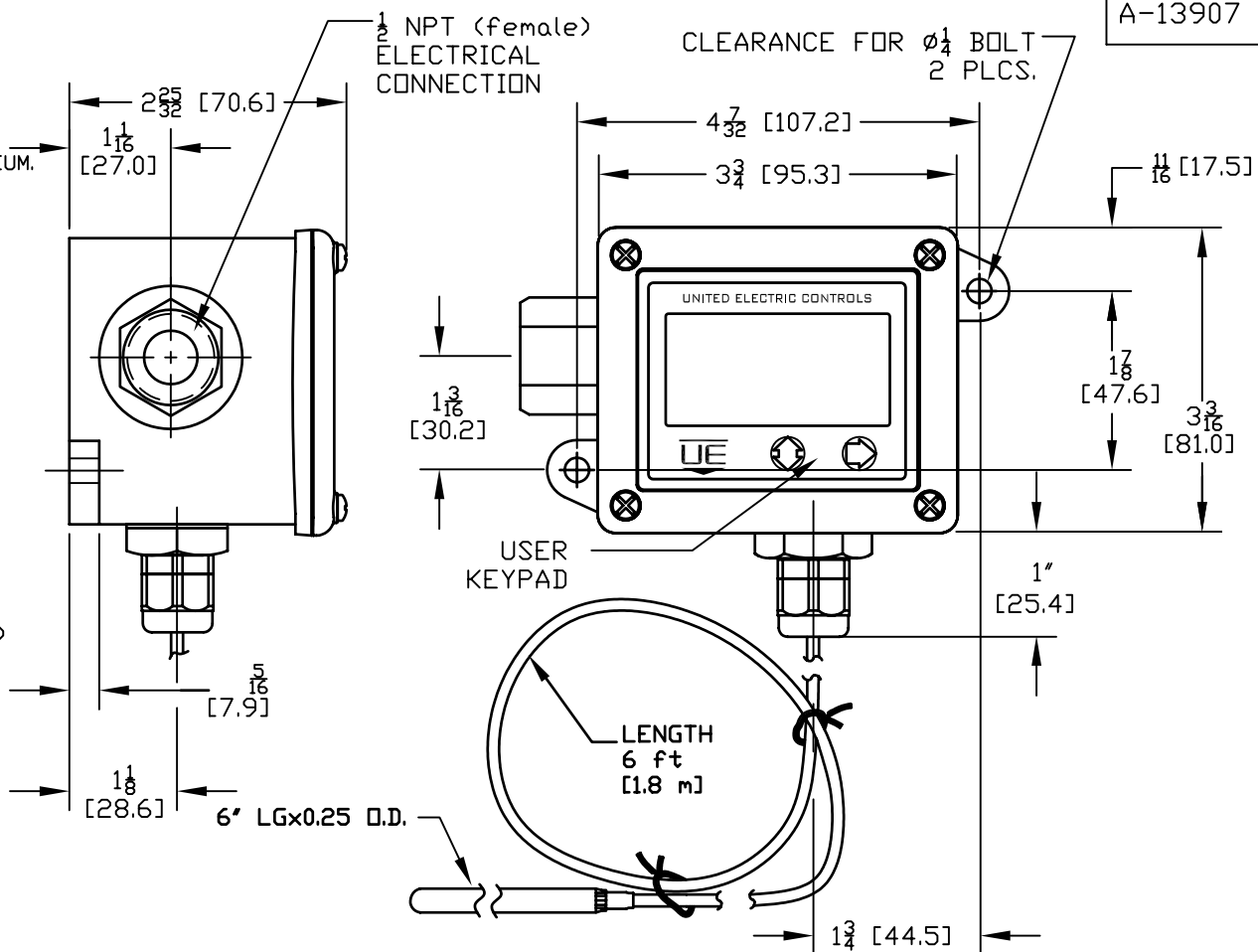
ELECTRICAL:

ELECTRICAL CONNECTION:
 3 POSITION TERMINAL BLOCK
 SWITCH SPECS.:
 OFF (OPEN): 30 TO 56 VDC @ 1.0mA MAX.
 ON (CLOSED): 5.0 VDC @ 40mA MAX.
 SWITCH PROTECTION:
 SHORT CIRCUIT
 REVERSE POLARITY
 OVER-VOLTAGE 56 VDC

OPERATING:

OVERALL ACCURACY:
 ±1% OF MAX. OPERATING RANGE VALUE
 SET POINT REPEATABILITY:
 ±0.2% OF MAX. OPERATING RANGE VALUE
 LONG TERM STABILITY:
 ±0.25% OF RANGE PER YEAR, MAX.
 AMBIENT TEMPERATURE:
 OPERATING: -40°C TO 85°C (-40°F TO 185°F)
 LCD VISIBILITY TEMP: -12°C TO 80°C (10°F TO 176°F)
 STORAGE: -40°C TO 85°C (-40°F TO 185°F)
 MEDIA TEMPERATURE:
 -50°F TO 450°F (-45°C TO 232°C)
 REFER TO NAMEPLATE FOR OPERATING TEMPERATURE
 RANGE.

A-13907



MODEL R _x	LENGTH
R1	6'
RC	0-30'

TERMINAL BLOCK	
FUNCTION	POSITION
SWITCH NEGATIVE	-
EARTH/CHASSIS GROUND	
SWITCH POSITIVE	+

ORIGINAL DATE	7/31/08
DRWN	PLW
CHKD	DWD
APPD	DW

UNLESS OTHERWISE SPECIFIED
 DIMENSIONS ARE IN INCHES

TITLE
 ONE SERIES
 2W4D00TRX
 REMOTE
 LOW TEMPERATURE
 SINGLE SWITCH



UNITED ELECTRIC
 CONTROLS COMPANY
 WATERTOWN * MASSACHUSETTS

DF001D

DWG NO
 A-13907

A	FIRST ISSUE, ECN# E2811	7/31/08	PLW	DW
SYM	DESCRIPTION	DATE	DWN	APPD
REVISIONS				

DO NOT SCALE THIS DRAWING

SCALE .5:1