

SPECIFICATIONS:

(SPECIFICATIONS AT 25°C (77°F) AND NOMINAL VOLTAGE UNLESS OTHERWISE NOTED.)

MECHANICAL:

WETTED MATERIALS: PROCESS CONNECTION - 316 st/st
 WEIGHT: 1.40 LBS. (0.63 kg)
 ENCLOSURE: TYPE 380 ALUMINUM; EPOXY POWDER COATED;
 SHALL NOT CONTAIN, BY MASS MORE THAN 6% OF MAGNESIUM.

ELECTRICAL:

ELECTRICAL CONNECTION: 3 POSITION TERMINAL BLOCK

SWITCH SPECS:

OFF (OPEN): 30 TO 56 VDC @ 1.0mA MAX.
 ON (CLOSED): 5.0 VDC @ 40mA MAX.

SWITCH PROTECTION:

SHORT CIRCUIT
 REVERSE POLARITY
 OVER-VOLTAGE 56 VDC

OPERATING:

OVERALL ACCURACY:

±1% OF MAX. OPERATING RANGE VALUE

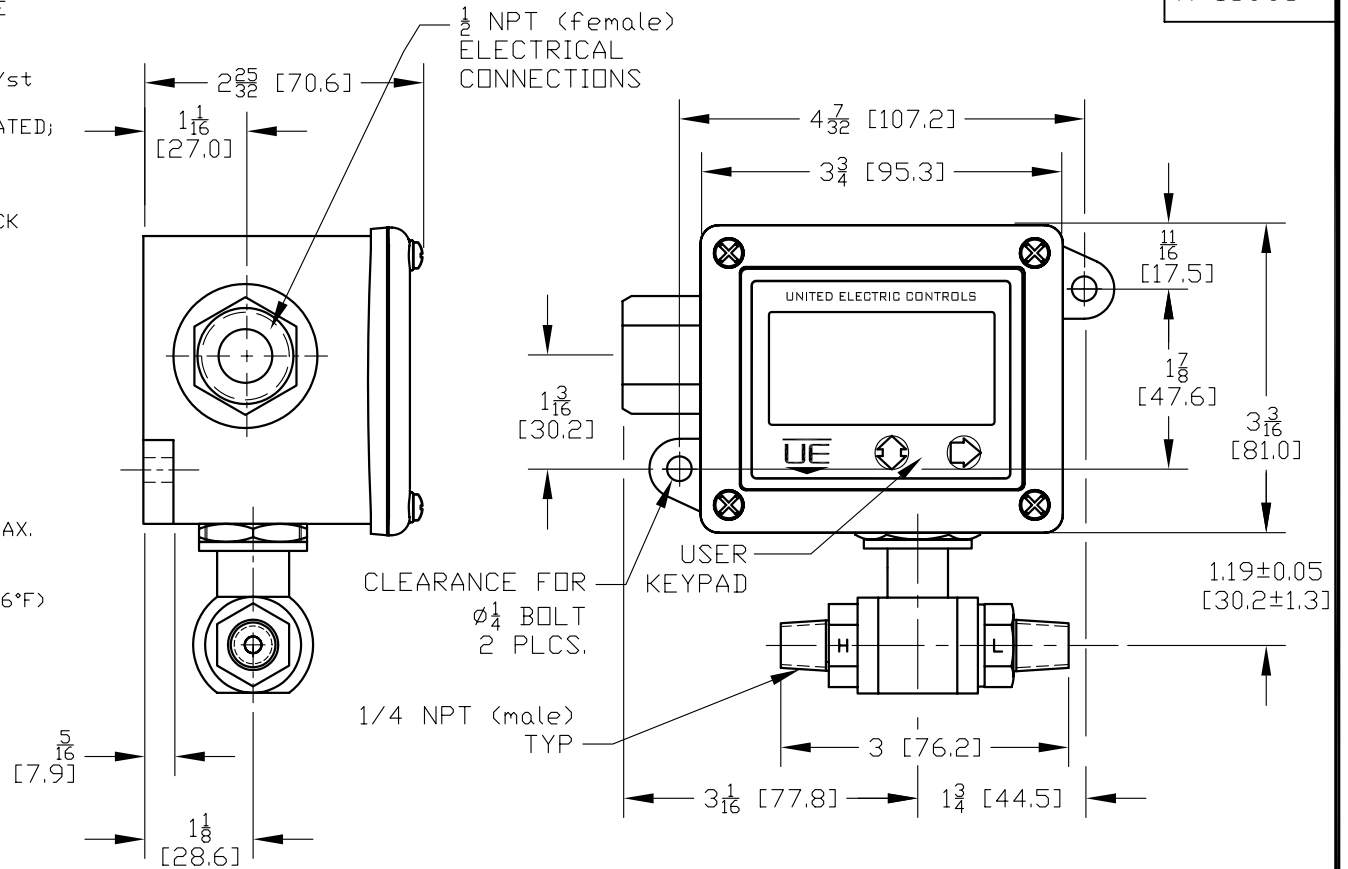
SET POINT REPEATABILITY:

±0.2% OF MAX. OPERATING RANGE VALUE

LONG TERM STABILITY: ±0.25 OF RANGE PER YEAR, MAX.

AMBIENT TEMPERATURE:

OPERATING: -40°C TO 85°C (-40°F TO 185°F)
 LCD VISIBILITY TEMP: -12°C TO 80°C (10°F TO 176°F)
 STORAGE: -40°C TO 85°C (-40°F TO 185°F)
 COMPENSATED TEMPERATURE RANGE:
 0°C TO 70°C (32°F TO 158°F)
 THERMAL OFFSET: ±0.5%
 THERMAL SENSITIVITY: ±0.75%
MEDIA TEMPERATURE:
 -40°C TO 125°C (-40°F TO 257°F)



MODEL Kxx	OPERATING RANGE			MAX. OVER PRESSURE		MAX. WORKING PRESSURE	
	LOW psi/bar	HIGH psi	bar	psi	bar	psi	bar
K10	0	5	0,3	10	0,7	50	3,4
K11	0	50	3,4	100	6,9	500	34,5
K12	0	100	6,9	200	13,8	1000	69,0
K13	0	200	13,8	400	27,6	1000	69,0

TERMINAL BLOCK	
FUNCTION	POSITION
SWITCH NEGATIVE	-
EARTH/CHASSIS GROUND	⏏
SWITCH POSITIVE	+

THIS DOCUMENT IS PROPRIETARY PROPERTY OF UNITED ELECTRIC CONTROLS. UNAUTHORIZED USE IS STRICTLY PROHIBITED.

SYM	DESCRIPTION	DATE	DWN	APPD
A	FIRST ISSUE. ECN# E2811	7/31/08	PLW	DW
REVISIONS				

ORIGINAL DATE	7/31/08
DRWN	PLW
CHKD	DWD
APPD	DW
UNLESS OTHERWISE SPECIFIED DIMENSIONS ARE IN INCHES	
DO NOT SCALE THIS DRAWING	

TITLE	ONE SERIES 2W4DOOKxx DIFFERENTIAL PRESSURE SINGLE SWITCH
SCALE	1:2

DF001D
UE UNITED ELECTRIC CONTROLS COMPANY WATERTOWN * MASSACHUSETTS
DWG NO A-13905