

SPECIFICATIONS:

(SPECIFICATIONS AT 25°C (77°F) AND NOMINAL VOLTAGE UNLESS OTHERWISE NOTED.)

MECHANICAL:

WETTED MATERIALS: PROCESS CONNECTION - 316 st/st
 WEIGHT: 1.40 LBS. (0.63 kg)
 ENCLOSURE: TYPE 380 ALUMINUM; EPOXY POWDER COATED;
 SHALL NOT CONTAIN, BY MASS MORE THAN 6% OF MAGNESIUM.

ELECTRICAL:

ELECTRICAL CONNECTION:

3 POSITION TERMINAL BLOCK

SWITCH SPECS.:

OFF (OPEN): 30 TO 56 VDC @ 1.0mA MAX.
 ON (CLOSED): 5.0 VDC @ 40mA MAX.

SWITCH PROTECTION:

SHORT CIRCUIT
 REVERSE POLARITY
 OVER-VOLTAGE 56 VDC

OPERATING:

OVERALL ACCURACY:

±1% OF MAX. OPERATING RANGE VALUE

SET POINT REPEATABILITY:

±0.2% OF MAX. OPERATING RANGE VALUE

LONG TERM STABILITY:

±0.25 OF RANGE PER YEAR, MAX.

AMBIENT TEMPERATURE:

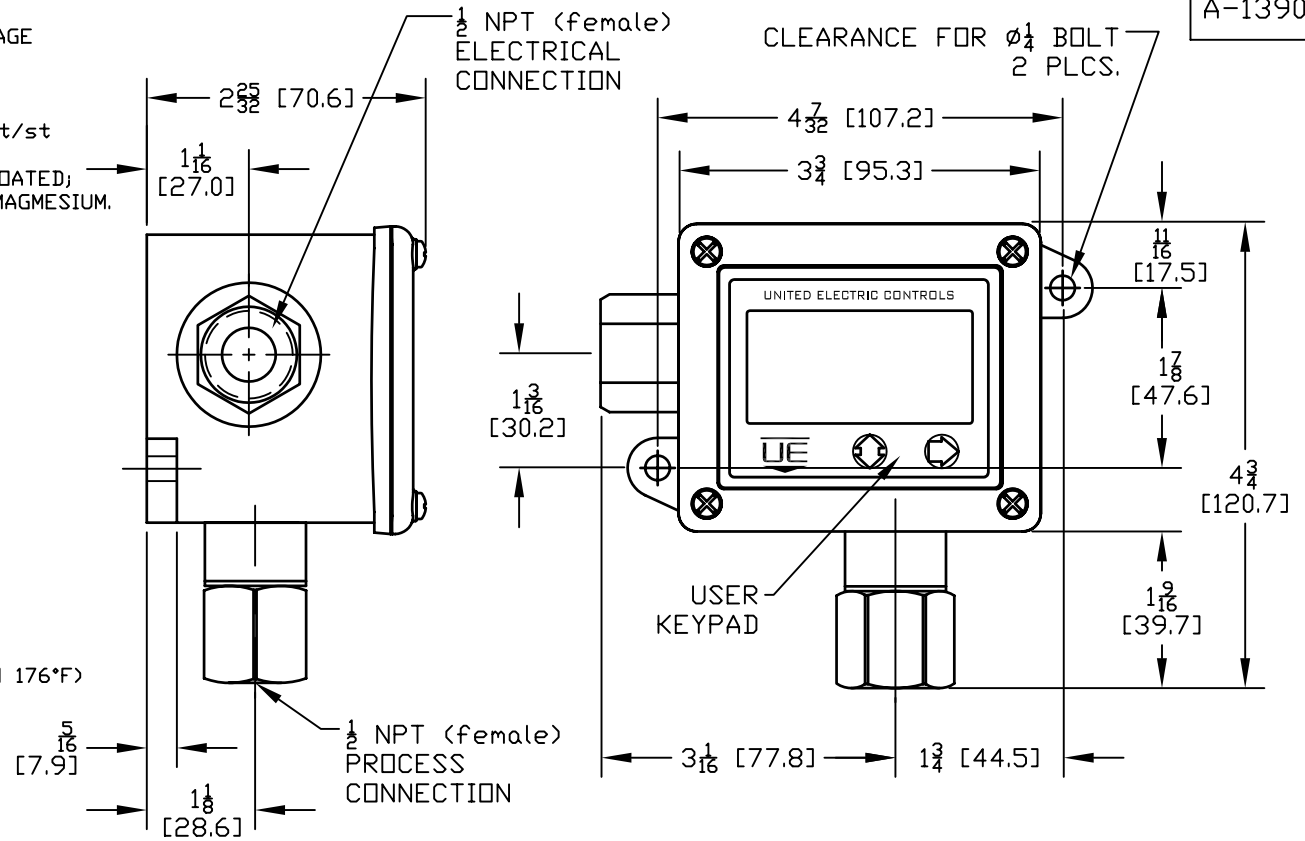
OPERATING: -40°C TO 85°C (-40°F TO 185°F)

LCD VISIBILITY TEMP: -12°C TO 80°C (10°F TO 176°F)

STORAGE: -40°C TO 85°C (-40°F TO 185°F)

MEDIA TEMPERATURE:

-40°C TO 125°C (-40°F TO 257°F)



MODEL Pxx	OPERATING RANGE		MAX. OVER PRESSURE		BURST PRESSURE		
	LOW psi/bar	HIGH psi bar	psi	bar	psi	bar	
P10	0	5	0,3	10	0,7	20	1,4
P11	0	15	1,0	30	2,1	60	4,1
P12	0	30	2,1	60	4,1	120	8,3
P13	0	50	3,4	100	6,9	200	13,8
P14	0	100	6,9	200	13,8	400	27,6
P15	0	300	20,7	600	41,4	1200	82,7
P16	0	500	34,5	1000	68,9	2000	137,9
P17	0	1000	68,9	2000	137,9	4000	275,8
P18	0	3000	206,8	6000	413,7	12000	827,4
P19	0	4500	310,3	9000	620,6	18000	1241,1

TERMINAL BLOCK	
FUNCTION	POSITION
SWITCH NEGATIVE	-
EARTH/CHASSIS GROUND	⏏
SWITCH POSITIVE	+

A	DESCRIPTION	DATE	PLW	DW
	FIRST ISSUE. ECN# E2811	7/31/08	PLW	DW
SYM	DESCRIPTION	DATE	DWN	APPD
REVISIONS				

ORIGINAL DATE	7/31/08
DRWN	PLW
CHKD	DWD
APPD	DW
UNLESS OTHERWISE SPECIFIED DIMENSIONS ARE IN INCHES	
DO NOT SCALE THIS DRAWING	

TITLE	ONE SERIES 2W4D00Pxx PRESSURE SINGLE SWITCH
SCALE	.5:1

DF001D
UE
UNITED ELECTRIC CONTROLS COMPANY WATERTOWN * MASSACHUSETTS
DWG NO A-13904