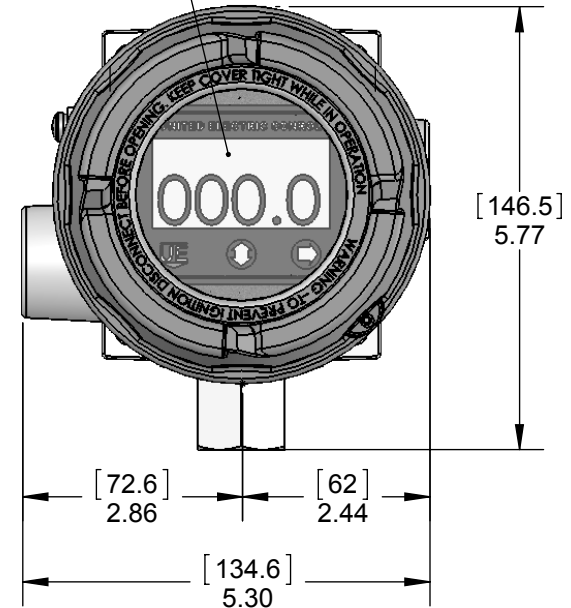


DISPLAY CAN BE ROTATED UP TO 180° BOTH DIRECTIONS

A-13902



SPECIFICATIONS:

MECHANICAL:
 WETTED MATERIALS: 316 STAINLESS STEEL
 ENCLOSURE: TYPE 360 ALUMINUM; EPOXY POWDER COATED

ELECTRICAL:
 ELECTRICAL CONNECTION:
 4 POSITION TERMINAL BLOCK, 20-10 AWG Max

SWITCH SPECS:
 POWER INPUT: 4 WIRE 120 VAC EXTERNAL POWERED (90-130 VDC) @ 15mA
 SWITCH OUTPUT (4X3A01 MODELS): 24 TO 280 VAC @ 10A, 150 mA MIN. LOAD REQUIRED.

APPROVALS:

cULus LISTED
 CLASS I, DIVISION 1, GROUPS A, B, C & D;
 CLASS II, DIVISION 1, GROUPS E, F & G; CLASS III
 CLASS I, ZONE 1, AEx d IIC T3/T5*; CLASS 1, ZONE 1, Ex d IIC T3/T5*
 Tamb = -40°C TO +70°C (-40°F TO 158°F)
 ENCLOSURE TYPE 4X; IP66

ATEX APPROVED
 II 2 G Ex d IIC T3/T5*
 II 2 D Ex d A21 IP66 T+90C
 DEMKO 09 ATEX 0813748X
 Tamb = -40°C TO +70°C (-40°F TO 158°F)

IECEX APPROVED
 IECEX UL 08.0017
 Ex d IIC T3/T5*
 Ex ID A21 IP66 T+90C
 Tamb = -40°C TO +70°C (-40°F TO 158°F)

* STRAIGHT PRESSURE SENSOR MODELS P10-P16
 HAVE A TEMPERATURE CLASS OF T3. ALL OTHER
 MODELS HAVE A T5 TEMPERATURE CLASS.

MODEL PXX	OPERATING RANGE				MAX. OVER PRESSURE	
	psi	bar	psi	bar	psi	bar
P06	-14.7	-1	30	2.1	60	4.1
P08	-14.7	-1	100	6.9	200	13.8
P10	0	0	5	0.3	10	0.7
P11	0	0	15	1.0	30	2.1
P12	0	0	30	2.1	60	4.1
P13	0	0	50	3.4	100	6.9
P14	0	0	100	6.9	200	13.8
P15	0	0	300	20.7	600	41.4
P16	0	0	500	34.5	1000	68.9
P17	0	0	1000	68.9	2000	137.9
P18	0	0	3000	206.8	6000	413.7
P19	0	0	4500	310.3	9000	620.6
P20	0	0	6000	413.6	12000	827.4

REV.	DESCRIPTION	DATE	DRWN	APPD
C	CORRECTED DIMENSIONS FOR ENCLOSURE REDESIGN. ECN# E5348	01/22/15	VIK	ASK
B	ADDED MODELS P06 & P08. ECN#E4890	8-21-13	SR	SJM
A	FIRST ISSUE. ECN#E3133	4-7-09	RAM	RAM

ORIGINAL DATE	4-7-09
DRWN	RAM
CHKD	PLW
APPD	R. McCAREY
UNLESS OTHERWISE SPECIFIED DIMENSIONS ARE IN INCHES	
TOLERANCES ON FRACTIONS ±1/64	
2 PLACE DEC ±0.010	3 PLACE DEC ±0.005
ANGLES ±1/2°	
DO NOT SCALE THIS DRAWING	

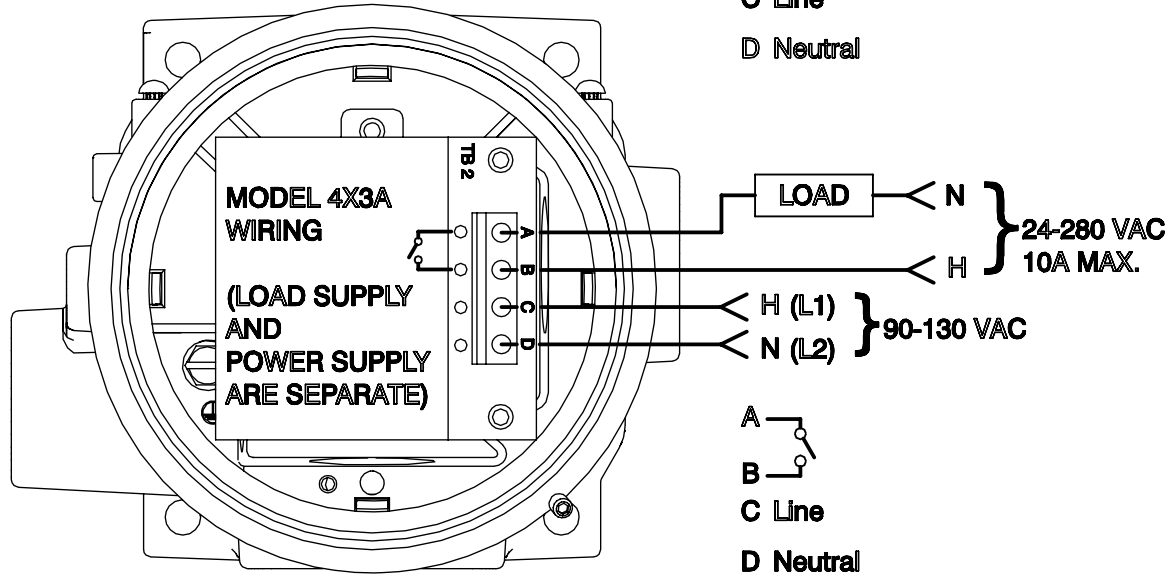
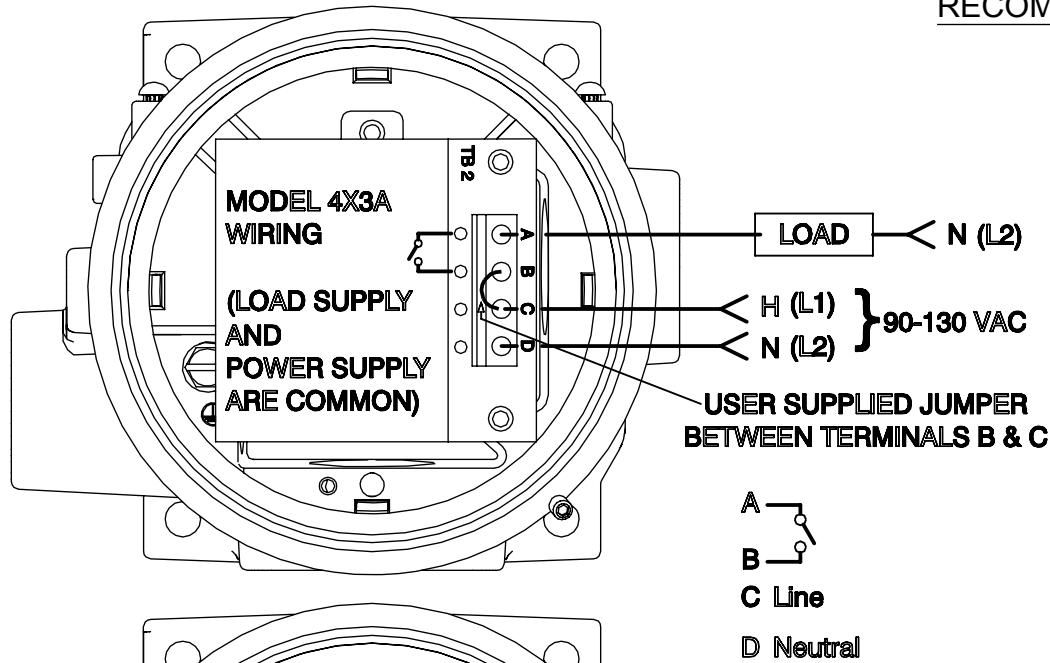
TITLE
4X3A GAGE PRESSURE SWITCH

USED ON:
 SCALE 1:1

UNITED ELECTRIC CONTROLS COMPANY
 WATERTOWN * MASSACHUSETTS

DWG NO Page 1 of 2
A-13902

RECOMMENDED WIRING SCHEMES



C	SEE PAGE 1 OF 2. ECN# E5348	01/22/15	VIK	ASK
B	SEE PG. 1 OF 2. ECN#E4890	8-21-13	SR	SJM
A	FIRST ISSUE. ECN#E3133	4-7-09	RAM	RAM
REV.	DESCRIPTION	DATE	DRWN	APPD

ORIGINAL DATE	4-7-09	
DRWN	RAM	
CHKD	PLW	
APPD	R. McCAREY	
UNLESS OTHERWISE SPECIFIED DIMENSIONS ARE IN INCHES		
TOLERANCES ON FRACTIONS ±1/64		
2 PLACE DEC	3 PLACE DEC	ANGLES
±0.010	±0.005	±1/2°
DO NOT SCALE THIS DRAWING		

TITLE	4X3A GAGE PRESSURE SWITCH
USED ON:	SCALE 1:1

UNITED ELECTRIC CONTROLS COMPANY
 WATERTOWN * MASSACHUSETTS

DWG NO A-13902 Page 2 of 2