

**SPECIFICATIONS:**

(SPECIFICATIONS AT 25°C (77°F) AND NOMINAL VOLTAGE UNLESS OTHERWISE NOTED.)

**MECHANICAL:**

WETTED MATERIALS: 316 st/st  
 WEIGHT: 1.40 LBS. (0.63 kg)  
 ENCLOSURE: TYPE 380 ALUMINUM; EPOXY POWDER COATED;  
 SHALL NOT CONTAIN, BY MASS MORE THAN 6% OF MAGNESIUM.

**ELECTRICAL:**

ELECTRICAL CONNECTION:  
 24 VDC POWER SUPPLY: 3 POSITION TERMINAL BLOCK  
 (BROWN) 12-22 AWG WIRE  
 4-20 mA LOOP: 2 POSITION TERMINAL BLOCK  
 (GREEN) 14-26 AWG WIRE  
 SWITCH OUTPUTS: 5 POSITION TERMINAL BLOCK  
 (GRAY) 14-22 AWG WIRE  
 RATING: 4-20 mA OUTPUT, 10-36 VDC @ 24 mA MAX  
 $R_{L(max)} = (V_{in} - 9)$

**SWITCH OUTPUT RATINGS:**

0.024  
 8W2D42xxx SW1: 75-250 VAC, 1.5 A MAX. CONT.,\*\*  
 SW2: 75-250 VAC, 1.5 A MAX. CONT.,\*\*  
 82WD44xxx SW1: 75-250 VAC, 1.5 A MAX. CONT.,\*\*  
 SW2: 140 VAC/DC, 0.6 A MAX. CONT.\*  
 8W2D45xxx SW1: 140 VAC/DC, 0.6 A MAX. CONT.\*  
 SW2: 140 VAC/DC, 0.6 A MAX. CONT.\*  
 \* 2 A PEAK (100 mSec), DERATE AT 8% PER 10°C  
 OR 4.6% PER 10°F, NO MIN. LOAD  
 \*\* 50 A PEAK (100 mSEC), DERATE AT 8% PER 10°C  
 OR 4.6% PER 10°F, MIN. LOAD 50mA

**OPERATING:**

OVERALL ACCURACY:  
 ±1% OF MAX. OPERATING RANGE VALUE  
 SET POINT REPEATABILITY:  
 ±0.2% OF MAX. OPERATING RANGE VALUE  
 LONG TERM STABILITY:  
 ±0.25% OF RANGE PER YEAR, MAX.  
 AMBIENT TEMPERATURE:  
 OPERATING: -40°C TO 80°C (-40°F TO 176°F)  
 COMPENSATED TEMP. RANGE: 0°C TO 70°C (32°F TO 158°F)  
 LCD VISIBILITY TEMP: -12°C TO 80°C (10°F TO 176°F)  
 STORAGE: -40°C TO 85°C (-40°F TO 185°F)  
 THERMAL OFFSET: 0.5%  
 THERMAL SENSITIVITY: ±0.75%

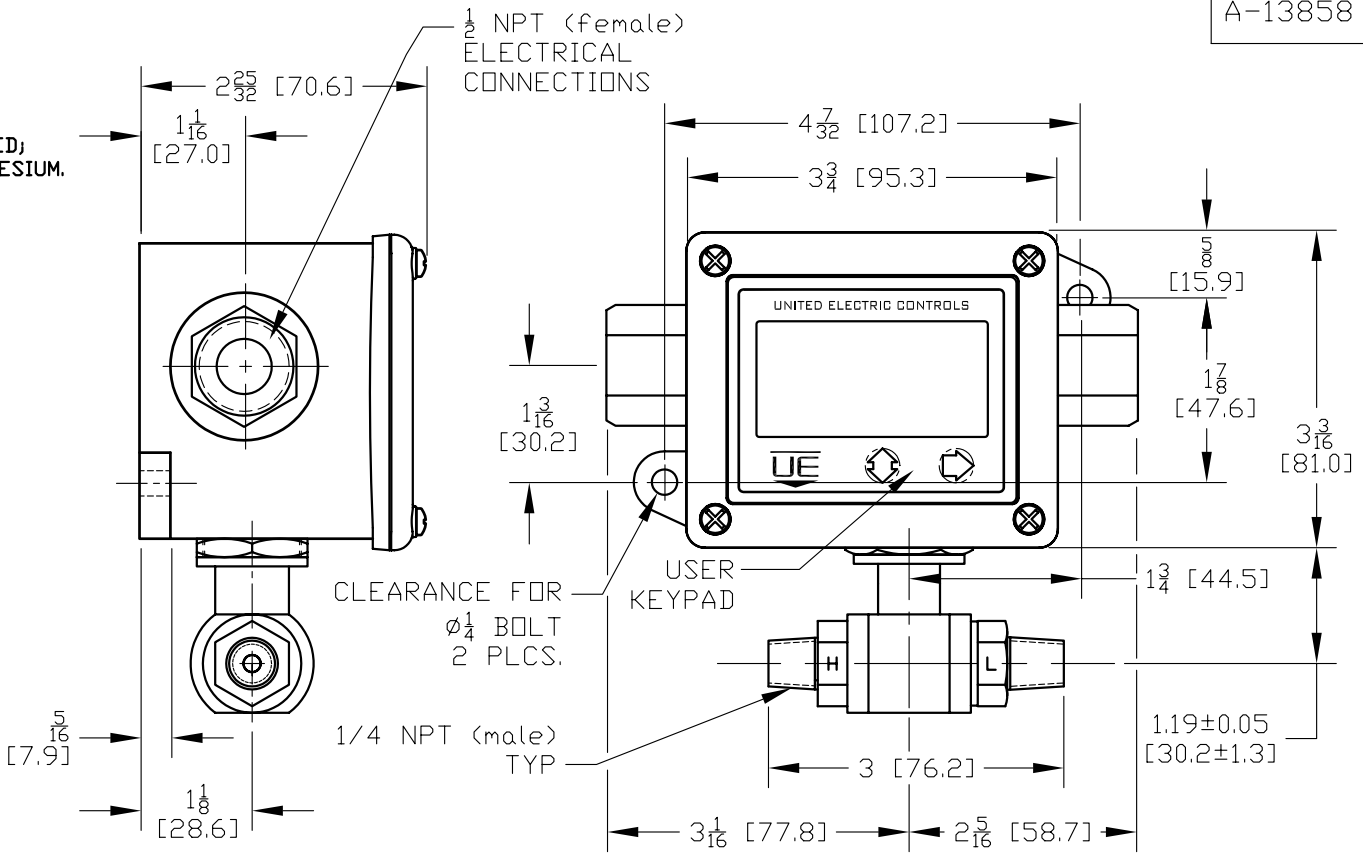
MEDIA TEMPERATURE: -40°C TO 125°C (-40°F TO 257°F)  
 REFER TO NAMEPLATE FOR SPECIFIC OPERATING TEMP. RANGE.

**APPROVALS:**

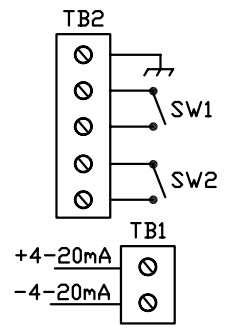
NONINCENDIVE APPLICATIONS:  
 UL LISTED, cUL CERTIFIED  
 CLASS I, DIVISION 2, GROUPS A, B, C, & D;  
 CLASS II, DIVISION 2, GROUPS F & G;  
 CLASS III;  
 CLASS I, ZONE 2 AEx nC IIC T4;  
 CLASS I, ZONE 2 Ex nC IIC T4;  
 Tamb. = -40°C TO +80°C (-40°F TO +176°F)  
 ENCLOSURE TYPE 4X

DEMKO 03 ATEX 0322281X  
 -40°C < Tamb. < +80°C, IP66

II 3 G EEx nL IIC T4  
 II 3 D T+130°C



**TERMINAL BLOCK**



MODEL Kxx	OPERATING RANGE		MAX. OVER PRESSURE		MAX. WORKING PRESSURE		
	LOW	HIGH	psi	bar	psi	bar	
K10	0	5	0,3	10	0,7	50	3,4
K11	0	50	3,4	100	6,9	500	34,5
K12	0	100	6,9	200	13,8	1000	69,0
K13	0	200	13,8	400	27,6	1000	69,0

ORIGINAL DATE	11/22/05
DRWN	PLW
CHKD	A.B.
APPD	D.W.
UNLESS OTHERWISE SPECIFIED DIMENSIONS ARE IN INCHES	
DO NOT SCALE THIS DRAWING	

TITLE

ONE SERIES  
 8W2DxxKxx  
 DIFFERENTIAL  
 PRESSURE  
 DUAL SWITCH  
 4-20 mA OUTPUT

SCALE 1:2

DF001D

UNITED ELECTRIC CONTROLS COMPANY  
 WATERTOWN \* MASSACHUSETTS

DWG NO  
 A-13858

THIS DOCUMENT IS PROPRIETARY PROPERTY OF UNITED ELECTRIC CONTROLS. UNAUTHORIZED USE IS STRICTLY PROHIBITED.

C	REDRAWN; REVISED TITLE BLOCK INFO. ECN#E2723	6-24-08	SR	LK
SYM	DESCRIPTION	DATE	DWN	APPD
REVISIONS				