

SPECIFICATIONS:

(SPECIFICATIONS AT 25°C (77°F) AND NOMINAL VOLTAGE UNLESS OTHERWISE NOTED.)

MECHANICAL:

WETTED MATERIALS: 316 st/st, 304 st/st CABLE
 WEIGHT: 1.40 LBS. (0.63 kg)
 ENCLOSURE: TYPE 380 ALUMINUM; EPOXY POWDER COATED;
 SHALL NOT CONTAIN, BY MASS MORE THAN 6% OF MAGNESIUM.

ELECTRICAL:

ELECTRICAL CONNECTION:

24 VDC POWER SUPPLY: 3 POSITION TERMINAL BLOCK
 (BROWN) 12-22 AWG WIRE
 4-20 mA LOOP: 2 POSITION TERMINAL BLOCK
 (GREEN) 14-26 AWG WIRE
 SWITCH OUTPUTS: 5 POSITION TERMINAL BLOCK
 (GRAY) 14-22 AWG WIRE

RATING: 4-20 mA OUTPUT, 10-36 VDC @ 24 mA MAX

$$R_{L(max)} = \frac{(V_{in} - 9)}{0.024}$$

SWITCH OUTPUT RATINGS:

8W2D42xxx SW1: 75-250 VAC, 1.5 A MAX. CONT.,**
 SW2: 75-250 VAC, 1.5 A MAX. CONT.,**
 82WD44xxx SW1: 75-250 VAC, 1.5 A MAX. CONT.,**
 SW2: 140 VAC/DC, 0.6 A MAX. CONT.*
 8W2D45xxx SW1: 140 VAC/DC, 0.6 A MAX. CONT.,*
 SW2: 140 VAC/DC, 0.6 A MAX. CONT.,*
 * 2 A PEAK (100 mSec). DERATE AT 8% PER 10°C
 OR 4.6% PER 10°F, NO MIN. LOAD
 ** 50 A PEAK (100 mSEC), DERATE AT 8% PER 10°C
 OR 4.6% PER 10°F, MIN. LOAD 50mA

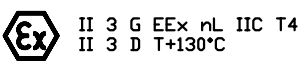
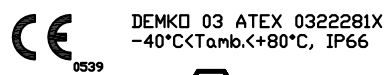
OPERATING:

OVERALL ACCURACY:
 ±1% OF MAX. OPERATING RANGE VALUE
 SET POINT REPEATABILITY:
 ±0.2% OF MAX. OPERATING RANGE VALUE
 LONG TERM STABILITY:
 ±0.25% OF RANGE PER YEAR, MAX.
 AMBIENT TEMPERATURE:
 OPERATING: -40°C TO 80°C (-40°F TO 176°F)
 LCD VISIBILITY TEMP: -12°C TO 80°C (10°F TO 176°F)
 STORAGE: -40°C TO 85°C (-40°F TO 185°F)
 MEDIA TEMPERATURE:
 -184°C TO 538°C (-300°F TO 1000°F)

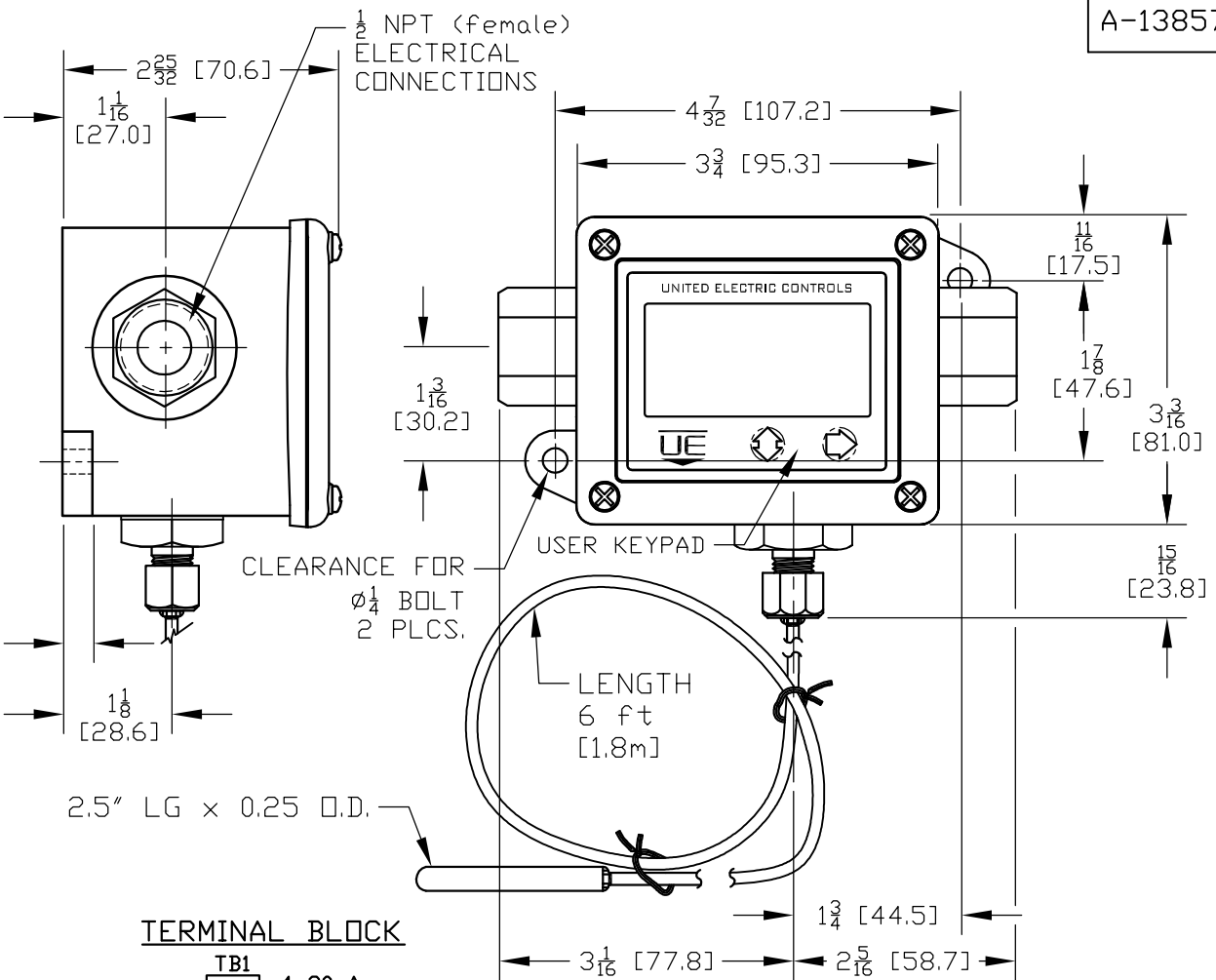
REFER TO NAMEPLATE FOR SPECIFIC OPERATING TEMP. RANGE.

APPROVALS:

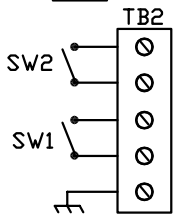
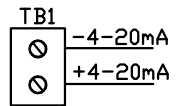
NONINCENDIVE APPLICATIONS:
 UL LISTED, cUL CERTIFIED
 CLASS I, DIVISION 2, GROUPS A, B, C, & D;
 CLASS II, DIVISION 2, GROUPS F & G;
 CLASS III;
 CLASS I, ZONE 2 AEx nC IIC T4;
 CLASS I, ZONE 2 Ex nC IIC T4;
 Tamb. = -40°C TO +80°C (-40°F TO +176°F)
 ENCLOSURE TYPE 4X



THIS DOCUMENT IS PROPRIETARY PROPERTY OF UNITED ELECTRIC CONTROLS. UNAUTHORIZED USE IS STRICTLY PROHIBITED.



TERMINAL BLOCK



MODEL Txx	LENGTH	OPER. RANGE
TH1	6'	-50 TO 1000°F
THC	0-30'	
TC1	6'	-300 TO 200°F
TCC	0-30'	

SYM	DESCRIPTION	DATE	DWN	APPD
C	CHANGED TERMINAL BLOCK ORIENTATION. ECN#E4119	8/8/11	MJF	DW
B	REVISED TITLE BLOCK INFO. ADDED OPER. RANGE TO CHART. ECN#E2723	6-24-08	SR	LK
A	FIRST ISSUE. ECN#E1487	11/22/05	PLW	D.W.

REVISIONS

ORIGINAL DATE	11/22/05
DRWN	PLW
CHKD	A.B.
APPD	D.W.
UNLESS OTHERWISE SPECIFIED DIMENSIONS ARE IN INCHES	
DO NOT SCALE THIS DRAWING	

TITLE	ONE SERIES 8W2DxxTxx REMOTE CRYOGENIC/ HIGH TEMPERATURE DUAL SWITCH 4-20 mA OUTPUT
SCALE	1:2

DF001D

UNITED ELECTRIC CONTROLS COMPANY
 WATERTOWN * MASSACHUSETTS

DWG NO
A-13857