

**SPECIFICATIONS:**

(SPECIFICATIONS AT 25°C (77°F) AND NOMINAL VOLTAGE UNLESS OTHERWISE NOTED.)

**MECHANICAL:**

WETTED MATERIALS: 316 st/st  
 WEIGHT: 1.40 LBS. (0.63 kg)  
 ENCLOSURE: TYPE 380 ALUMINUM; EPOXY POWDER COATED;  
 SHALL NOT CONTAIN, BY MASS MORE THAN 6% OF MAGNESIUM.

**ELECTRICAL:**

**ELECTRICAL CONNECTION:**

24 VDC POWER SUPPLY: 3 POSITION TERMINAL BLOCK  
 (BROWN) 12-22 AWG WIRE

4-20 mA LOOP: 2 POSITION TERMINAL BLOCK  
 (GREEN) 14-26 AWG WIRE

SWITCH OUTPUTS: 5 POSITION TERMINAL BLOCK  
 (GRAY) 14-22 AWG WIRE

RATING: 4-20 mA OUTPUT, 10-36 VDC @ 24 mA MAX

$$R_{L(max)} = \frac{(V_{in} - 9)}{0.024}$$

**SWITCH OUTPUT RATINGS:**

8W2D42xxx SW1: 75-250 VAC, 1.5 A MAX. CONT.,\*\*

SW2: 75-250 VAC, 1.5 A MAX. CONT.,\*\*

82WD44xxx SW1: 75-250 VAC, 1.5 A MAX. CONT.,\*\*

SW2: 140 VAC/DC, 0.6 A MAX. CONT.\*

8W2D45xxx SW1: 140 VAC/DC, 0.6 A MAX. CONT.,\*

SW2: 140 VAC/DC, 0.6 A MAX. CONT.,\*

\* 2 A PEAK (100 mSec). DERATE AT 8% PER 10°C  
 OR 4.6% PER 10°F, NO MIN. LOAD

\*\* 50 A PEAK (100 mSEC), DERATE AT 8% PER 10°C  
 OR 4.6% PER 10°F, MIN. LOAD 50mA

**OPERATING:**

**OVERALL ACCURACY:**

±1% OF MAX. OPERATING RANGE VALUE

**SET POINT REPEATABILITY:**

±0.2% OF MAX. OPERATING RANGE VALUE

**LONG TERM STABILITY:**

±0.25% OF RANGE PER YEAR, MAX.

**AMBIENT TEMPERATURE:**

OPERATING: -40°C TO 80°C (-40°F TO 176°F)

LCD VISIBILITY TEMP: -12°C TO 80°C (10°F TO 176°F)

STORAGE: -40°C TO 85°C (-40°F TO 185°F)

**MEDIA TEMPERATURE:**

-45°C TO 232°C (-50°F TO 450°F)

REFER TO NAMEPLATE FOR SPECIFIC OPERATING TEMP. RANGE.

**APPROVALS:**

**NONINCENDIVE APPLICATIONS:**

UL LISTED, cUL CERTIFIED

CLASS I, DIVISION 2, GROUPS A, B, C, & D;

CLASS II, DIVISION 2, GROUPS F & G;

CLASS III;

CLASS I, ZONE 2 AEx nC IIC T4;

CLASS I, ZONE 2 Ex nC IIC T4;

Tamb. = -40°C TO +80°C (-40°F TO +176°F)

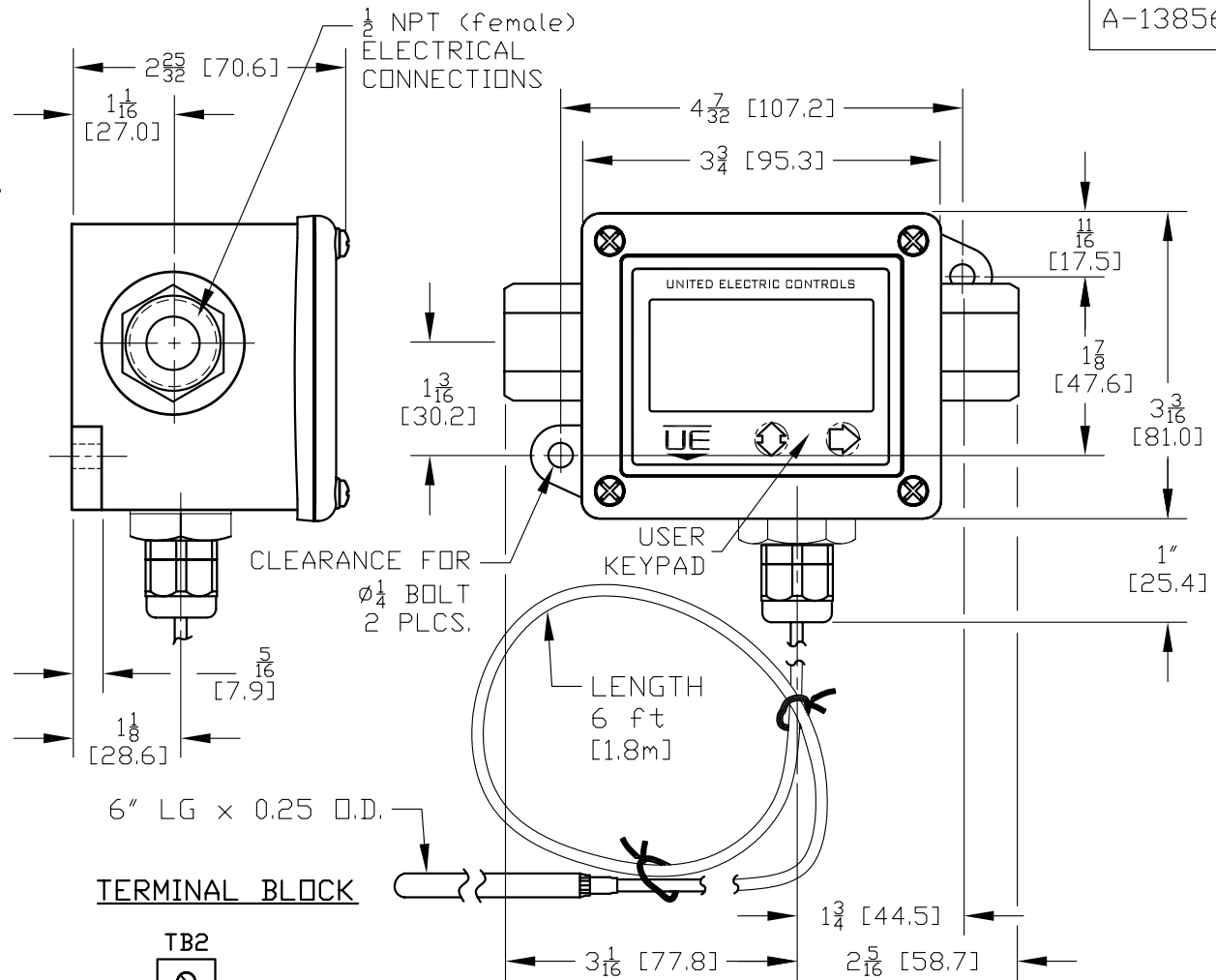
ENCLOSURE TYPE 4X



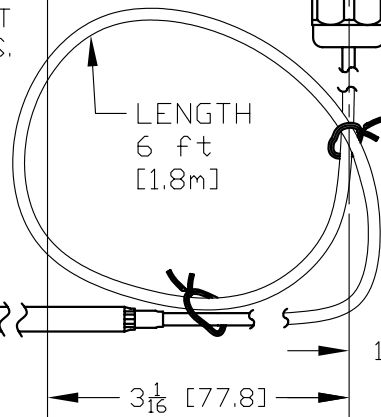
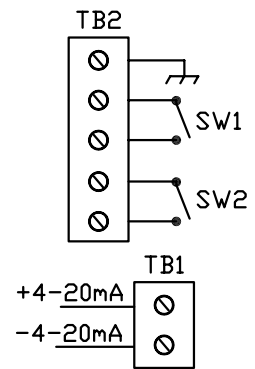
DEMKO 03 ATEX 0322281X  
 -40°C < Tamb. < +80°C, IP66



II 3 G EEx nL IIC T4  
 II 3 D T+130°C



**TERMINAL BLOCK**



MODEL Rx	LENGTH
R1	6'
RC	0-30'

ORIGINAL DATE	11/22/05
DRWN	PLW
CHKD	A.B.
APPD	D.W.
UNLESS OTHERWISE SPECIFIED DIMENSIONS ARE IN INCHES	
DO NOT SCALE THIS DRAWING	

TITLE	ONE SERIES 8W2DxxTRx REMOTE LOW TEMPERATURE DUAL SWITCH 4-20 mA OUTPUT
SCALE	1:2

DF001D

UNITED ELECTRIC  
 CONTROLS COMPANY  
 WATERTOWN \* MASSACHUSETTS

DWG NO  
 A-13856

SYM	DESCRIPTION	DATE	DWN	APPD
B	REVISED TITLE BLOCK INFO. ECN#E2723	6-24-08	SR	LK
A	FIRST ISSUE. ECN#E1487	11/22/05	PLW	D.W.
REVISIONS				

THIS DOCUMENT IS PROPRIETARY PROPERTY OF UNITED ELECTRIC CONTROLS. UNAUTHORIZED USE IS STRICTLY PROHIBITED.