

SPECIFICATIONS:

(SPECIFICATIONS AT 25°C (77°F) AND NOMINAL VOLTAGE UNLESS OTHERWISE NOTED.)

MECHANICAL:

WETTED MATERIALS: PROCESS CONNECTION - 316 st/st
 WEIGHT: 1.58 LBS. (0.71 kg)
 ENCLOSURE: TYPE 380 ALUMINUM; EPOXY POWDER COATED

ELECTRICAL:

ELECTRICAL CONNECTION:
 4 POSITION TERMINAL BLOCK

SWITCH SPECS.:

90 TO 130 VAC, 10A AT T_{amb}. 38°C (100°F)
 DERATE AT 1.8A PER 10°C (18°F)

OPERATING:

OVERALL ACCURACY:

±1% OF MAX. OPERATING RANGE VALUE

SET POINT REPEATABILITY:

±0.2% OF MAX. OPERATING RANGE VALUE

LONG TERM STABILITY:

±0.25 OF RANGE PER YEAR, MAX.

AMBIENT TEMPERATURE:

OPERATING: -40°C TO 70°C (-40°F TO 158°F)

LCD VISIBILITY TEMP: -12°C TO 70°C (10°F TO 158°F)

STORAGE: -40°C TO 85°C (-40°F TO 185°F)

COMPENSATED TEMPERATURE RANGE:

0°C TO 70°C (32°F TO 158°F)

THERMAL OFFSET: ±0.5%

THERMAL SENSITIVITY: ±0.75%

MEDIA TEMPERATURE:

-40°C TO 125°C (-40°F TO 257°F)

APPROVALS:

NONINCENDIVE APPLICATIONS:

UL LISTED, cUL CERTIFIED

CLASS I, DIVISION 2, GROUPS A, B, C & D;

CLASS II, DIVISION 2, GROUPS F & G;

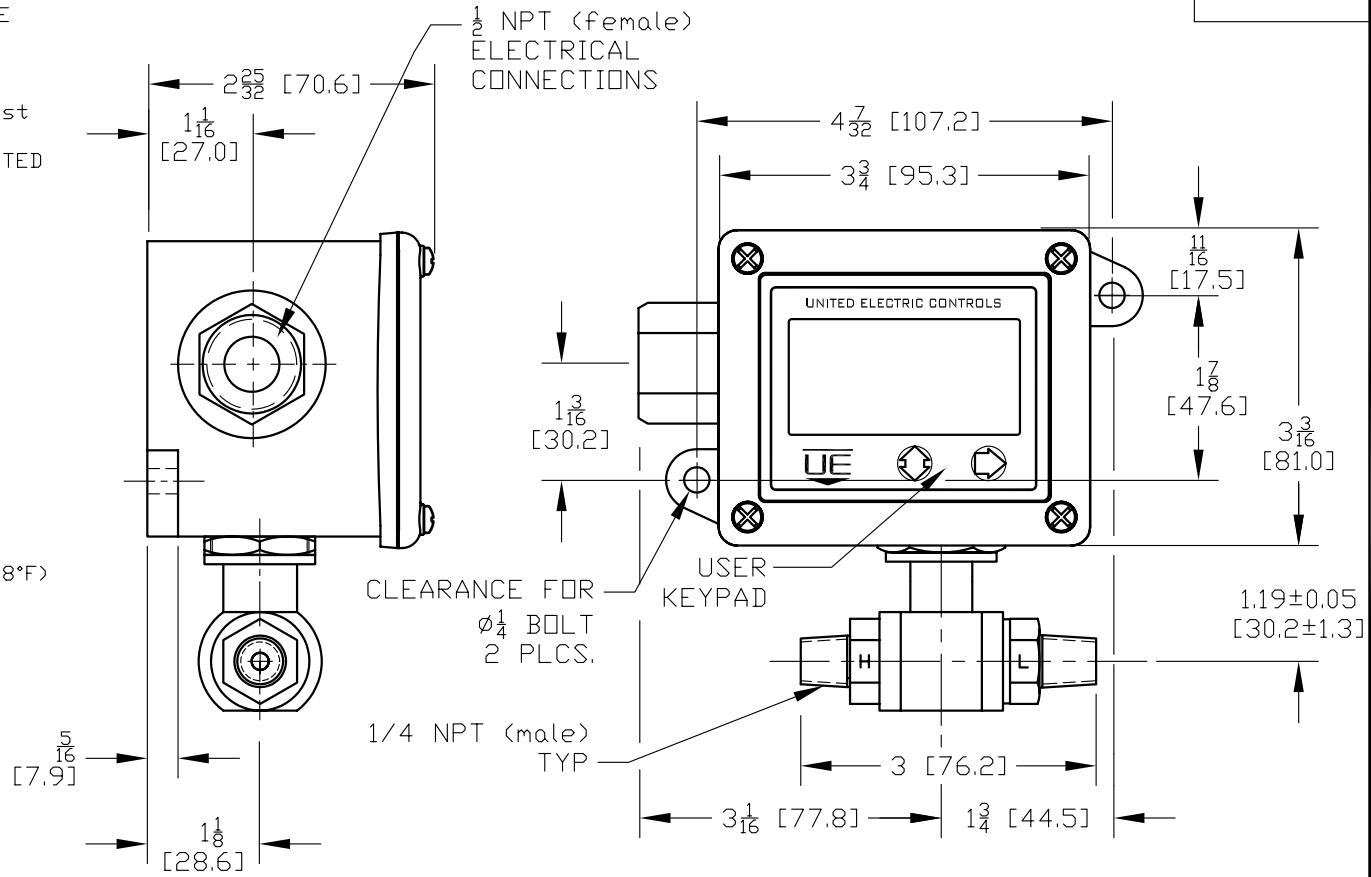
CLASS III;

CLASS I, ZONE 2 AEx nC IIC T4A;

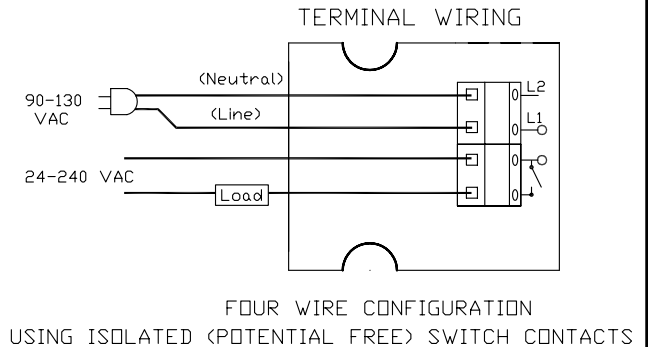
CLASS I, ZONE 2 Ex nC IIC T4A;

T_{amb} = -40°C TO +70°C (-40°F TO 158°F)

ENCLOSURE TYPE 4X



MODEL Kxx	OPERATING RANGE			MAX. OVER PRESSURE		MAX. WORKING PRESSURE	
	LOW psi/bar	HIGH psi	bar	psi	bar	psi	bar
K10	0	5	0,3	10	0,7	50	3,4
K11	0	50	3,4	100	6,9	500	34,5
K12	0	100	6,9	200	13,8	1000	69,0
K13	0	200	13,8	400	27,6	1000	69,0



**AGENCY CRITICAL COMPONENT,
 NO SUBSTITUTIONS ALLOWED
 WITHOUT UEC ENGINEERING APPROVAL.**

SYM	DESCRIPTION	DATE	DWN	APPD
C	REVISED TITLE BLOCK INFO. ECN#E2723	6-2-08	SR	LK
B	REDRAWN. 3" DIM. WAS 3-17/32 & 1.19 WAS 15/16. ADDED THERMAL OFFSET & THERMAL SENSITIVITY. ECN# E2475	10/10/07	PLW	D.W.
A	FIRST ISSUE. ECN#E1246	5-27-05	SR	HN

REVISIONS

ORIGINAL DATE	5-27-05
DRWN	S. ROBAK
CHKD	AB
APPD	HN
UNLESS OTHERWISE SPECIFIED DIMENSIONS ARE IN INCHES TOLERANCES ON FRACTIONS ±1/64 2 PLACE DEC 3 PLACE DEC ANGLES ±0.010 ±0.005 ±1/2° DO NOT SCALE THIS DRAWING	

TITLE	ONE SERIES 4W3A01Kxx DIFFERENTIAL PRESSURE SINGLE SWITCH
SCALE	1:2

DF001D

UNITED ELECTRIC CONTROLS COMPANY
 WATERTOWN * MASSACHUSETTS

DWG NO
 A-13841