

SPECIFICATIONS:

(SPECIFICATIONS AT 25°C (77°F) AND NOMINAL VOLTAGE UNLESS OTHERWISE NOTED.)

MECHANICAL:

WETTED MATERIALS:

PROCESS CONNECTION - 316 st/st

WEIGHT: 1.40 LBS. (0.63 kg)

ENCLOSURE:

TYPE 380 ALUMINUM; EPOXY POWDER COATED

ELECTRICAL:

ELECTRICAL CONNECTION:

3 POSITION TERMINAL BLOCK

SWITCH SPECS.:

OFF (OPEN): 90 TO 130 VOLTS AC/DC @ 1mA MAX.

ON (CLOSED): 12 VOLTS AC/DC @ 100mA MAX.

SWITCH PROTECTION:

SHORT CIRCUIT

OVER-VOLTAGE: 150V

OPERATING:

OVERALL ACCURACY:

±1% OF MAX. OPERATING RANGE VALUE

SET POINT REPEATABILITY:

±0.2% OF MAX. OPERATING RANGE VALUE

LONG TERM STABILITY:

±0.25 OF RANGE PER YEAR, MAX.

AMBIENT TEMPERATURE:

OPERATING: -40°C TO 85°C (-40°F TO 185°F)

LCD VISIBILITY TEMP: -12°C TO 80°C (10°F TO 176°F)

STORAGE: -40°C TO 85°C (-40°F TO 185°F)

COMPENSATED TEMPERATURE RANGE:

0°C TO 70°C (32°F TO 158°F)

THERMAL OFFSET: ±0.5%

THERMAL SENSITIVITY: ±0.75%

MEDIA TEMPERATURE:

-40°C TO 125°C (-40°F TO 257°F)

APPROVALS:

NONINCENDIVE APPLICATIONS:

UL LISTED, cUL CERTIFIED

CLASS I, DIVISION 2, GROUPS A, B, C & D;

CLASS II, DIVISION 2, GROUPS F & G;

CLASS III;

CLASS I, ZONE 2 AEx nC IIC T5;

CLASS I, ZONE 2 Ex nC IIC T5;

Tamb.=-40°C TO +85°C (-40°F TO 185°F)

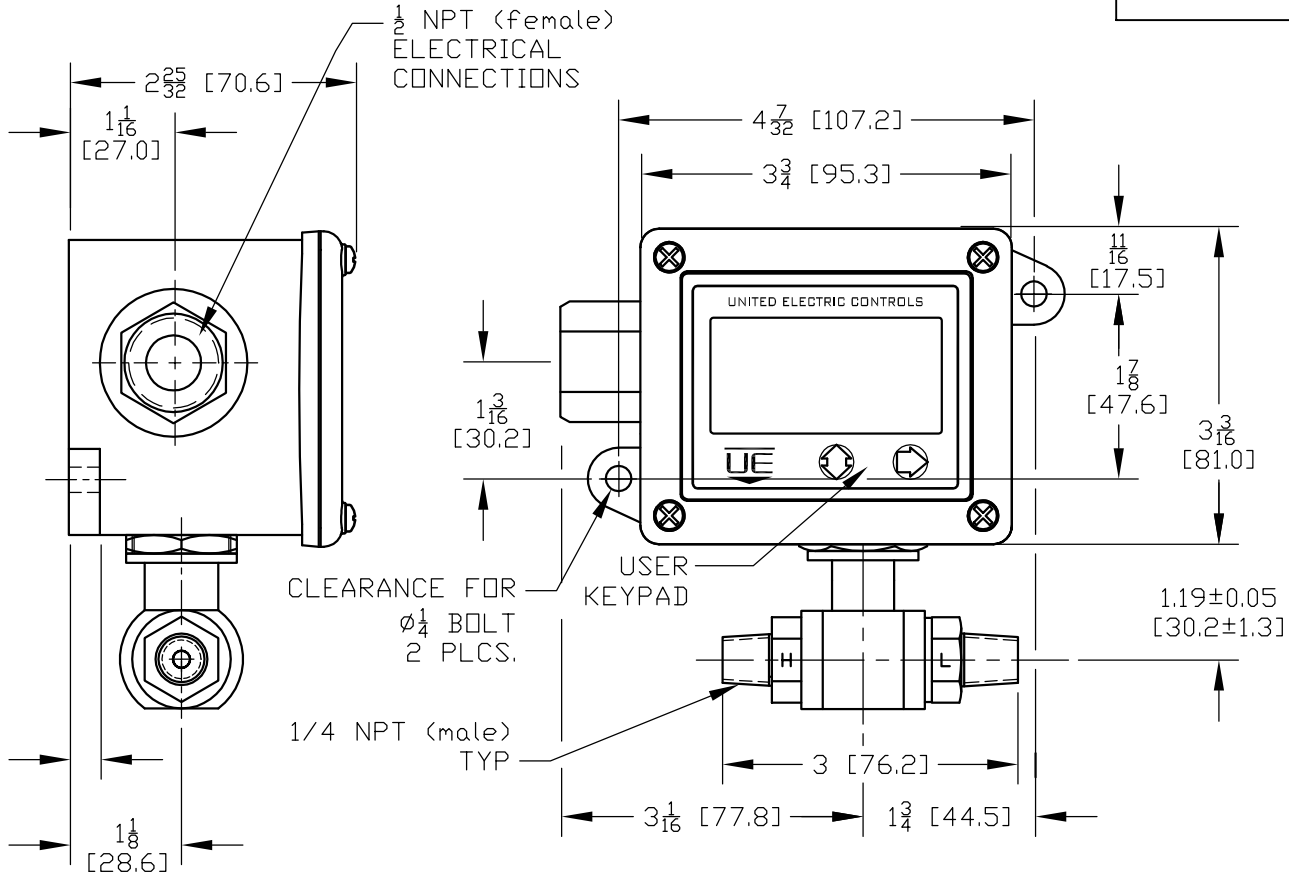
ENCLOSURE TYPE 4X



DEMKO 03 ATEX 135585X
-40°C<Tamb.<+85°C, IP66



II 3 G EEx nL IIC T5
II 3 D T+90°C



**AGENCY CRITICAL COMPONENT,
NO SUBSTITUTIONS ALLOWED
WITHOUT UEC ENGINEERING APPROVAL.**

MODEL Kxx	OPERATING RANGE			MAX. OVER PRESSURE		MAX. WORKING PRESSURE	
	LOW psi/bar	HIGH psi	bar	psi	bar	psi	bar
K10	0	5	0,3	10	0,7	50	3,4
K11	0	50	3,4	100	6,9	500	34,5
K12	0	100	6,9	200	13,8	1500	103,4
K13	0	200	13,8	400	27,6	1500	103,4

TERMINAL BLOCK
FUNCTION
SWITCH OUTPUT
EARTH/CHASSIS GROUND
SWITCH OUTPUT

THIS DOCUMENT IS PROPRIETARY PROPERTY OF UNITED ELECTRIC CONTROLS. UNAUTHORIZED USE IS STRICTLY PROHIBITED.

SYM	DESCRIPTION	DATE	DWN	APPD
E	K12 & K13: MAX WORKING PRESSURE WAS 1000 psi/69,0 bar. ECN# E4062.	5/31/11	MJF	RAM
D	REVISED TITLE BLOCK INFO. ECN#E2723	6-2-08	SR	LK
C	3" DIM. WAS 3-17/32 & 1.19 WAS 15/16. ADDED THERMAL OFFSET & THERMAL SENSITIVITY. ECN# E2475	10/10/07	PLW	D.W.
B	DELETED SCHEMATIC SYMBOLS FROM TERMINAL BLOCK CHART. ECN#E2231	4-6-07	SR	IM
A	FIRST ISSUE. ECN#E1210	5-26-05	SR	HN

ORIGINAL DATE	5-26-05
DRWN	S. ROBAK
CHKD	AB
APPD	HN
UNLESS OTHERWISE SPECIFIED DIMENSIONS ARE IN INCHES	
TOLERANCES ON FRACTIONS ±1/64	
2 PLACE DEC 3 PLACE DEC ANGLES ±0.010 ±0.005 ±1/2°	
DO NOT SCALE THIS DRAWING	

TITLE
ONE SERIES
2W3A00Kxx
DIFFERENTIAL
PRESSURE
SINGLE SWITCH
SCALE 1:2

DF001D
UE
UNITED ELECTRIC
CONTROLS COMPANY
WATERTOWN * MASSACHUSETTS
DWG NO
A-13840