

SPECIFICATIONS:

(SPECIFICATIONS AT 25°C (77°F) AND NOMINAL VOLTAGE UNLESS OTHERWISE NOTED.)

MECHANICAL:

WETTED MATERIALS: PROCESS CONNECTION - 316 st/st
 WEIGHT: 1.40 LBS. (0.63 kg)
 ENCLOSURE: TYPE 380 ALUMINUM; EPOXY POWDER COATED;
 SHALL NOT CONTAIN, BY MASS MORE THAN 6% OF MAGNESIUM.

ELECTRICAL:

ELECTRICAL CONNECTION: 3 POSITION TERMINAL BLOCK
 SWITCH SPECS.:
 OFF (OPEN): 12 TO 30 VDC @ 0.75mA MAX.
 ON (CLOSED): 4.7 VDC @ 40mA MAX.

SWITCH PROTECTION:

SHORT CIRCUIT
 REVERSE POLARITY
 OVER-VOLTAGE 50 VDC

OPERATING:

OVERALL ACCURACY:
 ±1% OF MAX. OPERATING RANGE VALUE
 SET POINT REPEATABILITY:
 ±0.2% OF MAX. OPERATING RANGE VALUE
 LONG TERM STABILITY: ±0.25 OF RANGE PER YEAR, MAX.
 AMBIENT TEMPERATURE:
 OPERATING: -40°C TO 85°C (-40°F TO 185°F)
 LCD VISIBILITY TEMP: -12°C TO 80°C (10°F TO 176°F)
 STORAGE: -40°C TO 85°C (-40°F TO 185°F)
 COMPENSATED TEMPERATURE RANGE:
 0°C TO 70°C (32°F TO 158°F)
 THERMAL OFFSET: ±0.5%
 THERMAL SENSITIVITY: ±0.75%
 MEDIA TEMPERATURE:
 -40°C TO 125°C (-40°F TO 257°F)

APPROVALS:

INTRINSICALLY SAFE:
 UL LISTED, cUL CERTIFIED
 CLASS I, DIVISION 1 & 2, GROUPS A, B, C, & D;
 CLASS II, DIVISION 1 & 2, GROUPS E, F, & G;
 CLASS III;
 CLASS I, ZONE 0 AEx ia IIC T5;
 CLASS I, ZONE 0 Ex ia IIC T5;
 Tamb.=-40°C TO +85°C (-40°F TO +185°F)
 ENCLOSURE TYPE 4X



DEMKO 03 ATEX 0322281X
 -40°C<Tamb.<+85°C, IP66



II 1 G EEx ia IIC T5
 II 1 D T+90°C

NONINCENDIVE APPLICATIONS:

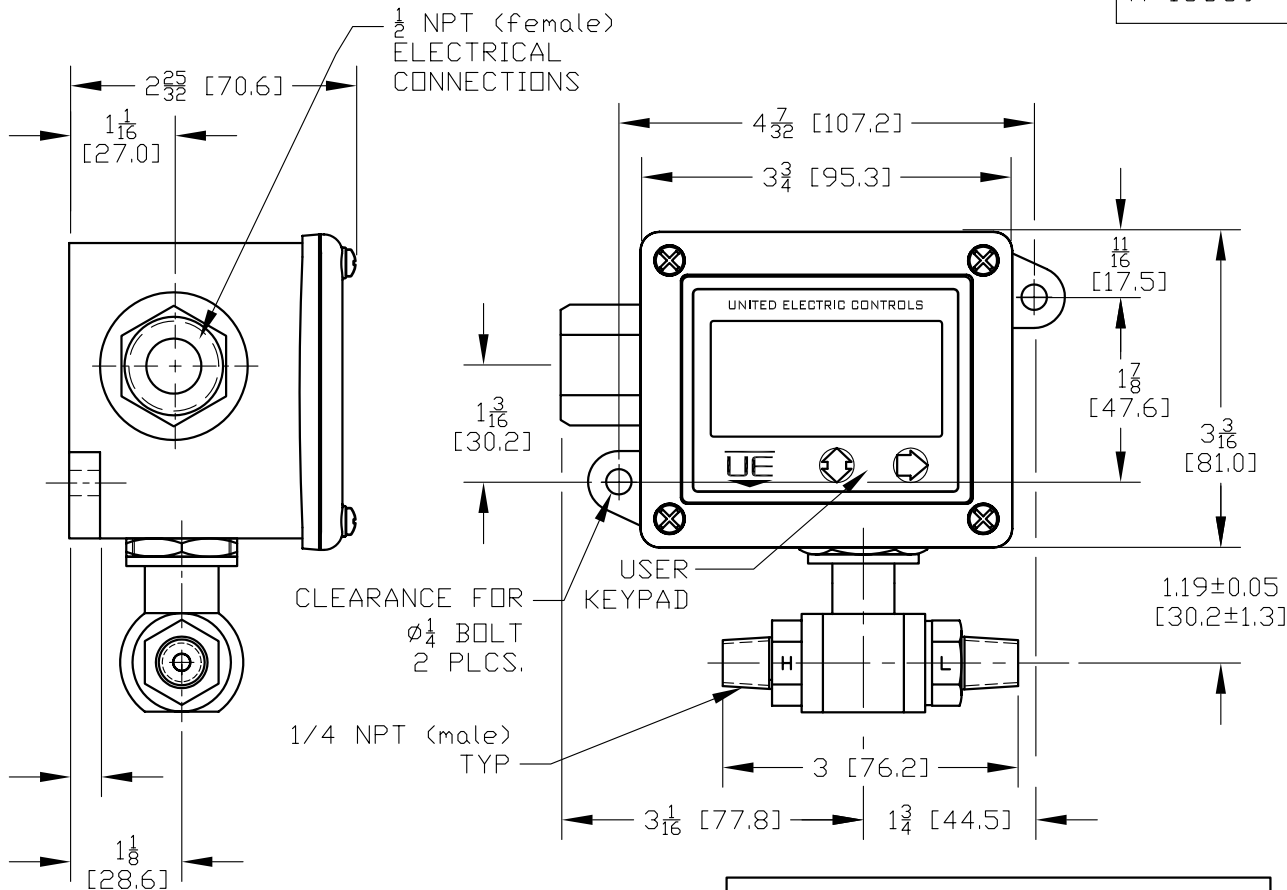
UL LISTED, cUL CERTIFIED
 CLASS I, DIVISION 2, GROUPS A, B, C, & D;
 CLASS II, DIVISION 2, GROUPS F & G;
 CLASS III;
 CLASS I, ZONE 2 AEx nC IIC T5;
 CLASS I, ZONE 2 Ex nC IIC T5;
 Tamb.=-40°C TO +85°C (-40°F TO +185°F)
 ENCLOSURE TYPE 4X



DEMKO 03 ATEX 0322281X
 -40°C<Tamb.<+85°C, IP66



II 3 G EEx nL IIC T5
 II 3 D T+90°C



**AGENCY CRITICAL COMPONENT,
 NO SUBSTITUTIONS ALLOWED
 WITHOUT UEC ENGINEERING APPROVAL.**

MODEL Kxx	OPERATING RANGE		MAX. OVER PRESSURE		MAX. WORKING PRESSURE	
	LOW psi/bar	HIGH psi bar	psi	bar	psi	bar
K10	0	5	10	0,7	50	3,4
K11	0	50	100	6,9	500	34,5
K12	0	100	200	13,8	1000	69,0
K13	0	200	400	27,6	1000	69,0

TERMINAL BLOCK	
FUNCTION	POSITION
SWITCH NEGATIVE	-
EARTH/CHASSIS GROUND	⏏
SWITCH POSITIVE	+

ORIGINAL DATE	5-26-05
DRWN	S. ROBAK
CHKD	AB
APPD	HN
UNLESS OTHERWISE SPECIFIED DIMENSIONS ARE IN INCHES	
DO NOT SCALE THIS DRAWING	

TITLE
 ONE SERIES
 2W2D00Kxx
 DIFFERENTIAL
 PRESSURE
 SINGLE SWITCH
 SCALE 1:2

DF001D

 UNITED ELECTRIC
 CONTROLS COMPANY
 WATERTOWN * MASSACHUSETTS
 DWG NO
 A-13839

THIS DOCUMENT IS PROPRIETARY PROPERTY OF UNITED ELECTRIC CONTROLS. UNAUTHORIZED USE IS STRICTLY PROHIBITED.

REVISIONS				
SYM	DESCRIPTION	DATE	DWN	APPD
C	REDRAWN; REVISED TITLE BLOCK INFO. ECN#E2723	6-24-08	SR	LK