

SPECIFICATIONS:

(SPECIFICATIONS AT 25°C (77°F) AND NOMINAL VOLTAGE UNLESS OTHERWISE NOTED.)

MECHANICAL:

WETTED MATERIALS: 316 st/st
 WEIGHT: 1.40 LBS. (0.63 kg)
 ENCLOSURE: TYPE 380 ALUMINUM; EPOXY POWDER COATED;
 SHALL NOT CONTAIN, BY MASS MORE THAN 6% OF MAGNESIUM.

ELECTRICAL:

ELECTRICAL CONNECTION:
 4-20 mA LOOP: 2 POSITION TERMINAL BLOCK
 14-26 AWG WIRE
 SWITCH OUTPUT: 3 POSITION TERMINAL BLOCK
 14-22 AWG WIRE

RATING: 4-20 mA OUTPUT, 10-36 VDC @ 24 mA MAX

$$RL(max) = \frac{(V_{in} - 9)}{0.024}$$

SWITCH OUTPUT:

MODEL:
 2WLP41xxx 140 VAC/DC, 0.6 A MAX. CONT.,
 2 A PEAK (100 MSec)
 2WLP43xxx 280 VAC/DC, 0.3 A MAX. CONT.,
 1 A PEAK (100 MSec)
 (DERATE AT 8% PER 10°C OR 4.6% PER 10°F)

OPERATING:

OVERALL ACCURACY:
 ±1% OF MAX. OPERATING RANGE VALUE
 SET POINT REPEATABILITY:
 ±0.2% OF MAX. OPERATING RANGE VALUE
 LONG TERM STABILITY:
 ±0.25% OF RANGE PER YEAR, MAX.

AMBIENT TEMPERATURE:

OPERATING: -40°C TO 80°C (-40°F TO 176°F)
 COMPENSATED TEMPERATURE RANGE:
 0°C TO 70°C (32°F TO 158°F)

LCD VISIBILITY TEMP: -12°C TO 80°C (10°F TO 176°F)

STORAGE: -40°C TO 85°C (-40°F TO 185°F)

THERMAL OFFSET: ±0.5%

THERMAL SENSITIVITY: ±0.75%

MEDIA TEMPERATURE:

-40°C TO 125°C (-40°F TO 257°F)

REFER TO NAMEPLATE FOR OPERATING TEMPERATURE RANGE.

APPROVALS:

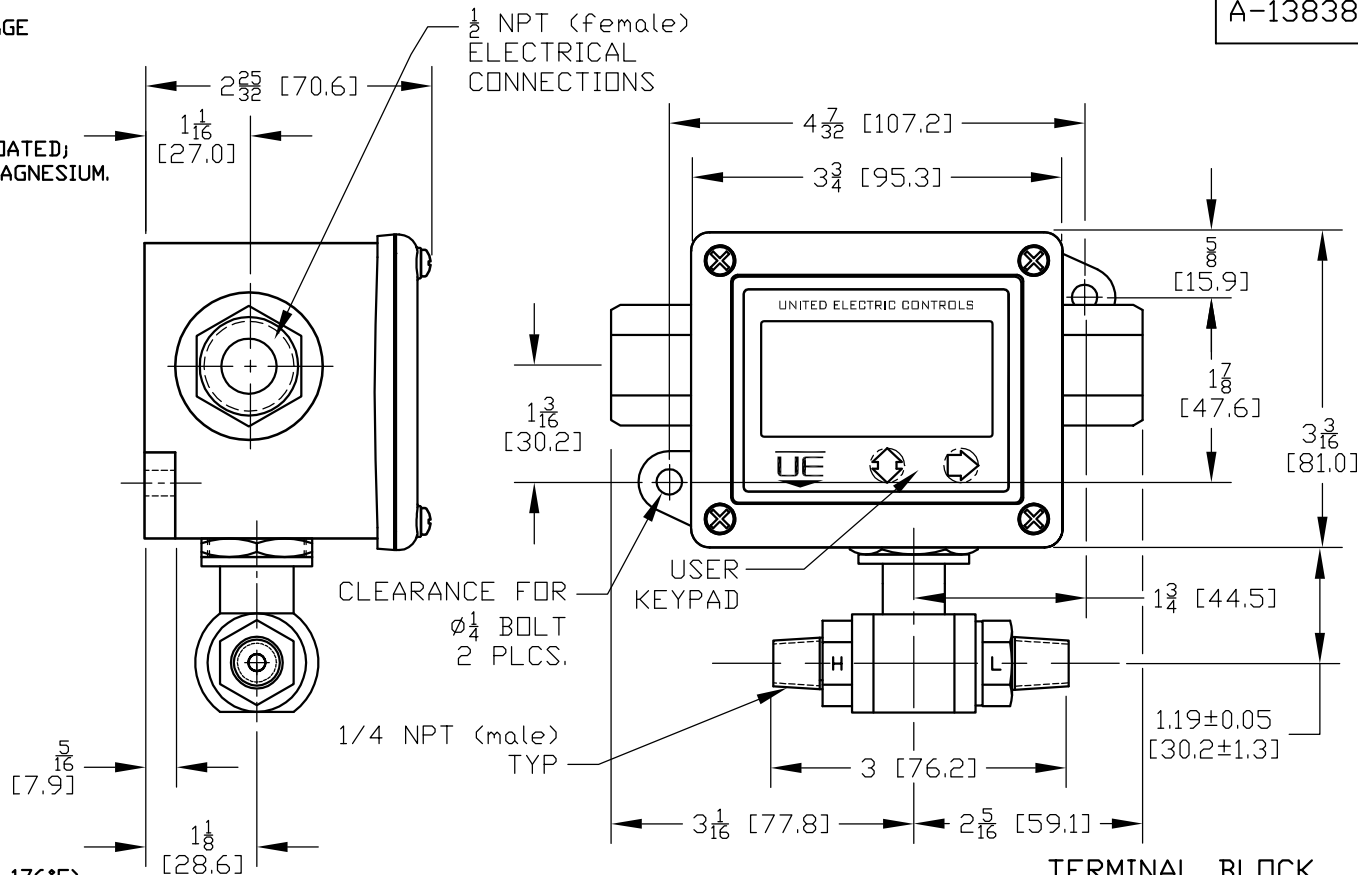
NONINCENDIVE APPLICATIONS:
 UL LISTED, cUL CERTIFIED
 CLASS I, DIVISION 2, GROUPS A, B, C, & D;
 CLASS II, DIVISION 2, GROUPS F & G;
 CLASS III;
 CLASS I, ZONE 2 AEx nC IIC T4;
 CLASS I, ZONE 2 Ex nC IIC T4;
 Tamb. = -40°C TO +80°C (-40°F TO +176°F)
 ENCLOSURE TYPE 4X



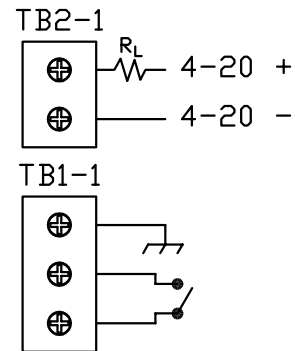
DEMKO 03 ATEX 0322281X
 -40°C < Tamb. < +80°C, IP66



II 3 G EEx nL IIC T4
 II 3 D T+130°C



TERMINAL BLOCK



MODEL Kxx	OPERATING RANGE		MAX. OVER PRESSURE		MAX. WORKING PRESSURE		
	LOW psi/bar	HIGH psi bar	psi	bar	psi	bar	
K10	0	5	0,3	10	0,7	50	3,4
K11	0	50	3,4	100	6,9	500	34,5
K12	0	100	6,9	200	13,8	1500	103,4
K13	0	200	13,8	400	27,6	1500	103,4

ORIGINAL DATE	5-3-05
DRWN	S. ROBAK
CHKD	AB
APPD	D. WILBUR

TITLE
 ONE SERIES
 2WLPxxKxx
 DIFFERENTIAL
 PRESSURE
 SINGLE SWITCH
 4-20 mA OUTPUT

DF001D

 UNITED ELECTRIC
 CONTROLS COMPANY
 WATERTOWN * MASSACHUSETTS

SYM	DESCRIPTION	DATE	DWN	APPD
H	K12 & K13: MAX WORKING PRESSURE WAS 1000 psi/69,0 bar. ECN# E4062	5/31/11	MJF	RAM
G	REDRAWN; REVISED TITLE BLOCK INFO. ECN# E2723	6-24-08	SR	LK

REVISIONS

DO NOT SCALE THIS DRAWING

SCALE 1:2

DWG NO
 A-13838

THIS DOCUMENT IS PROPRIETARY PROPERTY OF UNITED ELECTRIC CONTROLS. UNAUTHORIZED USE IS STRICTLY PROHIBITED.