

**SPECIFICATIONS:**

(SPECIFICATIONS AT 25°C (77°F) AND NOMINAL VOLTAGE UNLESS OTHERWISE NOTED.)

**MECHANICAL:**

WETTED MATERIALS: 316 st/st BULB  
304 st/st CABLE

WEIGHT: 1.40 LBS. (0.63 kg)  
ENCLOSURE: TYPE 380 ALUMINUM; EPOXY POWDER COATED;  
SHALL NOT CONTAIN, BY MASS MORE THAN 6% OF MAGNESIUM.

**ELECTRICAL:**

ELECTRICAL CONNECTION:  
4-20 mA LOOP: 2 POSITION TERMINAL BLOCK  
14-26 AWG WIRE  
SWITCH OUTPUT: 3 POSITION TERMINAL BLOCK  
14-22 AWG WIRE

RATING: 4-20 mA OUTPUT, 10-36 VDC @ 24 mA MAX  
 $RL(max) = \frac{(V_{in} - 9)}{0.024}$

**SWITCH OUTPUT:**

MODEL:  
2WLP41xxx 140 VAC/DC, 0.6 A MAX. CONT.,  
2 A PEAK (100 MSec)  
2WLP43xxx 280 VAC/DC, 0.3 A MAX. CONT.,  
1 A PEAK (100 MSec)  
(DERATE AT 8% PER 10°C OR 4.6% PER 10°F)

**OPERATING:**

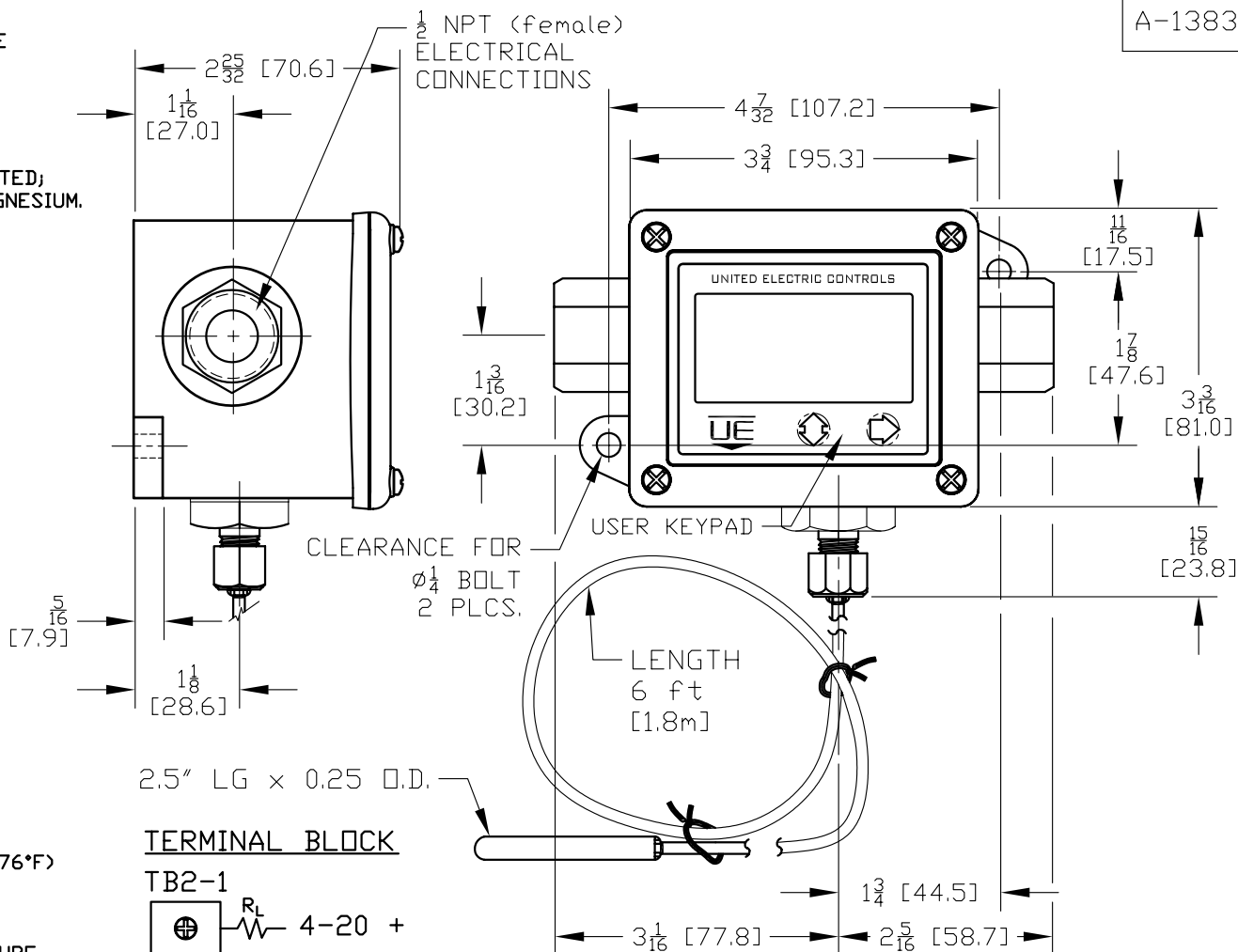
OVERALL ACCURACY:  
±1% OF MAX. OPERATING RANGE VALUE  
SET POINT REPEATABILITY:  
±0.2% OF MAX. OPERATING RANGE VALUE  
LONG TERM STABILITY:  
±0.25% OF RANGE PER YEAR, MAX.  
AMBIENT TEMPERATURE:  
OPERATING: -40°C TO 80°C (-40°F TO 176°F)  
LCD VISIBILITY TEMP: -12°C TO 80°C (10°F TO 176°F)  
STORAGE: -40°C TO 80°C (-40°F TO 176°F)  
MEDIA TEMPERATURE:  
-184°C TO 538°C (-300°F TO 1000°F)  
REFER TO NAMEPLATE FOR OPERATING TEMPERATURE RANGE.

**APPROVALS:**

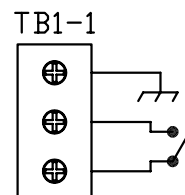
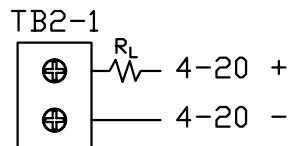
NONINCENDIVE APPLICATIONS:  
UL LISTED, cUL CERTIFIED  
CLASS I, DIVISION 2, GROUPS A, B, C, & D;  
CLASS II, DIVISION 2, GROUPS F & G;  
CLASS III;  
CLASS I, ZONE 2 AEx nC IIC T4;  
CLASS I, ZONE 2 Ex nC IIC T4;  
T<sub>amb</sub> = -40°C TO +80°C (-40°F TO +176°F)  
ENCLOSURE TYPE 4X

CE DEMKO 03 ATEX 0322281X  
-40°C < T<sub>amb</sub> < +80°C, IP66

Ex II 3 G EEx nL IIC T4  
II 3 D T+130°C



**TERMINAL BLOCK**



MODEL Txx	LENGTH	OPER. RANGE
TH1	6'	-50 TO 1000°F
THC	0-30'	
TC1	6'	-300 TO 200°F
TCC	0-30'	

ORIGINAL DATE 5-3-05  
DRWN S. ROBAK  
CHKD AB  
APPD D. WILBUR

UNLESS OTHERWISE SPECIFIED  
DIMENSIONS ARE IN INCHES

TITLE  
ONE SERIES  
2WLPxxTxx  
REMOTE  
CRYOGENIC/  
HIGH TEMPERATURE  
SINGLE SWITCH  
4-20 mA OUTPUT

DF001D  
UNITED ELECTRIC  
CONTROLS COMPANY  
WATERTOWN \* MASSACHUSETTS

DWG NO  
A-13837

SYM	DESCRIPTION	DATE	DWN	APPD
E	REDRAWN; REVISED TITLE BLOCK INFO. ADDED OPER. RANGE TO CHART. ECN#E2723	6-24-08	SR	LK
REVISIONS				

DO NOT SCALE THIS DRAWING

SCALE 1:2