

**SPECIFICATIONS:**

(SPECIFICATIONS AT 25°C (77°F) AND NOMINAL VOLTAGE UNLESS OTHERWISE NOTED.)

**MECHANICAL:**

WETTED MATERIALS: 316 st/st  
 WEIGHT: 1.40 LBS. (0.63 kg)  
 ENCLOSURE: TYPE 380 ALUMINUM; EPOXY POWDER COATED;  
 SHALL NOT CONTAIN, BY MASS MORE THAN 6% OF MAGNESIUM.

**ELECTRICAL:**

ELECTRICAL CONNECTION:  
 4-20 mA LOOP: 2 POSITION TERMINAL BLOCK  
 14-26 AWG WIRE  
 SWITCH OUTPUT: 3 POSITION TERMINAL BLOCK  
 14-22 AWG WIRE

RATING: 4-20 mA OUTPUT, 10-36 VDC @ 24 mA MAX

$$R_{L(max)} = \frac{V_{in} - 9}{0.024}$$

**SWITCH OUTPUT:**

MODEL:  
 2WLP41xxx 140 VAC/DC, 0.6 A MAX. CONT.,  
 2 A PEAK (100 MSec)  
 2WLP43xxx 280 VAC/DC, 0.3 A MAX. CONT.,  
 1 A PEAK (100 MSec)  
 (DERATE AT 8% PER 10°C OR 4.6% PER 10°F)

**OPERATING:**

OVERALL ACCURACY:  
 ±1% OF MAX. OPERATING RANGE VALUE  
 SET POINT REPEATABILITY:  
 ±0.2% OF MAX. OPERATING RANGE VALUE  
 LONG TERM STABILITY:  
 ±0.25% OF RANGE PER YEAR, MAX.

**AMBIENT TEMPERATURE:**

OPERATING: -40°C TO 80°C (-40°F TO 176°F)  
 LCD VISIBILITY TEMP: -12°C TO 80°C (10°F TO 176°F)  
 STORAGE: -40°C TO 85°C (-40°F TO 185°F)

**MEDIA TEMPERATURE:**

-45°C TO 232°C (-50°F TO 450°F)  
 REFER TO NAMEPLATE FOR OPERATING TEMPERATURE RANGE.

**APPROVALS:**

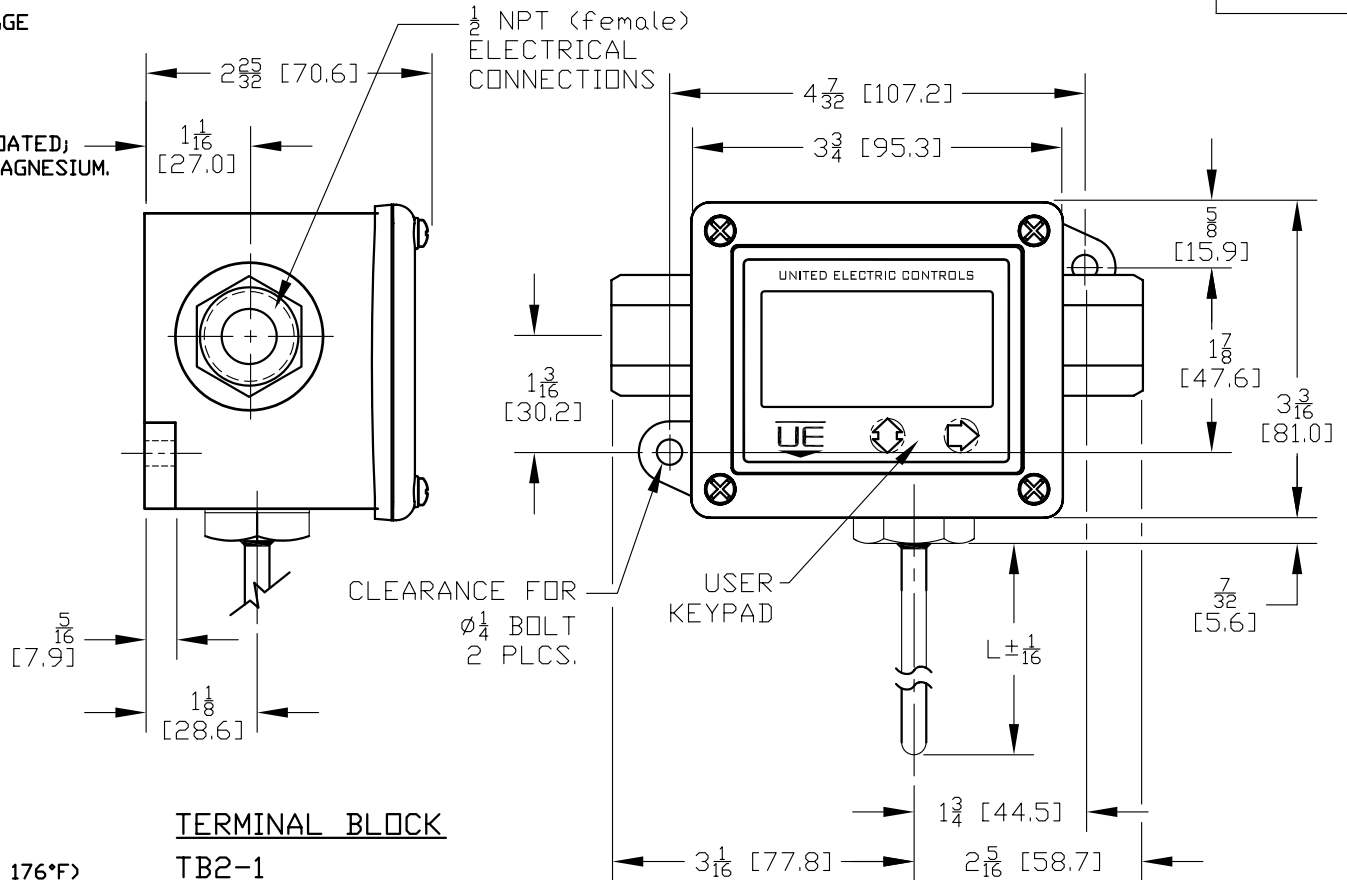
NONINCENDIVE APPLICATIONS:  
 UL LISTED, cUL CERTIFIED  
 CLASS I, DIVISION 2, GROUPS A, B, C, & D;  
 CLASS II, DIVISION 2, GROUPS F & G;  
 CLASS III;  
 CLASS I, ZONE 2 AEx nC IIC T4;  
 CLASS I, ZONE 2 Ex nC IIC T4;  
 Tamb: -40°C TO +80°C (-40°F TO +176°F)  
 ENCLOSURE TYPE 4X



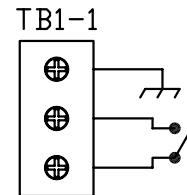
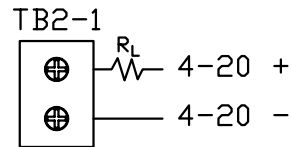
DEMKO 03 ATEX 0322281X  
 -40°C < Tamb < +80°C, IP66



II 3 G EEx nL IIC T4  
 II 3 D T+130°C



**TERMINAL BLOCK**



MODEL Lx	DIM "L"	
	in.	[mm]
L1	4	[102]
L2	6	[153]
L3	10	[254]

ORIGINAL DATE	5-3-05
DRWN	S. ROBAK
CHKD	AB
APPD	D. WILBUR

TITLE  
 ONE SERIES  
 2WLPxxTLx  
 LOCAL  
 TEMPERATURE  
 SINGLE SWITCH  
 4-20 mA OUTPUT

DF001D

UNITED ELECTRIC  
 CONTROLS COMPANY  
 WATERTOWN \* MASSACHUSETTS

E	REDRAWN; REVISED TITLE BLOCK INFO. ECN#E2723	6-24-08	SR	LK
SYM	DESCRIPTION	DATE	DWN	APPD

REVISIONS

DO NOT SCALE THIS DRAWING

SCALE 1:2

DWG NO  
 A-13835