

SPECIFICATIONS:

(SPECIFICATIONS AT 25°C (77°F) AND NOMINAL VOLTAGE UNLESS OTHERWISE NOTED.)

MECHANICAL:

WETTED MATERIALS: PROCESS CONNECTION - 316 st/st
 WEIGHT: 1.58 LBS. (0.71 kg)
 ENCLOSURE: TYPE 380 ALUMINUM; EPOXY POWDER COATED

ELECTRICAL:

ELECTRICAL CONNECTION:
 4 POSITION TERMINAL BLOCK
 SWITCH SPECS.:

90 TO 130 VAC 10A AT Tamb. 38°C (100°F)
 DERATE AT 1.8A PER 10°C (18°F)

OPERATING:

OVERALL ACCURACY:

±1% OF MAX. OPERATING RANGE VALUE

SET POINT REPEATABILITY:

±0.2% OF MAX. OPERATING RANGE VALUE

LONG TERM STABILITY:

±0.25 OF RANGE PER YEAR, MAX.

AMBIENT TEMPERATURE:

OPERATING: -40°C TO 70°C (-40°F TO 158°F)

LCD VISIBILITY TEMP: -12°C TO 70°C (10°F TO 158°F)

STORAGE: -40°C TO 85°C (-40°F TO 185°F)

MEDIA TEMPERATURE:

-184°C TO 538°C (-300°F TO 1000°F)

REFER TO NAMEPLATE FOR OPERATING TEMPERATURE RANGE.

APPROVALS:

NONINCENDIVE APPLICATIONS:

UL LISTED, cUL CERTIFIED

CLASS I, DIVISION 2, GROUPS A, B, C & D;

CLASS II, DIVISION 2, GROUPS F & G;

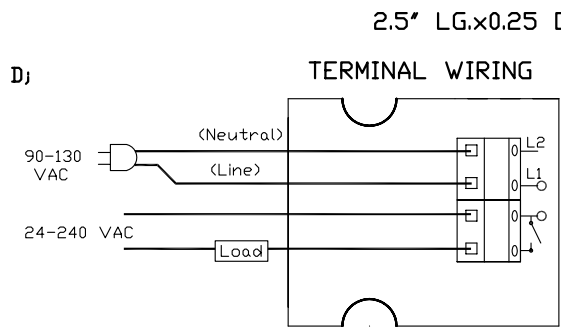
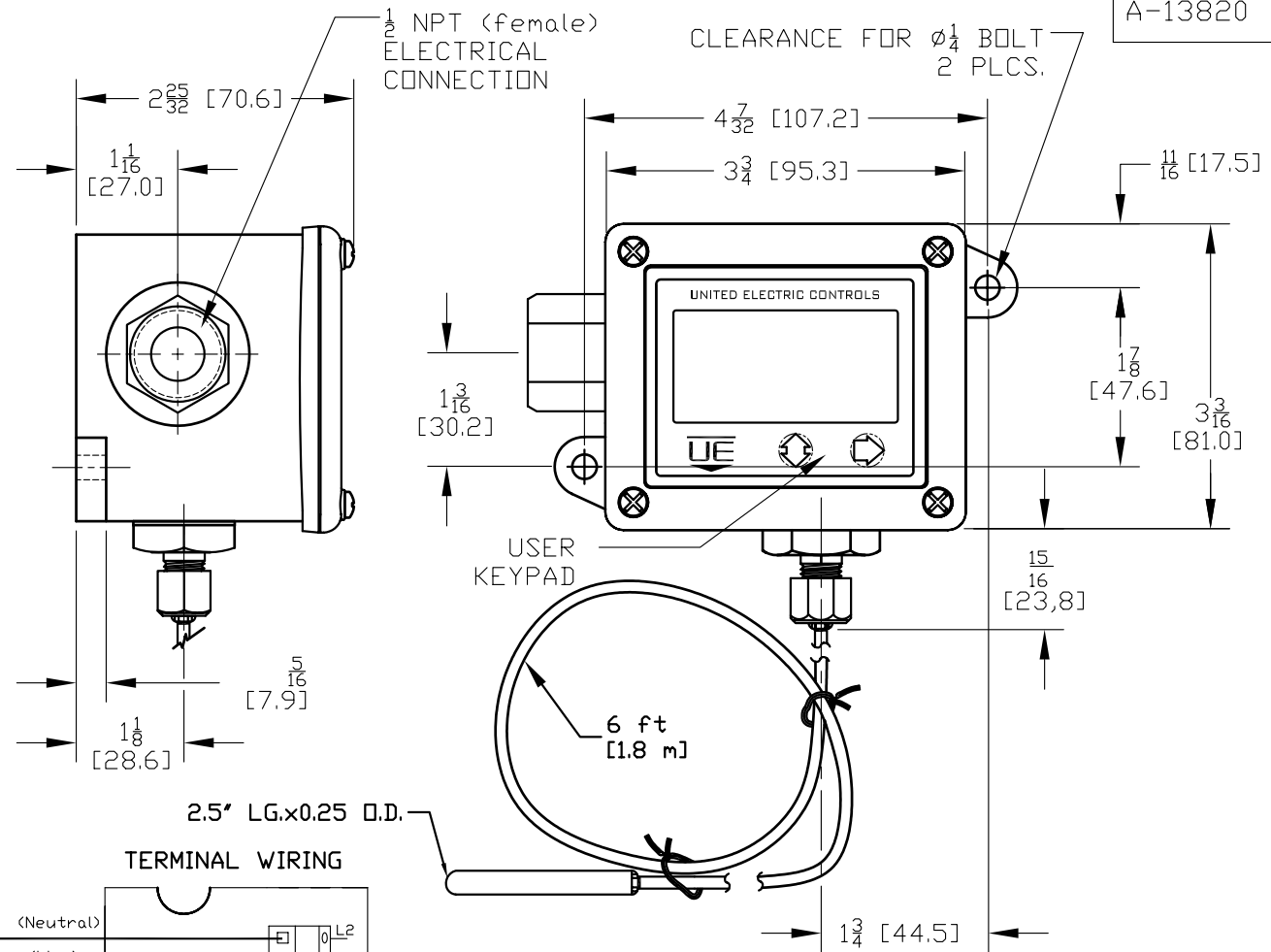
CLASS III;

CLASS I, ZONE 2 AEx nC IIC T4A;

CLASS I, ZONE 2 Ex nC IIC T4A;

Tamb. = -40°C TO +70°C (-40°F TO 158°F)

ENCLOSURE TYPE 4X



**FOUR WIRE CONFIGURATION
 USING ISOLATED (POTENTIAL FREE) SWITCH CONTACTS**

MODEL	OPER. RANGE
Tx1	
TH1	-50 TO 1000°F
TC1	-300 TO 200°F

SYM	DESCRIPTION	DATE	DWN	APPD
E	REVISED TITLE BLOCK INFO. ADDED OPER. RANGE CHART. ECN#E2723	6-24-08	SR	LK
D	MEDIA TEMP. RANGE WAS -45°C TO 538°C. ADDED OPER. TEMP. NOTE. ECN#E1165	3/21/05	PLW	D.W.
C	DELETED MODEL/LENGTH CHART ECN#E1091	1/26/05	AB	D.W.
B	TERMINAL WIRING WAS IN CHART FORM. ADDED SENSOR CHART. APPROVALS, T4A WAS TS. ECN# E0878	7/29/04	PLW	D.W.
A	FIRST ISSUE. ECN# E0809	5/27/04	PLW	D.W.

ORIGINAL DATE	5/27/04
DRWN	PLW
CHKD	A.B.
APPD	D.W.
UNLESS OTHERWISE SPECIFIED DIMENSIONS ARE IN INCHES	
DO NOT SCALE THIS DRAWING	

TITLE
 ONE SERIES
 4W3A01Tx1
 REMOTE
 CRYOGENIC/
 HIGH TEMPERATURE
 SINGLE SWITCH

DF001D

 UNITED ELECTRIC
 CONTROLS COMPANY
 WATERTOWN * MASSACHUSETTS
 DWG NO
 A-13820

**AGENCY CRITICAL COMPONENT,
 NO SUBSTITUTIONS ALLOWED
 WITHOUT UEC ENGINEERING APPROVAL.**