

A-13818

SPECIFICATIONS:

(SPECIFICATIONS AT 25°C (77°F) AND NOMINAL VOLTAGE UNLESS OTHERWISE NOTED.)

MECHANICAL:

WETTED MATERIALS: PROCESS CONNECTION - 316 st/st
 WEIGHT: 1.58 LBS. (0.71 kg)
 ENCLOSURE: TYPE 380 ALUMINUM; EPOXY POWDER COATED

ELECTRICAL:

ELECTRICAL CONNECTION:
 4 POSITION TERMINAL BLOCK

SWITCH SPECS.:

90 TO 130 VAC, 10A AT Tamb. 38°C (100°F)
 DERATE AT 1.8A PER 10°C (18°F)

OPERATING:

OVERALL ACCURACY:

±1% OF MAX. OPERATING RANGE VALUE

SET POINT REPEATABILITY:

±0.2% OF MAX. OPERATING RANGE VALUE

LONG TERM STABILITY:

±0.25 OF RANGE PER YEAR, MAX.

AMBIENT TEMPERATURE:

OPERATING: -40°C TO 70°C (-40°F TO 158°F)
 LCD VISIBILITY TEMP: -12°C TO 70°C (10°F TO 158°F)
 STORAGE: -40°C TO 85°C (-40°F TO 185°F)

MEDIA TEMPERATURE:

-45°C TO 232°C (-50°F TO 450°F)
 REFER TO NAMEPLATE FOR OPERATING TEMPERATURE RANGE.

APPROVALS:

NONINCENDIVE APPLICATIONS:
 UL LISTED, cUL CERTIFIED

CLASS I, DIVISION 2, GROUPS A, B, C & D;

CLASS II, DIVISION 2, GROUPS F & G;

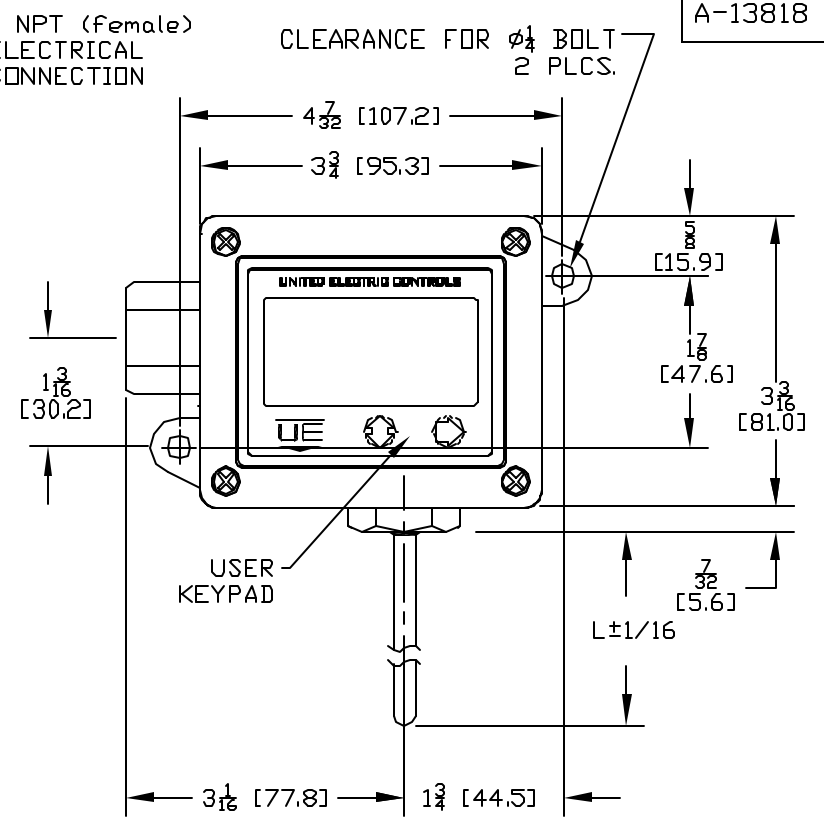
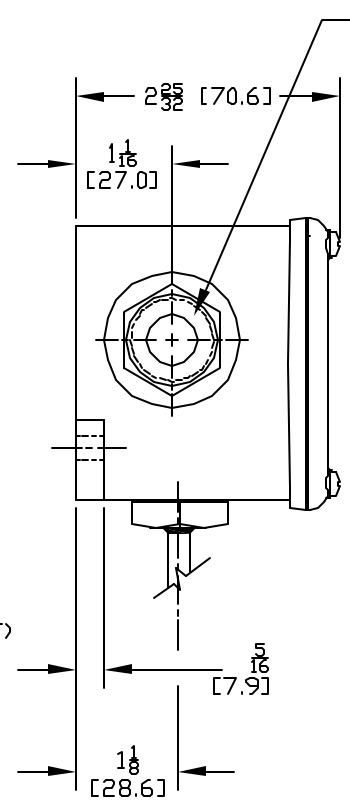
CLASS III;

CLASS I, ZONE 2 AEx nC IIC T4A;

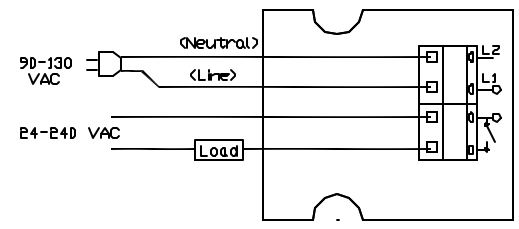
CLASS I, ZONE 2 Ex nC IIC T4A;

Tamb. = -40°C TO +70°C (-40°F TO 158°F)

ENCLOSURE TYPE 4X



TERMINAL WIRING



FOUR WIRE CONFIGURATION
 USING ISOLATED (POTENTIAL FREE) SWITCH CONTACTS

| MODEL | DIM "L" | |
|-------|---------|-------|
| | in. | [mm] |
| L1 | 4 | [102] |
| L2 | 6 | [153] |
| L3 | 10 | [254] |

**AGENCY CRITICAL COMPONENT,
 NO SUBSTITUTIONS ALLOWED
 WITHOUT UEC ENGINEERING APPROVAL**

| SYM | DESCRIPTION | DATE | DNV | APPD |
|-----|--|---------|-----|------|
| C | ADDED OPERATING TEMPERATURE NOTE. ECN#E1165 | 3/21/05 | PLW | D.W. |
| B | TERMINAL WIRING WAS IN CHART FORM. APPROVALS, T4A WAS T5. ECN# E0878 | 7/29/04 | PLW | D.W. |
| A | FIRST ISSUE. ECN# E0809 | 5/27/04 | PLW | D.W. |

| | |
|--|---------|
| ORIGINAL DATE | 5/27/04 |
| DRWN | PLW |
| CHKD | A.B. |
| APPD | D.W. |
| UNLESS OTHERWISE SPECIFIED DIMENSIONS ARE IN INCHES | |
| DO NOT SCALE THIS DRAWING | |

| | |
|----------|---|
| TITLE | 4 WIRE, 115 VOLT TEMPERATURE SWITCH |
| USED ON: | 2W |
| SCALE | .5:1 |

| |
|---|
| DF001D |
| UE UNITED ELECTRIC CONTROLS COMPANY WATERTOWN * MASSACHUSETTS |
| DWG NO A-13818 |