

SPECIFICATIONS:

(SPECIFICATIONS AT 25°C (77°F) AND NOMINAL VOLTAGE UNLESS OTHERWISE NOTED.)

MECHANICAL:

WETTED MATERIALS: PROCESS CONNECTION - 316 st/st
 WEIGHT: 1.58 LBS. (0.71 kg)
 ENCLOSURE: TYPE 380 ALUMINUM, EPOXY POWDER COATED

ELECTRICAL:

ELECTRICAL CONNECTION:
 4 POSITION TERMINAL BLOCK
 SWITCH SPECS.:

90 TO 130 VAC, 10A AT Tamb. 38°C (100°F)
 DERATE AT 1.8A PER 10°C (18°F)

OPERATING:

OVERALL ACCURACY:

±1% OF MAX. OPERATING RANGE VALUE

SET POINT REPEATABILITY:

±0.2% OF MAX. OPERATING RANGE VALUE

LONG TERM STABILITY:

±0.25 OF RANGE PER YEAR, MAX.

AMBIENT TEMPERATURE:

OPERATING: -40°C TO 70°C (-40°F TO 158°F)

LCD VISIBILITY TEMP: -12°C TO 70°C (10°F TO 158°F)

STORAGE: -40°C TO 85°C (-40°F TO 185°F)

MEDIA TEMPERATURE:

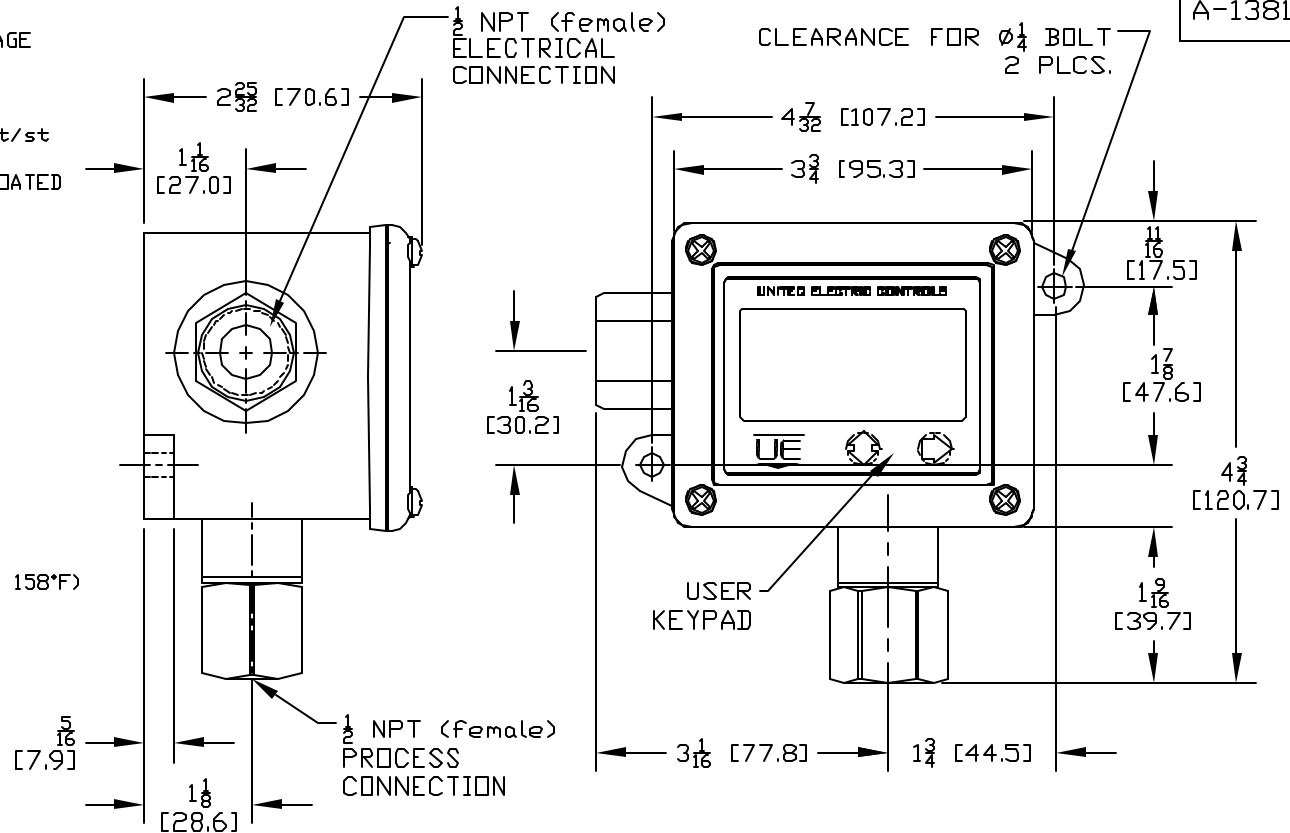
-40°C TO 125°C (-40°F TO 257°F)

APPROVALS:

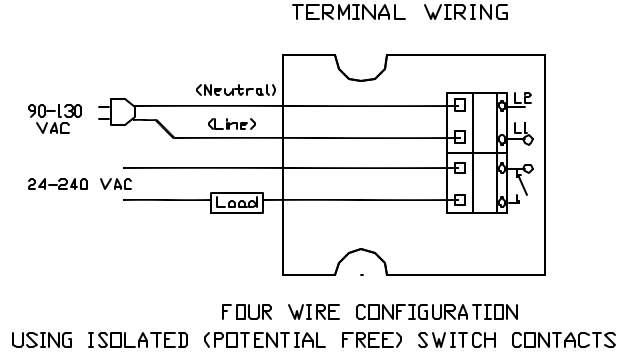
NONINCENDIVE APPLICATIONS:
 UL LISTED, cUL CERTIFIED

CLASS I, DIVISION 2, GROUPS A, B, C & D;
 CLASS II, DIVISION 2, GROUPS F & G;
 CLASS III;
 CLASS I, ZONE 2 AEx nC IIC T4A;
 CLASS I, ZONE 2 Ex nC IIC T4A;
 Tamb. = -40°C TO +70°C (-40°F TO 158°F)
 ENCLOSURE TYPE 4X

A-13817



| MODEL | OPERATING RANGE | | MAX. OVER PRESSURE | | BURST PRESSURE | | |
|-------|-----------------|------|--------------------|------|----------------|-------|--------|
| | LOW | HIGH | psi | bar | psi | bar | |
| 10 | 0 | 5 | 0,3 | 10 | 0,7 | 20 | 1,4 |
| 11 | 0 | 15 | 1,0 | 30 | 2,1 | 60 | 4,1 |
| 12 | 0 | 30 | 2,1 | 60 | 4,1 | 120 | 8,3 |
| 13 | 0 | 50 | 3,4 | 100 | 6,9 | 200 | 13,8 |
| 14 | 0 | 100 | 6,9 | 200 | 13,8 | 400 | 27,6 |
| 15 | 0 | 300 | 20,7 | 600 | 41,4 | 1200 | 82,7 |
| 16 | 0 | 500 | 34,5 | 1000 | 68,9 | 2000 | 137,9 |
| 17 | 0 | 1000 | 68,9 | 2000 | 137,9 | 4000 | 275,8 |
| 18 | 0 | 3000 | 206,8 | 6000 | 413,7 | 12000 | 827,4 |
| 19 | 0 | 4500 | 310,3 | 9000 | 620,6 | 18000 | 1241,1 |



FOUR WIRE CONFIGURATION USING ISOLATED (POTENTIAL FREE) SWITCH CONTACTS

**AGENCY CRITICAL COMPONENT,
 NO SUBSTITUTIONS ALLOWED
 WITHOUT UEC ENGINEERING APPROVAL**

| SYM | DESCRIPTION | DATE | DWN | APPD |
|-----------|--|---------|-----|------|
| B | TERMINAL WIRING WAS IN CHART FORM. APPROVALS, T4A WAS T5. ECN# E0878 | 7/29/04 | PLW | D.W. |
| A | FIRST ISSUE. ECN# E0809 | 5/27/04 | PLW | D.W. |
| REVISIONS | | | | |

| | |
|---|---------|
| ORIGINAL DATE | 5/27/04 |
| DRWN | PLW |
| CHKD | A.B. |
| APPD | D.W. |
| UNLESS OTHERWISE SPECIFIED DIMENSIONS ARE IN INCHES | |

TITLE
 4 WIRE, 115 VOLT
 PRESSURE
 SWITCH
 USED ON: 2W
 SERIES

DF001D

 UNITED ELECTRIC
 CONTROLS COMPANY
 WATERTOWN * MASSACHUSETTS
 DWG NO
 A-13817

DO NOT SCALE THIS DRAWING

SCALE .5:1