

SPECIFICATIONS:

(SPECIFICATIONS AT 25°C (77°F) AND NOMINAL VOLTAGE UNLESS OTHERWISE NOTED.)

MECHANICAL:

WETTED MATERIALS: 316 st/st BULB
304 st/st CABLE

WEIGHT: 1.40 LBS. (0.63 kg)
ENCLOSURE: DIE CAST ALUMINUM; EPOXY POWDER COATED

ELECTRICAL:

ELECTRICAL CONNECTION:
3 POSITION TERMINAL BLOCK

SWITCH SPECS:

OFF (OPEN): 90 TO 130 VOLTS AC/DC @ 1mA MAX.
ON (CLOSED): 12 VOLTS AC/DC @ 100mA MAX.

SWITCH PROTECTION:

SHORT CIRCUIT
OVER-VOLTAGE: 150 VOLTS

OPERATING:

OVERALL ACCURACY:
±1% OF MAX. OPERATING RANGE VALUE

SET POINT REPEATABILITY:
±0.2% OF MAX. OPERATING RANGE VALUE

LONG TERM STABILITY:
±0.25% OF RANGE PER YEAR, MAX.

AMBIENT TEMPERATURE:

OPERATING: -40°C TO 85°C (-40°F TO 185°F)
LCD VISIBILITY TEMP: -12°C TO 80°C (10°F TO 176°F)
STORAGE: -40°C TO 85°C (-40°F TO 185°F)

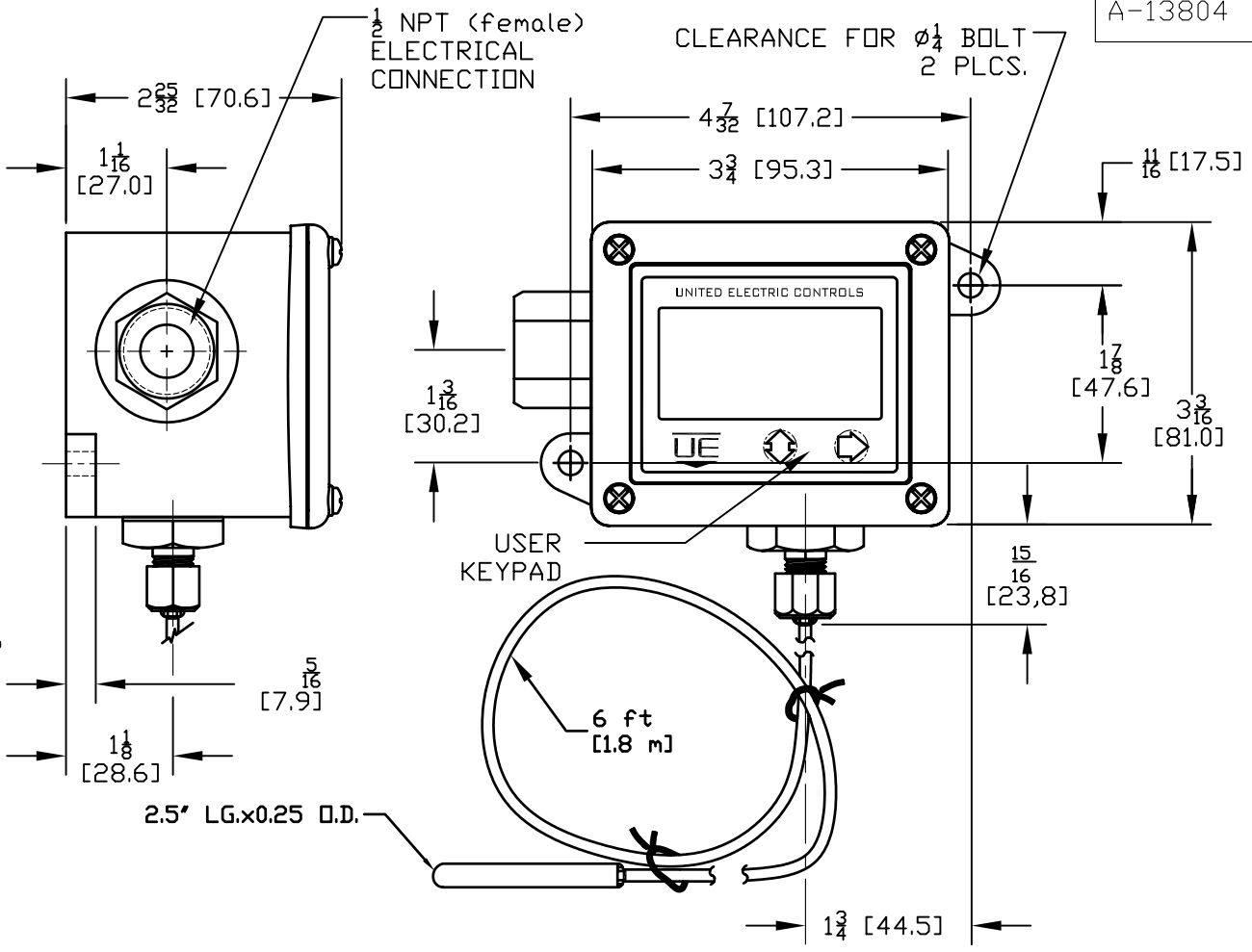
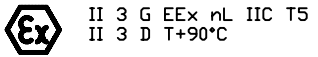
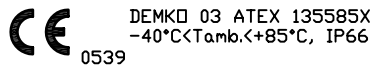
MEDIA TEMPERATURE:

-184°C TO 538°C (-300°F TO 1000°F)
REFER TO NAMEPLATE FOR OPERATING TEMPERATURE RANGE.

APPROVALS:

NONINCENDIVE APPLICATIONS:

UL LISTED, cUL CERTIFIED
CLASS I, DIVISION 2, GROUPS A, B, C & D;
CLASS II, DIVISION 2, GROUPS F & G;
CLASS III;
CLASS I, ZONE 2 AEx nC IIC T5;
CLASS I, ZONE 2 Ex nC IIC T5;
Tamb=-40°C TO +85°C (-40°F TO 185°F)
ENCLOSURE TYPE 4X



**AGENCY CRITICAL COMPONENT,
NO SUBSTITUTIONS ALLOWED
WITHOUT UEC ENGINEERING APPROVAL.**

SYM	DESCRIPTION	DATE	DWN	APPD
G	REVISED TITLE BLOCK INFO. ADDED OPER. RANGE CHART. ECN#E2723	6-24-08	SR	LK
F	DELETED SCHEMATIC SYMBOLS FROM TERMINAL BLOCK CHART. ECN#E2231	4-6-07	SR	IM
E	MEDIA TEMP. RANGE WAS -45°C TO 538°C. ADDED OPER. TEMP. NOTE. ECN#E1165	3/21/05	PLW	D.W.
D	REVISED APPROVAL SPEC.: T+90°C WAS T+85°C. ECN#E0770	4-30-04	S.R.	HN
C	ADDED "X" TO ATEX STRING. ADDED AGENCY CRITICAL NOTE. ECN# E0744	4-9-04	PLW	HN
B	REVISED APPROVALS. ECN# E0519	10/24/03	PLW	D.W.
A	FIRST ISSUE. ECN# E0190	1/30/03	PLW	D.W.
REVISIONS				

MODEL	OPER. RANGE
Tx1	
TH1	-50 TO 1000°F
TC1	-300 TO 200°F

TERMINAL BLOCK	FUNCTION
	SWITCH OUTPUT
	EARTH/CHASSIS GROUND
	SWITCH OUTPUT

ORIGINAL DATE	1/30/03
DRWN	PLW
CHKD	A.B.
APPD	D.W.
UNLESS OTHERWISE SPECIFIED DIMENSIONS ARE IN INCHES	

TITLE
**ONE SERIES
2W3A00Tx1**

REMOTE
HIGH TEMPERATURE
SINGLE SWITCH

DF001D
UE
UNITED ELECTRIC
CONTROLS COMPANY
WATERTOWN * MASSACHUSETTS
DWG NO
A-13804

DO NOT SCALE THIS DRAWING

SCALE 1:2