

SPECIFICATIONS:
 (SPECIFICATIONS AT 25°C (77°F) AND NOMINAL VOLTAGE UNLESS OTHERWISE NOTED.)

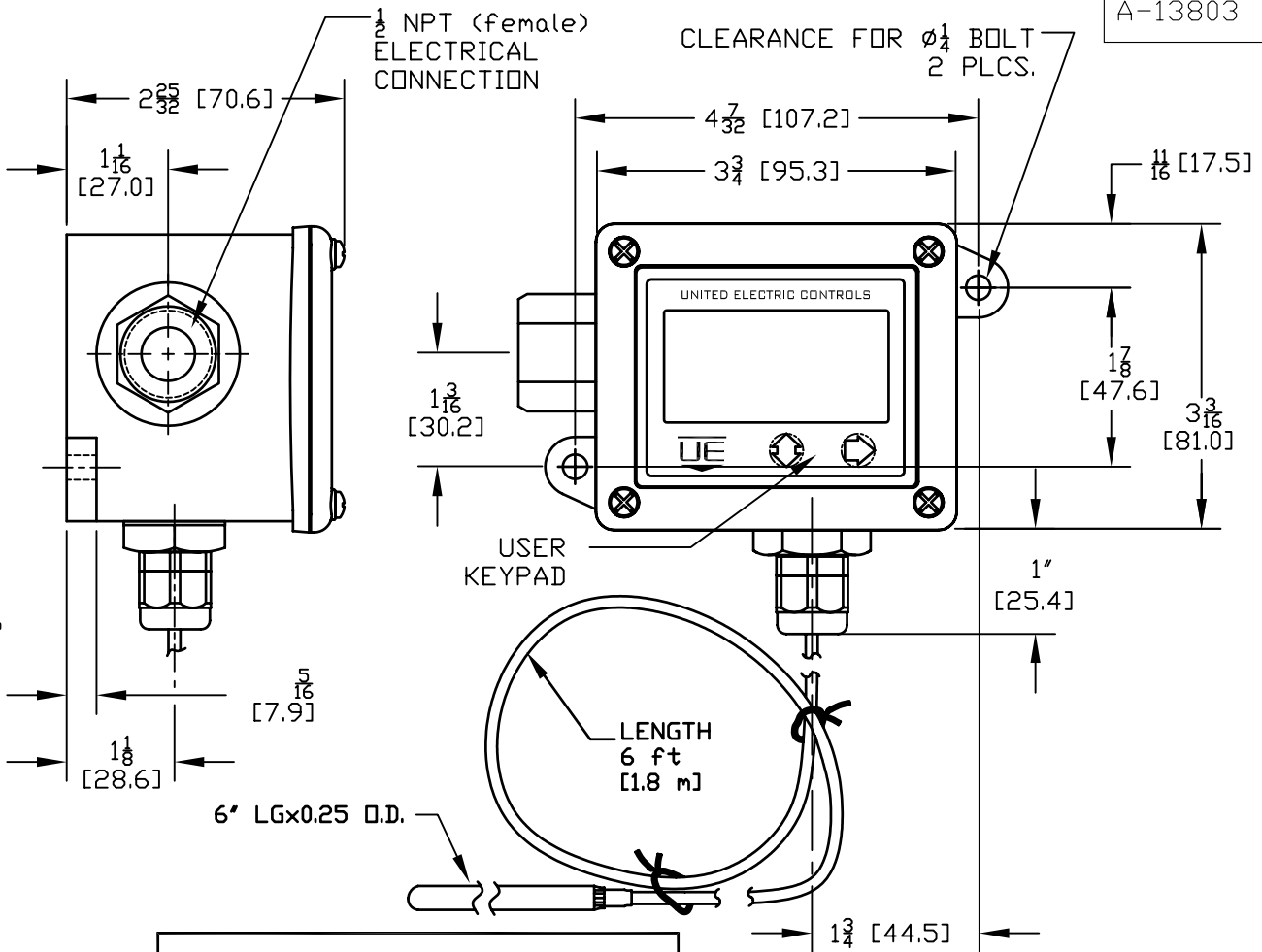
MECHANICAL:
 WETTED MATERIALS: 316 st/st
 WEIGHT: 1.40 LBS. (0.63 kg)
 ENCLOSURE: DIE CAST ALUMINUM; EPOXY POWDER COATED

ELECTRICAL:
 ELECTRICAL CONNECTION:
 3 POSITION TERMINAL BLOCK
SWITCH SPECS.:
 OFF (OPEN): 90 TO 130 VOLTS AC/DC @ 1mA MAX.
 ON (CLOSED): 12 VOLTS AC/DC @ 100mA MAX.
SWITCH PROTECTION:
 SHORT CIRCUIT
 OVER-VOLTAGE: 150 VOLTS

OPERATING:
OVERALL ACCURACY:
 ±1% OF MAX. OPERATING RANGE VALUE
SET POINT REPEATABILITY:
 ±0.2% OF MAX. OPERATING RANGE VALUE
LONG TERM STABILITY:
 ±0.25% OF RANGE PER YEAR, MAX.
AMBIENT TEMPERATURE:
 OPERATING: -40°C TO 85°C (-40°F TO 185°F)
 LCD VISIBILITY TEMP: -12°C TO 80°C (10°F TO 176°F)
 STORAGE: -40°C TO 85°C (-40°F TO 185°F)
MEDIA TEMPERATURE:
 -50°F TO 450°F (-45°C TO 232°C)
 REFER TO NAMEPLATE FOR OPERATING TEMPERATURE RANGE.

APPROVALS:
 NONINCENDIVE APPLICATIONS:
 UL LISTED, cUL CERTIFIED
 CLASS I, DIVISION 2, GROUPS A, B, C & D;
 CLASS II, DIVISION 2, GROUPS F & G;
 CLASS III;
 CLASS I, ZONE 2 AEx nC IIC T5;
 CLASS I, ZONE 2 Ex nC IIC T5;
 Tamb.=-40°C TO +85°C (-40°F TO 185°F)
 ENCLOSURE TYPE 4X

CE 0539 DEMKO 03 ATEX 135585X **Ex** II 3 G EEx nL IIC T5
 -40°C<Tamb.<+85°C, IP66 II 3 D T+90°C



**WARNING: AGENCY CRITICAL DOCUMENT.
 NO REVISIONS WITHOUT CERTIFICATION
 ENGINEER APPROVAL.**

MODEL R _x	LENGTH
R1	6'
RC	0-30'

TERMINAL BLOCK
FUNCTION
SWITCH OUTPUT
EARTH/CHASSIS GROUND
SWITCH OUTPUT

SYM	DESCRIPTION	DATE	DWN	APPD
G	REVISED TITLE BLOCK INFO. ADDED LENGTH CHART. ECN#E2723	6-24-08	SR	LK
F	DELETED SCHEMATIC SYMBOLS FROM TERMINAL BLOCK CHART. ECN#E2231	4-6-07	SR	IM
E	ADDED OPERATING TEMPERATURE NOTE. ECN#E1165	3/21/05	PLW	D.W.
D	REVISED APPROVAL SPEC.: T+90°C WAS T+85°C. ECN#E0770	4-30-04	S.R.	HN
C	ADDED "X" TO ATEX STRING. ADDED AGENCY CRITICAL NOTE. ECN# E0744	4-9-04	PLW	HN
B	REVISED APPROVALS. ECN# E0519	10/24/03	PLW	D.W.
A	FIRST ISSUE. ECN# E0190	1/30/03	PLW	D.W.

ORIGINAL DATE 1/30/03
 DRWN PLW
 CHKD A.B.
 APPD D.W.
 UNLESS OTHERWISE SPECIFIED DIMENSIONS ARE IN INCHES
 DO NOT SCALE THIS DRAWING

TITLE
 ONE SERIES
 2W3A00TRx
 REMOTE
 LOW TEMPERATURE
 SINGLE SWITCH
 SCALE 1:2

DF001D

 UNITED ELECTRIC
 CONTROLS COMPANY
 WATERTOWN * MASSACHUSETTS
 DWG NO
 A-13803