

SPECIFICATIONS:

(SPECIFICATIONS AT 25°C (77°F) AND NOMINAL VOLTAGE UNLESS OTHERWISE NOTED.)

MECHANICAL:

WETTED MATERIALS: PROCESS CONNECTION - 316 st/st
 WEIGHT: 1.40 LBS. (0.63 kg)
 ENCLOSURE: TYPE 380 ALUMINUM; EPOXY POWDER COATED

ELECTRICAL:

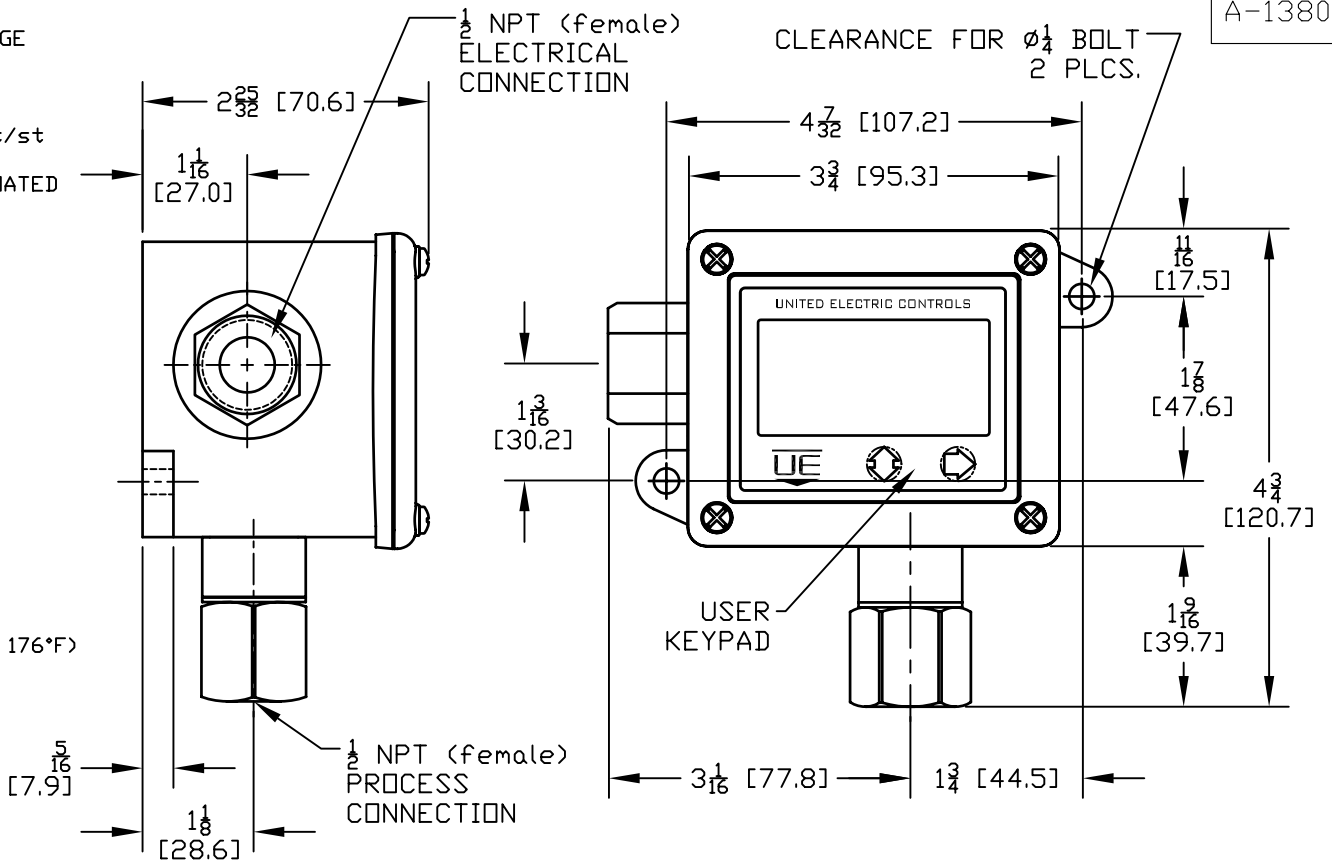
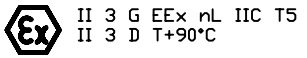
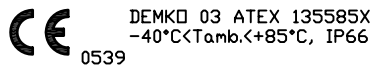
ELECTRICAL CONNECTION:
 3 POSITION TERMINAL BLOCK
 SWITCH SPECS:
 OFF (OPEN): 90 TO 130 VOLTS AC/DC @ 1mA MAX.
 ON (CLOSED): 12 VOLTS AC/DC @ 100mA MAX.
 SWITCH PROTECTION:
 SHORT CIRCUIT
 OVER-VOLTAGE: 150V

OPERATING:

OVERALL ACCURACY:
 ±1% OF MAX. OPERATING RANGE VALUE
 SET POINT REPEATABILITY:
 ±0.2% OF MAX. OPERATING RANGE VALUE
 LONG TERM STABILITY:
 ±0.25 OF RANGE PER YEAR, MAX.
 AMBIENT TEMPERATURE:
 OPERATING: -40°C TO 85°C (-40°F TO 185°F)
 LCD VISIBILITY TEMP: -12°C TO 80°C (10°F TO 176°F)
 STORAGE: -40°C TO 85°C (-40°F TO 185°F)
 MEDIA TEMPERATURE:
 -40°C TO 125°C (-40°F TO 257°F)

APPROVALS:

NONINCENDIVE APPLICATIONS:
 UL LISTED, cUL CERTIFIED
 CLASS I, DIVISION 2, GROUPS A, B, C & D;
 CLASS II, DIVISION 2, GROUPS F & G;
 CLASS III;
 CLASS I, ZONE 2 AEx nC IIC T5;
 CLASS I, ZONE 2 Ex nC IIC T5;
 Tamb.=-40°C TO +85°C (-40°F TO 185°F)
 ENCLOSURE TYPE 4X



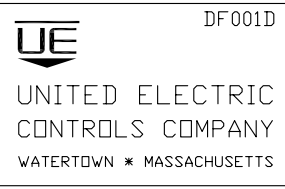
MODEL Pxx	OPERATING RANGE		MAX. OVER PRESSURE	BURST PRESSURE		
	LOW psi/bar	HIGH psi bar		psi bar	psi bar	
P10	0	5	10	0,7	20	1,4
P11	0	15	30	2,1	60	4,1
P12	0	30	60	4,1	120	8,3
P13	0	50	100	6,9	200	13,8
P14	0	100	200	13,8	400	27,6
P15	0	300	600	41,4	1200	82,7
P16	0	500	1000	68,9	2000	137,9
P17	0	1000	2000	137,9	4000	275,8
P18	0	3000	6000	413,7	12000	827,4
P19	0	4500	9000	620,6	18000	1241,1

**AGENCY CRITICAL COMPONENT,
 NO SUBSTITUTIONS ALLOWED
 WITHOUT UEC ENGINEERING APPROVAL.**

TERMINAL BLOCK
FUNCTION
SWITCH OUTPUT
EARTH/CHASSIS GROUND
SWITCH OUTPUT

ORIGINAL DATE	1/29/03
DRWN	PLW
CHKD	A.B.
APPD	D.W.

TITLE
 ONE SERIES
 2W3A00Pxx
 PRESSURE
 SINGLE SWITCH



DF001D

F	REDRAWN; REVISED TITLE BLOCK INFO. ECN# E2723	6-2-08	SR	LK
SYM	DESCRIPTION	DATE	DWN	APPD
REVISIONS				

UNLESS OTHERWISE SPECIFIED DIMENSIONS ARE IN INCHES

DO NOT SCALE THIS DRAWING

SCALE 1:2

DWG NO
 A-13801