

**SPECIFICATIONS:**  
 (SPECIFICATIONS AT 25°C (77°F) AND NOMINAL VOLTAGE UNLESS OTHERWISE NOTED.)

**MECHANICAL:**  
 WETTED MATERIALS: 316 st/st  
 WEIGHT: 1.40 LBS. (0.63 kg)  
 ENCLOSURE: TYPE 380 ALUMINUM; EPOXY POWDER COATED;  
 SHALL NOT CONTAIN, BY MASS MORE THAN 6% OF MAGNESIUM.

**ELECTRICAL:**  
 ELECTRICAL CONNECTION:  
 3 POSITION TERMINAL BLOCK  
 SWITCH SPECS.:

- OFF (OPEN): 12 TO 30 VDC @ 0.75mA MAX.
- ON (CLOSED): 4.7 VDC @ 40mA MAX.

SWITCH PROTECTION:  
 SHORT CIRCUIT  
 REVERSE POLARITY  
 OVER-VOLTAGE 50 VDC

**OPERATING:**  
 OVERALL ACCURACY:  
 ±1% OF MAX. OPERATING RANGE VALUE  
 SET POINT REPEATABILITY:  
 ±0.2% OF MAX. OPERATING RANGE VALUE  
 LONG TERM STABILITY:  
 ±0.25% OF RANGE PER YEAR, MAX.

**AMBIENT TEMPERATURE:**  
 OPERATING: -40°C TO 85°C (-40°F TO 185°F)  
 LCD VISIBILITY TEMP: -12°C TO 80°C (10°F TO 176°F)  
 STORAGE: -40°C TO 85°C (-40°F TO 185°F)

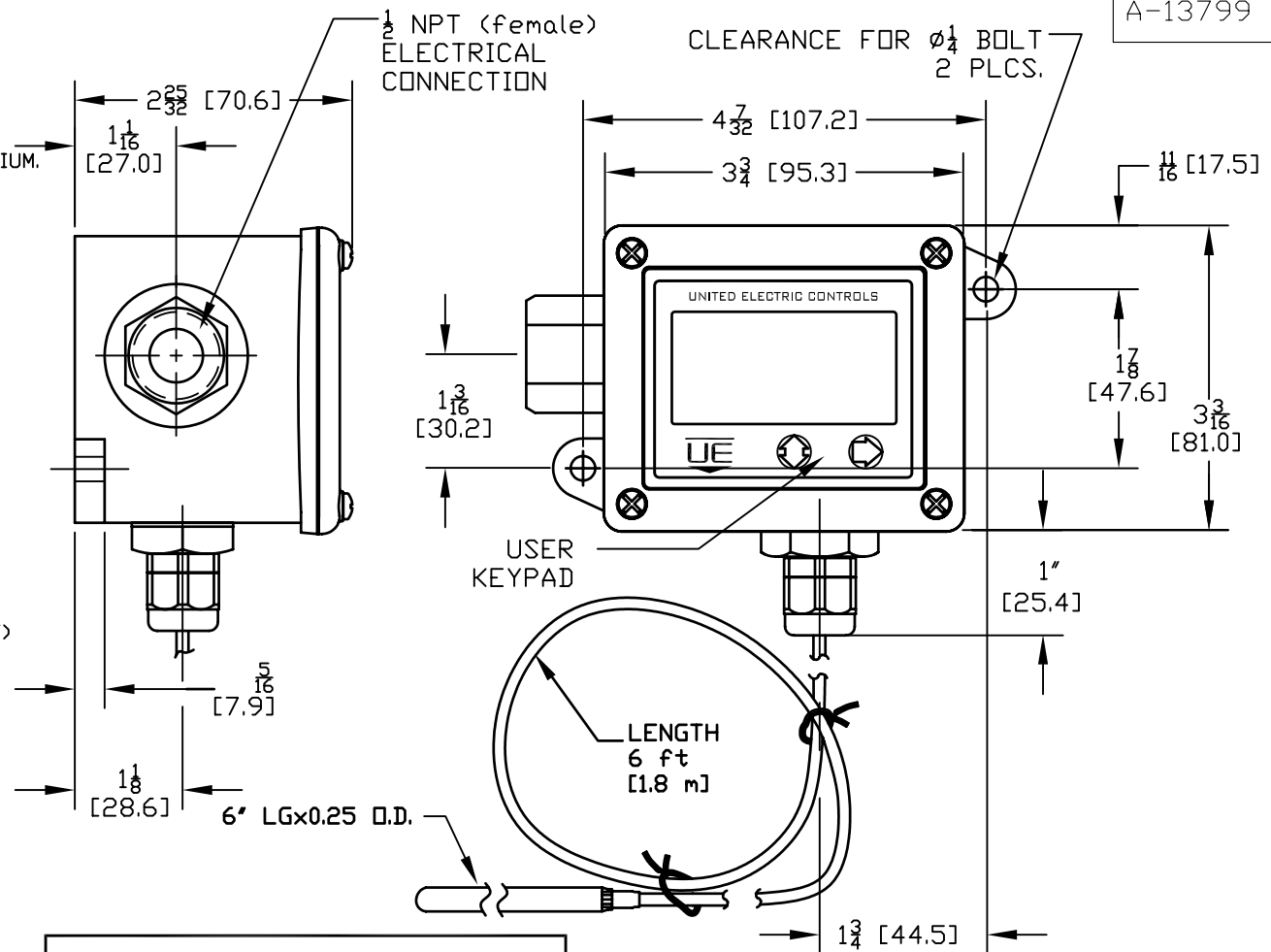
**MEDIA TEMPERATURE:**  
 -50°F TO 450°F (-45°C TO 232°C)  
 REFER TO NAMEPLATE FOR OPERATING TEMPERATURE RANGE.

**APPROVALS:**  
 INTRINSICALLY SAFE:  
 UL LISTED, cUL CERTIFIED  
 CLASS I, DIVISION 1 & 2, GROUPS A, B, C, & D;  
 CLASS II, DIVISION 1 & 2, GROUPS E, F, & G;  
 CLASS III;  
 CLASS I, ZONE 0 AEx ia IIC T5;  
 CLASS I, ZONE 0 Ex ia IIC T5;  
 Tamb.=-40°C TO +85°C (-40°F TO +185°F)  
 ENCLOSURE TYPE 4X

**CE** DEMKO 03 ATEX 0322281X -40°C<Tamb.<+85°C, IP66 **Ex** II 1 G EEx ia IIC T5 II 1 D T+90°C  
 0539

**NONINCENDIVE APPLICATIONS:**  
 UL LISTED, cUL CERTIFIED  
 CLASS I, DIVISION 2, GROUPS A, B, C, & D;  
 CLASS II, DIVISION 2, GROUPS F & G;  
 CLASS III;  
 CLASS I, ZONE 2 AEx nC IIC T5;  
 CLASS I, ZONE 2 Ex nC IIC T5;  
 Tamb.=-40°C TO +85°C (-40°F TO +185°F)  
 ENCLOSURE TYPE 4X

**CE** DEMKO 03 ATEX 0322281X -40°C<Tamb.<+85°C, IP66 **Ex** II 3 G EEx nL IIC T5 II 3 D T+90°C  
 0539



WARNING: AGENCY CRITICAL DOCUMENT. NO REVISIONS WITHOUT CERTIFICATION ENGINEER APPROVAL.

MODEL R <sub>x</sub>	LENGTH
R1	6'
RC	0-30'

TERMINAL BLOCK	
FUNCTION	POSITION
SWITCH NEGATIVE	-
EARTH/CHASSIS GROUND	⏏
SWITCH POSITIVE	+

ORIGINAL DATE	1/2/03
DRWN	PLW
CHKD	AB
APPD	DW

TITLE  
 ONE SERIES  
 2W2D00TRx  
 REMOTE  
 LOW TEMPERATURE  
 SINGLE SWITCH

DF001D  
  
 UNITED ELECTRIC  
 CONTROLS COMPANY  
 WATERTOWN \* MASSACHUSETTS

SYM	DESCRIPTION	DATE	DWN	APPD
G	REDRAWN; REVISED TITLE BLOCK INFO. ADDED LENGTH CHART. ECN#E2723	6-24-08	SR	LK

REVISIONS

DO NOT SCALE THIS DRAWING

SCALE .5:1

DWG NO  
 A-13799