

SPECIFICATIONS:

(SPECIFICATIONS AT 25°C (77°F) AND NOMINAL VOLTAGE UNLESS OTHERWISE NOTED.)

MECHANICAL:

WETTED MATERIALS: 316 st/st BULB
304 st/st CABLE

WEIGHT: 1.40 LBS. (0.63 kg)

ENCLOSURE: TYPE 380 ALUMINUM; EPOXY POWDER COATED;
SHALL NOT CONTAIN, BY MASS MORE THAN 6% OF MAGNESIUM.

ELECTRICAL:

ELECTRICAL CONNECTION:

3 POSITION TERMINAL BLOCK

SWITCH SPECS.:

OFF (OPEN): 12 TO 30 VDC @ 0.75mA MAX.

ON (CLOSED): 4.7 VDC @ 40mA MAX.

SWITCH PROTECTION:

SHORT CIRCUIT

REVERSE POLARITY

OVER-VOLTAGE 50 VDC

OPERATING:

OVERALL ACCURACY:

±1% OF MAX. OPERATING RANGE VALUE

SET POINT REPEATABILITY:

±0.2% OF MAX. OPERATING RANGE VALUE

LONG TERM STABILITY:

±0.25% OF RANGE PER YEAR, MAX.

AMBIENT TEMPERATURE:

OPERATING: -40°C TO 85°C (-40°F TO 185°F)

LCD VISIBILITY TEMP: -12°C TO 80°C (10°F TO 176°F)

STORAGE: -40°C TO 85°C (-40°F TO 185°F)

MEDIA TEMPERATURE:

-184°C TO 538°C (-300°F TO 1000°F)

REFER TO NAMEPLATE FOR OPERATING TEMPERATURE RANGE.

APPROVALS:

INTRINSICALLY SAFE:

UL LISTED, cUL CERTIFIED

CLASS I, DIVISION 1 & 2, GROUPS A, B, C, & D;

CLASS II, DIVISION 1 & 2, GROUPS E, F, & G;

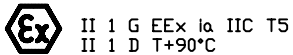
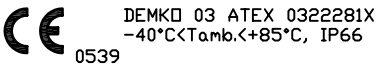
CLASS III;

CLASS I, ZONE 0 AEx ia IIC T5;

CLASS I, ZONE 0 Ex ia IIC T5;

Tamb=-40°C TO +85°C (-40°F TO +185°F)

ENCLOSURE TYPE 4X



NONINCENDIVE APPLICATIONS:

UL LISTED, cUL CERTIFIED

CLASS I, DIVISION 2, GROUPS A, B, C, & D;

CLASS II, DIVISION 2, GROUPS F & G;

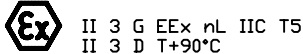
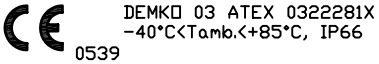
CLASS III;

CLASS I, ZONE 2 AEx nC IIC T5;

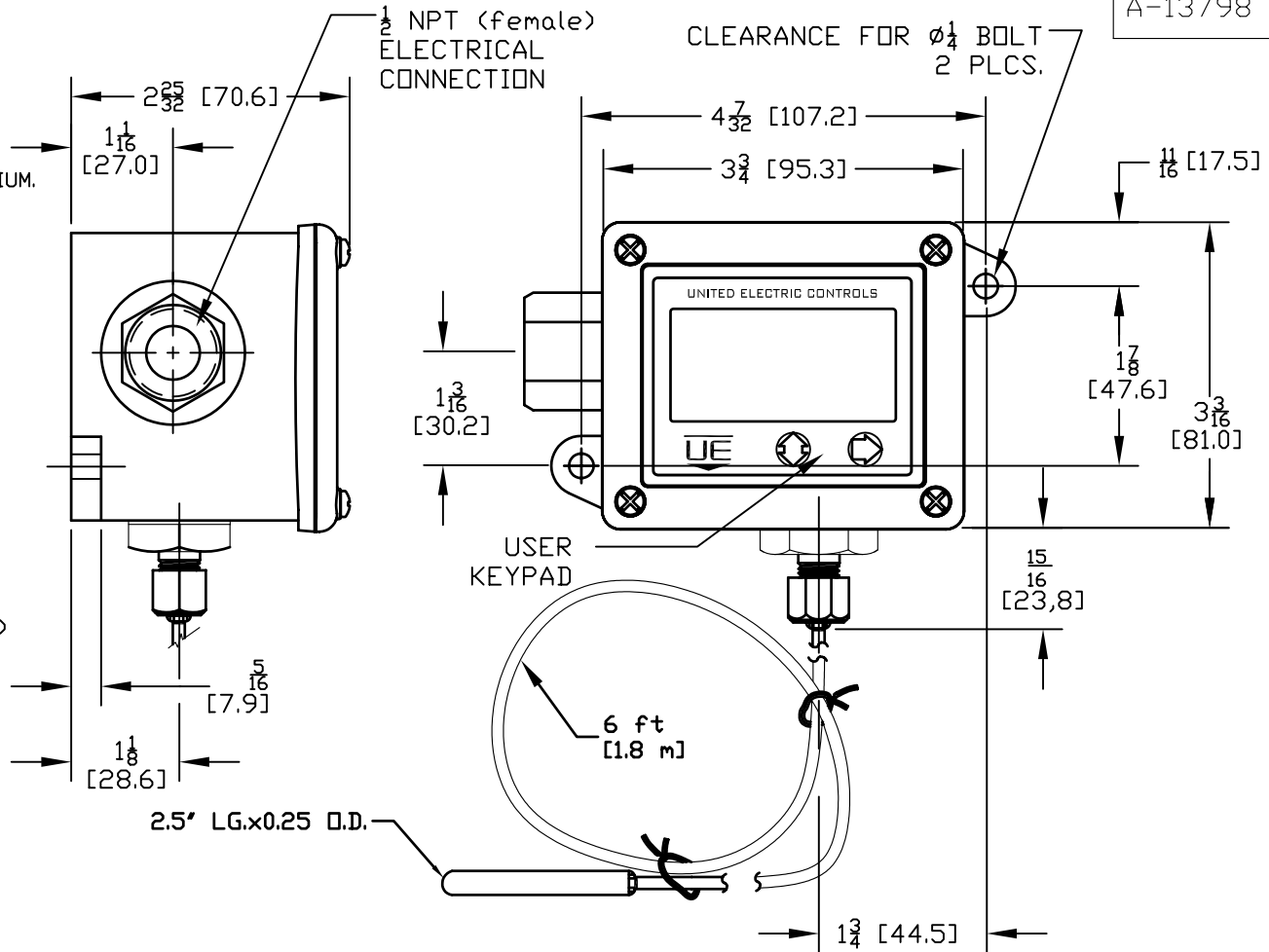
CLASS I, ZONE 2 Ex nC IIC T5;

Tamb=-40°C TO +85°C (-40°F TO +185°F)

ENCLOSURE TYPE 4X



**WARNING: AGENCY CRITICAL DOCUMENT.
NO REVISIONS WITHOUT CERTIFICATION
ENGINEER APPROVAL.**

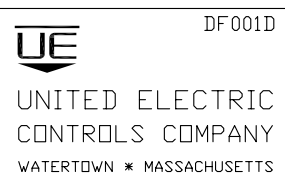


MODEL Txx	LENGTH	OPER. RANGE
TH1	6'	-50 TO 1000°F
THC	0-30'	
TC1	6'	-300 TO 200°F
TCC	0-30'	

TERMINAL BLOCK	
FUNCTION	POSITION
SWITCH NEGATIVE	-
EARTH/CHASSIS GROUND	⏏
SWITCH POSITIVE	+

ORIGINAL DATE	1/2/03
DRWN	PLW
CHKD	AB
APPD	DW

TITLE
ONE SERIES
2W2D00Txx



UNLESS OTHERWISE SPECIFIED DIMENSIONS ARE IN INCHES

REMOTE
HIGH TEMPERATURE
SINGLE SWITCH

DF001D
DWG NO
A-13798

F	REDRAWN; REVISED TITLE BLOCK INFO. ADDED OPER. RANGE CHART.ECN#E2723	6-24-08	SR	LK
SYM	DESCRIPTION	DATE	DWN	APPD
REVISIONS				

DO NOT SCALE THIS DRAWING

SCALE .5:1