

**SPECIFICATIONS:**

**MECHANICAL:**

WETTED MATERIALS: 316 st/st, 15-5 Ph st/st  
 WEIGHT: 1.3 LBS  
 ENCLOSURE: 316 st/st WELDED HERMETICALLY SEALED  
 PRESSURE RANGE: 0-15 psi THROUGH 0-25,000 psi  
 PROOF PRESSURE: 3X FULL SCALE (RANGES ≤ 10,000 psi)  
 2X FULL SCALE (RANGES > 10,000 psi)  
 BURST PRESSURE: ≥ 10X FULL SCALE (RANGES ≤ 2000 psi)  
 ≥ 4X FULL SCALE (RANGES > 2000 psi)

**ELECTRICAL:**

CONDUIT CONNECTION: 1/2" NPT MALE OR M20 MALE THREAD  
 ELECTRICAL CONNECTION: 72" LEADWIRES (18 AWG WIRE  
 RATED 600V, 105°C)

**OPERATING VOLTAGE:**

INPUT VOLTAGE RANGE	CIRCUIT TYPE
10-36VDC	4-20mA, HART
10-30VDC	1-5V
14-30VDC	0-10V

OUTPUT PROTECTION: REVERSE POLARITY PROTECTION  
 LOAD IMPEDANCE: 1300 ohm MAX. AT 36 VDC (4-20mA OUT)  
 700 ohm MAX. AT 24 VDC (4-20mA OUT)  
 2000 ohm MIN. (VOLTAGE OUTPUT)  
 250 ohm TO 550 ohm WITH HART

**OPERATING:**

NON-LINEARITY: 0.3% FSD TYPICAL (15 psi), 0.5% MAX.  
 0.2% FSD TYPICAL (RANGE < 500 psi)  
 0.1% FSD TYPICAL (RANGE ≥ 500 psi)  
 HYSTERESIS AND REPEATABILITY: ±0.1% FSD TYPICAL  
 ACCURACY (L,H,R) ±0.25% FSD ±0.5% FSD (15 psi)  
 LONG TERM STABILITY ±0.25% PER YEAR TYPICAL  
 FULL SCALE OUTPUT: 16mA(4-20mA) OR 0 TO 10V (MAX.)  
 FOR VOLTAGE OUTPUT AS INDICATED ON HOUSING  
 TEMPERATURE EFFECT ON ZERO: ±0.5% PER 100°F (38°C)  
 TEMPERATURE EFFECT ON SPAN: ±0.5% PER 100°F (38°C)  
 TEMPERATURE:  
 OPERATING: -40° TO 85°C (-40° TO 185°F)  
 COMPENSATED RANGE: -18° TO 80°C (0° TO 176°F)  
 STORAGE: -55° TO 105°C (-67° TO 221°F)

**APPROVALS:**



LISTED PROC. CONT. EQ. FOR USE IN  
 75AN HAZARDOUS LOCATIONS

AMB. TEMP. RANGE=-40°C(-40°F) TO 85°C(185°F)  
 CLASS I, ZONE 1, GROUP IIC  
 CLASS I, DIV. 1, GRPS A, B, C, D  
 CLASS II, DIV. 1, GRPS E, F, G, CLASS III  
 ENCLOSURE TYPE 4X



DEMKO 08 ATEX 0810742X  
 -40°C ≤ Tamb. ≤ 80°C

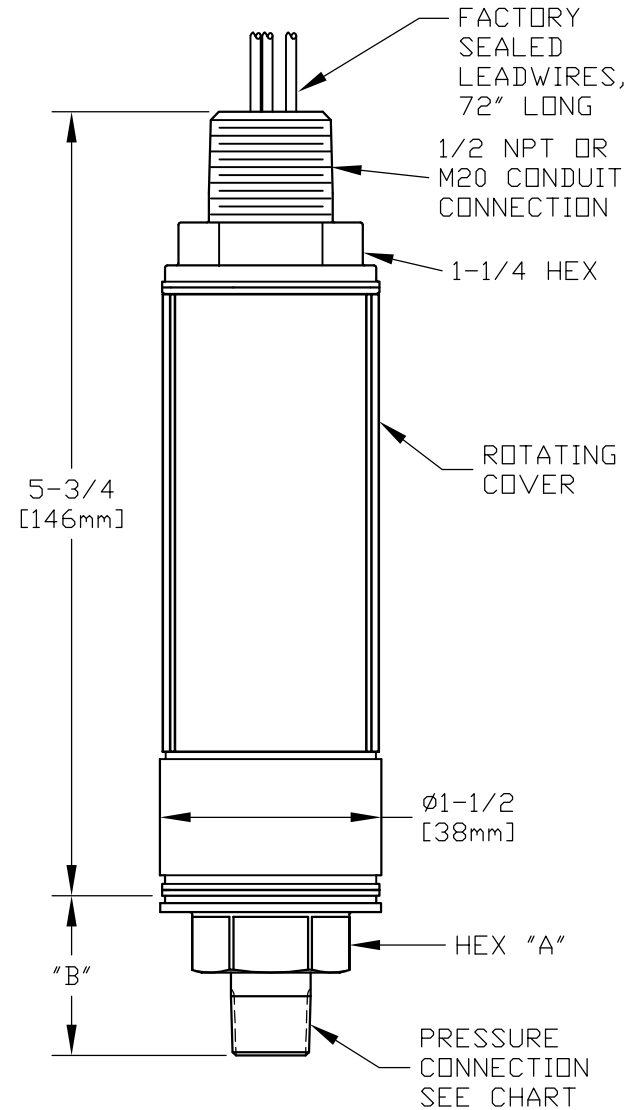
Ex II 2 G Ex d IIC T5

Ex II 2 D Ex tD A21 IP66 T+90°C

WIRE COLOR CODING	
RED	+ VDC
BLACK	- VDC
GREEN	CASE GROUND
BLUE	*VOLTAGE OUTPUT

\* Vout MODELS ONLY

PRESSURE CONNECTION CHART			
POLYCODE ID	DESCRIPTION	HEX "A" in	LENGTH "B" in [MM]
1	1/4NPT FEMALE	15/16	0.54 [13.7]
2	1/2NPT FEMALE	1-3/8	1.01 [25.7]
3	1/2NPT MALE	15/16	1.26 [32.0]
4	HF4 AUTOCLAVE	15/16	0.54 [13.7]
5	HF6 AUTOCLAVE	1-3/8	0.90 [22.9]
6	LF4 AUTOCLAVE	15/16	0.54 [13.7]
7	LF6 AUTOCLAVE	15/16	0.65 [16.5]
8	1/4NPT MALE	15/16	0.97 [24.6]
9	7/16-20 SAE FEMALE	15/16	0.54 [13.7]
A	G1/4 FEMALE	15/16	0.54 [13.7]
B	G1/2 FEMALE	1-3/8	1.01 [25.7]
C	7/16-20 SAE MALE	15/16	0.77 [19.6]
D	HM4 AUTOCLAVE	15/16	1.10 [27.9]
E	HM6 AUTOCLAVE	15/16	1.29 [32.8]
F	LM4 AUTOCLAVE	15/16	1.18 [30.0]
G	LM6 AUTOCLAVE	15/16	1.32 [33.5]
H	G1/4 MALE	15/16	1.03 [26.2]
J	G1/2 MALE	1-3/8	1.78 [45.2]



SYM	DESCRIPTION	DATE	DWN	APPD
M	ADDED TX200H (HART) INFO IN MECHANICAL NOTES. ECN#E3932.	2/24/11	MJF	DW
L	OPERATING VOLTAGE WAS 10 TO 36 VDC FOR 4-20mA OR 10-30 VDC WITH VOLTAGE OUTPUT. CLASS I & II, DIV. 1 WERE DIV. 1 & 2. ECN# E3140	4/27/09	PLW	AJC
K	REDRAWN; ADDED M20 THRD. REPLACED M204 OPTION WITH Vout & REVISED SPECS. DEMKO WAS 0715718X. ECN# E2920	12/4/08	PLW	AJC

ORIGINAL DATE	11/20/03
DRWN	PLW
CHKD	A.B.
APPD	D.W
UNLESS OTHERWISE SPECIFIED DIMENSIONS ARE IN INCHES	
DO NOT SCALE THIS DRAWING	

TITLE	TX200B, H TRANSMITTER
SCALE	NONE

DF001D	UNITED ELECTRIC CONTROLS COMPANY WATERTOWN * MASSACHUSETTS
DWG NO	A-13786