

SPECIFICATIONS:

MECHANICAL:

WEIGHT: 1.8 LBS. (0.8 kg)

ENCLOSURE: 316 st/st

WETTED MATERIALS (STANDARD CONSTRUCTION):

316 st/st, BUNA-N, TEFLON

ELECTRICAL:

OUTPUT: SPDT OR TWO SPDT FOR DPDT ACTION

RATING:

STANDARD CONTACTS:

5A 250VAC

5A 28VDC RESISTIVE

3A 28VDC INDUCTIVE

GOLD CONTACTS (OPTION 0140):

1A 125VAC

1A 30VDC RESISTIVE

0.5A 30VDC INDUCTIVE

SET POINT REPEATABILITY: ±1.5% OF OPER. RANGE

TEMPERATURE:

STORAGE: -58 TO 185°F (-50 TO 85°C)

AMBIENT:

UE TESTED: -40 TO 185°F (-40 TO 85°C)

MEDIA: -10°F TO 200°F (-23°C TO 93°C)

WETTED MATERIAL OPTIONS, MAY AFFECT MEDIA TEMP LIMITATIONS

APPROVALS:

UL (cULus) CERTIFIED FOR HAZARDOUS LOCATIONS

CLASS I, ZONE 1 GROUP IIC

CLASS I, DIVISION 1 & 2, GROUPS A, B, C, D

CLASS II, DIVISION 1 & 2, GROUPS E, F, G

CLASS III, ENCLOSURE TYPE 4X

-50°C TO 95°C

CENELEC: II 2 G EEx d IIC T6

II 2 D T+85°C, IP66

-50°C ≤ Tamb ≤ 80°C

DEMKO 04 ATEX 0334782X

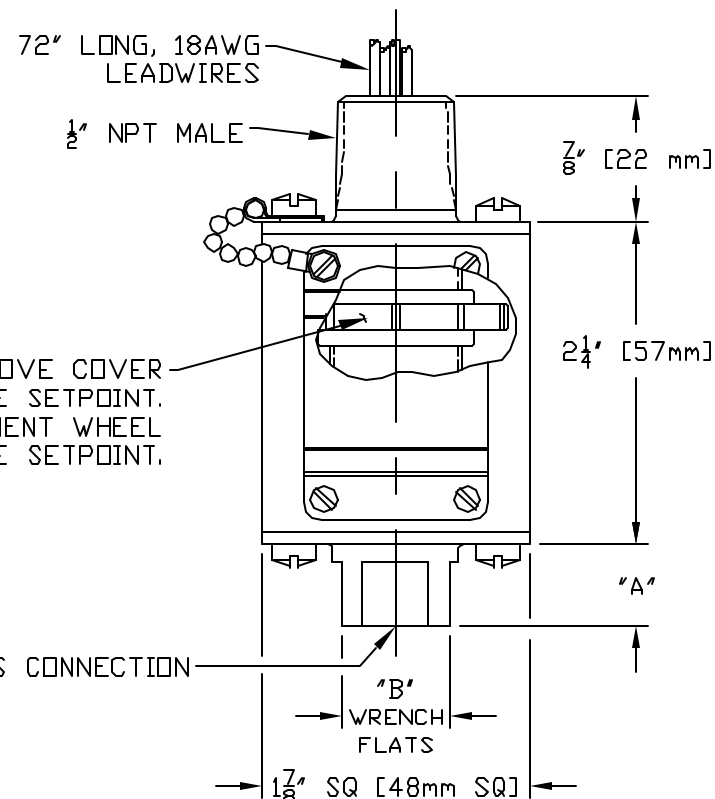
CE: -CONFORMS TO LOW VOLTAGE DIRECTIVE

-CONFORMITY TO PRESSURE EQUIPMENT DIRECTIVE

-CONFORMITY TO PED CAT IV OPTIONAL

WIRE COLOR CODE	
COLOR	FUNCTION
BLUE	NO1
BROWN	C1
RED	NC1
GREEN	GND
VIOLET	NO2
YELLOW	C2
BLACK	NC2

DPDT SWITCH ONLY



PROCESS CONNECTION

MODEL	OPERATING RANGE		MAX. WORKING PRESSURE		PROOF PRESSURE		PROCESS CONN. NPT female	DIM "A"	DIM "B"
	psi	bar	psi	bar	psi	bar			
3621A	55-300	3,8-20,7	3000	207	4500	310	1/4"	1-1/16"	3/4"
3621B	150-650	10,3-44,8	3000	207	4500	310	1/4"	1-1/16"	3/4"
3622A	55-300	3,8-20,7	3000	207	4500	310	1/2"	1-1/2"	1"
3622B	150-650	10,3-44,8	3000	207	4500	310	1/2"	1-1/2"	1"

ORIGINAL DATE	8/29/02
DRWN	PLW
CHKD	A.B.
APPD	W.K.

TITLE
362
PRESSURE
SWITCH



UNITED ELECTRIC
CONTROLS COMPANY
WATERTOWN * MASSACHUSETTS

DF001D

SYM	DESCRIPTION	DATE	DWN	APPD
B	REVISED VIEW OF ADJUSTMENT WHEEL. REVISED APPROVAL & CONFORMITY SPECS. ECN#E0713	4-8-04	S.R.	HN
A	FIRST ISSUE. ECN# E0007	8/28/02	PLW	W.K.

REVISIONS

UNLESS OTHERWISE SPECIFIED
DIMENSIONS ARE IN INCHES
TOLERANCES ON FRACTIONS ±1/64
2 PLACE DEC 3 PLACE DEC ANGLES
±0.010 ±0.005 ±1/2"

SCALE N.T.S.

DWG NO

A-13785

THIS DOCUMENT IS PROPRIETARY PROPERTY OF UNITED ELECTRIC CONTROLS. UNAUTHORIZED USE IS STRICTLY PROHIBITED.