

**SPECIFICATIONS:**

**MECHANICAL:**

WEIGHT: 1.8 LBS. (0.8 kg)

ENCLOSURE: 316 st/st

WETTED MATERIALS (STANDARD CONSTRUCTION):  
316 st/st, INCONEL

**ELECTRICAL:**

OUTPUT: SPDT OR TWO SPDT FOR DPDT ACTION

RATING:

STANDARD CONTACTS:

5A 250VAC

5A 28VDC RESISTIVE

3A 28VDC INDUCTIVE

GOLD CONTACTS (OPTION 0140):

1A 125VAC

1A 30VDC RESISTIVE

0.5A 30VDC INDUCTIVE

SET POINT REPEATABILITY: ±1% OF OPER. RANGE

**TEMPERATURE:**

STORAGE: -58 TO 185°F (-50 TO 85°C)

AMBIENT:

UE TESTED: -40 TO 185°F (-40 TO 85°C)

MEDIA: -50°F TO 350°F (-46°C TO 177°C)

**APPROVALS:**

UL (cULus) CERTIFIED FOR HAZARDOUS LOCATIONS

CLASS I, ZONE 1 GROUP IIC

CLASS I, DIVISION 1 & 2, GROUPS A, B, C, D

CLASS II, DIVISION 1 & 2, GROUPS E, F, G

CLASS III, ENCLOSURE TYPE 4X

-50°C TO 95°C

CENELEC: II 2 G EEx d IIC T6

II 2 D T+85°C, IP66

-50°C ≤ Tamb ≤ 80°C

DEMKO 04 ATEX 0334782X

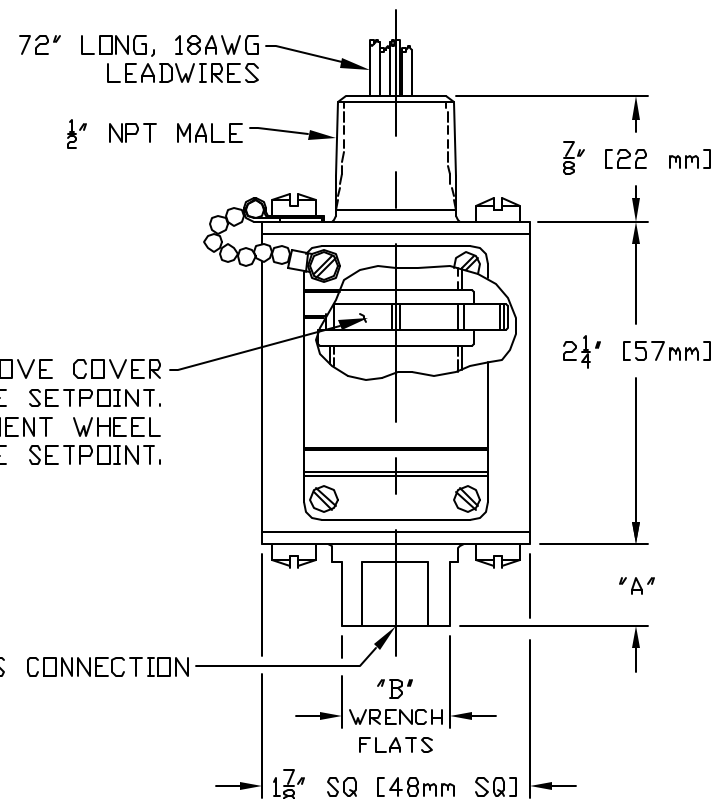
CE: -CONFORMS TO LOW VOLTAGE DIRECTIVE

-CONFORMITY TO PRESSURE EQUIPMENT DIRECTIVE

-CONFORMITY TO PED CAT IV OPTIONAL

WIRE COLOR CODE	
COLOR	FUNCTION
BLUE	NO1
BROWN	C1
RED	NC1
GREEN	GND
VIOLET	NO2
YELLOW	C2
BLACK	NC2

DPDT SWITCH ONLY



REMOVE COVER TO CHANGE SETPOINT.  
TURN ADJUSTMENT WHEEL LEFT TO INCREASE SETPOINT.

MODEL	OPERATING RANGE		MAX. WORKING PRESSURE		PROOF PRESSURE		PROCESS CONN. NPT female	DIM "A"	DIM "B"
	psi	bar	psi	bar	psi	bar			
3601A	2-22	0,1-1,5	600	41,4	1200	82,7	1/4"	5/8"	3/4"
3601B	12-90	0,8-6,2	600	41,4	1200	82,7	1/4"	5/8"	3/4"
3602A	2-22	0,1-1,5	600	41,4	1200	82,7	1/2"	3/4"	1"
3602B	12-90	0,8-6,2	600	41,4	1200	82,7	1/2"	3/4"	1"

THIS DOCUMENT IS PROPRIETARY PROPERTY OF UNITED ELECTRIC CONTROLS. UNAUTHORIZED USE IS STRICTLY PROHIBITED.

SYM	DESCRIPTION	DATE	DWN	APPD
C	REVISED VIEW OF ADJUSTMENT WHEEL, REVISED APPROVAL & CONFORMITY SPECS. ECN#E0713	4-8-04	S.R.	HN
B	REV. MEDIA TEMP. SPEC ECN#E0058	9/30/02	AB	WK
A	FIRST ISSUE. ECN# E0007	8/28/02	PLW	W.K.

ORIGINAL DATE	8/29/02
DRWN	PLW
CHKD	A.B.
APPD	W.K.

TITLE  
**360 PRESSURE SWITCH**

UNLESS OTHERWISE SPECIFIED DIMENSIONS ARE IN INCHES TOLERANCES ON FRACTIONS ±1/64 2 PLACE DEC 3 PLACE DEC ANGLES ±0.010 ±0.005 ±1/2"

DO NOT SCALE THIS DRAWING

SCALE N.T.S.

DF001D

**UE**  
UNITED ELECTRIC CONTROLS COMPANY  
WATERTOWN \* MASSACHUSETTS

DWG NO  
**A-13783**