

SPECIFICATIONS:

(SPECIFICATIONS AT 25°C (77°F) AND NOMINAL VOLTAGE UNLESS OTHERWISE NOTED.)

MECHANICAL:

WETTED MATERIALS: PROCESS CONNECTION - 316 st/st
 WEIGHT: 1.40 LBS. (0.63 kg)
 ENCLOSURE: TYPE 380 ALUMINUM; EPOXY POWDER COATED;
 SHALL NOT CONTAIN, BY MASS MORE THAN 6% OF MAGNESIUM.

ELECTRICAL:

ELECTRICAL CONNECTION:
 3 POSITION TERMINAL BLOCK
 SWITCH SPECS.:
 OFF (OPEN): 12 TO 28 VDC @ 0.75mA MAX.
 ON (CLOSED): 4.7 VDC @ 40mA MAX.
 SWITCH PROTECTION:
 SHORT CIRCUIT
 REVERSE POLARITY
 OVER-VOLTAGE 50 VDC

OPERATING:

OVERALL ACCURACY:
 ±1% OF MAX. OPERATING RANGE VALUE
 SET POINT REPEATABILITY:
 ±0.2% OF MAX. OPERATING RANGE VALUE
 LONG TERM STABILITY:
 ±0.25 OF RANGE PER YEAR, MAX.
 AMBIENT TEMPERATURE:
 OPERATING: -40°C TO +80°C (-40°F TO +176°F)
 LCD VISIBILITY TEMP: -12°C TO +80°C (10°F TO +176°F)
 STORAGE: -40°C TO +80°C (-40°F TO +176°F)
 MEDIA TEMPERATURE:
 -40°C TO 125°C (-40°F TO +257°F)

APPROVALS:

INTRINSICALLY SAFE:
 UL LISTED, cUL CERTIFIED
 CLASS I, DIVISION 1 & 2, GROUPS A, B, C, & D;
 CLASS II, DIVISION 1 & 2, GROUPS E, F, & G;
 CLASS III;
 CLASS I, ZONE 0 AEx ia IIC T4;
 CLASS I, ZONE 0 Ex ia IIC T4;
 Tamb.=-40°C TO +80°C (-40°F TO +176°F)
 ENCLOSURE TYPE 4X



DEMKO 14 ATEX 1107977X
 DEMKO 14 ATEX 1300X
 IECEX UL 14.0013X
 -40°C<Tamb.<+80°C, IP66



II 1 G Ex ia IIC T4
 II 1 D Ex ia IIIC T135°C
 Ex ia IIC T4
 Ex ia IIIC T135°C

NONINCENDIVE APPLICATIONS:

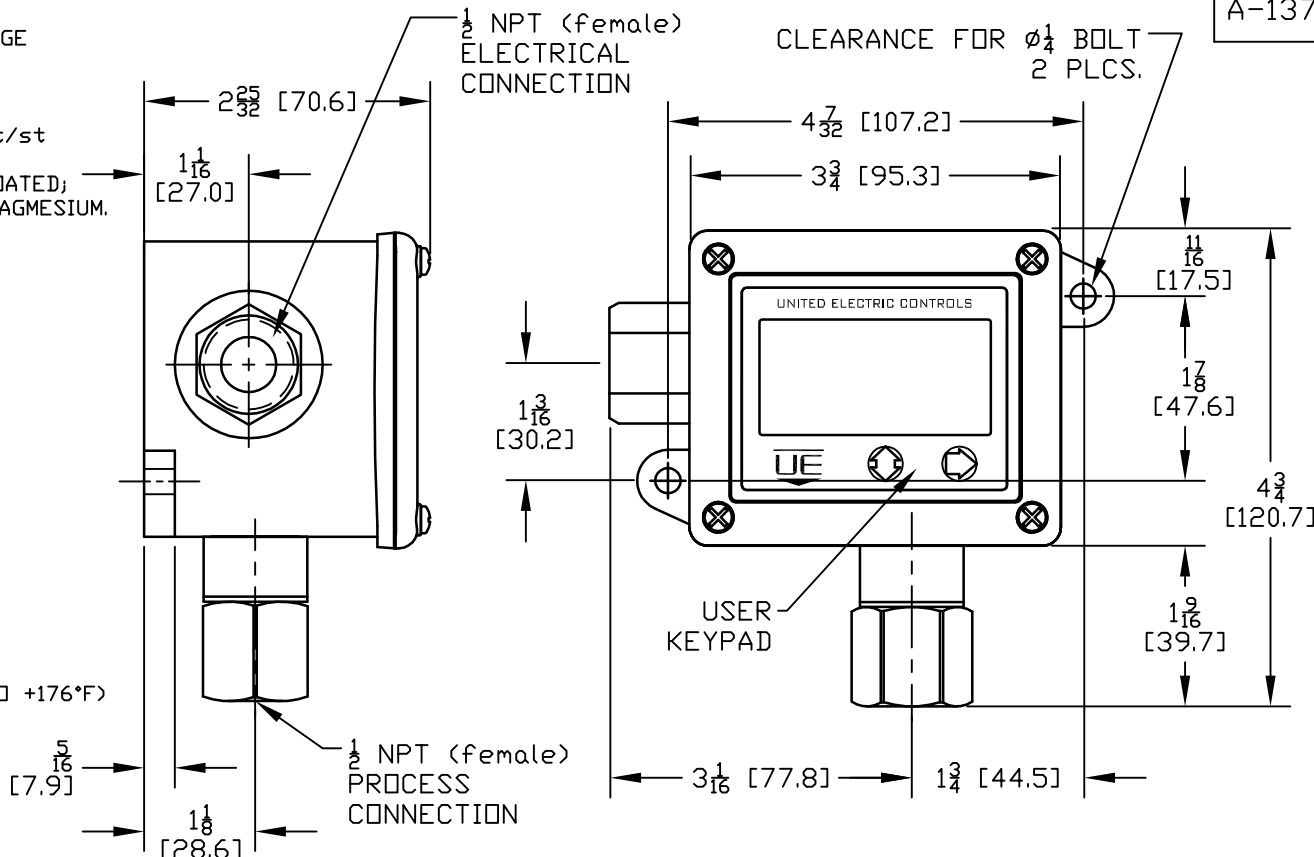
UL LISTED, cUL CERTIFIED
 CLASS I, DIVISION 2, GROUPS A, B, C, & D;
 CLASS II, DIVISION 2, GROUPS F & G;
 CLASS III;
 CLASS I, ZONE 2 AEx ic IIC T4;
 CLASS I, ZONE 2 Ex ic IIC T4;
 Tamb.=-40°C TO +80°C (-40°F TO +176°F)
 ENCLOSURE TYPE 4X



DEMKO 14 ATEX 1107977X
 DEMKO 14 ATEX 1300X
 IECEX UL 14.0013X
 -40°C<Tamb.<+80°C, IP66



II 3 G Ex ic IIC T4
 Ex ic IIC T4



MODEL Pxx	OPERATING RANGE				MAX. OVER PRESSURE		BURST PRESSURE	
	LOW	LOW	HIGH	HIGH	psi	bar	psi	bar
	psi	bar	psi	bar				
P06	-14.7	-1	30	2,1	60	4,1	120	8,3
P08	-14.7	-1	100	6,9	200	13,8	400	27,6
P10	0	0	5	0,3	10	0,7	20	1,4
P11	0	0	15	1,0	30	2,1	60	4,1
P12	0	0	30	2,1	60	4,1	120	8,3
P13	0	0	50	3,4	100	6,9	200	13,8
P14	0	0	100	6,9	200	13,8	400	27,6
P15	0	0	300	20,7	600	41,4	1200	82,7
P16	0	0	500	34,5	1000	68,9	2000	137,9
P17	0	0	1000	68,9	2000	137,9	4000	275,8
P18	0	0	3000	206,8	6000	413,7	12000	827,4
P19	0	0	4500	310,3	9000	620,6	18000	1241,1

**AGENCY CRITICAL COMPONENT,
 NO SUBSTITUTIONS ALLOWED
 WITHOUT UEC ENGINEERING APPROVAL.**

TERMINAL BLOCK	
FUNCTION	POSITION
SWITCH NEGATIVE	-
EARTH/CHASSIS GROUND	⏏
SWITCH POSITIVE	+

ORIGINAL DATE	11/28/01
DRWN	PLW
CHKD	A.B.
APPD	D.W.

TITLE
 ONE SERIES
 2W2D00Pxx
 PRESSURE
 SINGLE SWITCH

UNITED ELECTRIC
 CONTROLS COMPANY
 WATERTOWN * MASSACHUSETTS
 DF001D

SYM	DESCRIPTION	DATE	DWN	APPD
J	AGENCY UPDATE TO CERT. ECN#E5068	3-14-14	NAB	EM
H	ADDED MODELS P06 & P08. ECN#E4890	8-21-13	SR	SJM
G	REDRAWN; REVISED TITLE BLOCK INFO. ECN#E2723	6/2/08	SR	LK

UNLESS OTHERWISE SPECIFIED
 DIMENSIONS ARE IN INCHES

DWG NO
 A-13778
 SCALE .5:1
 DO NOT SCALE THIS DRAWING