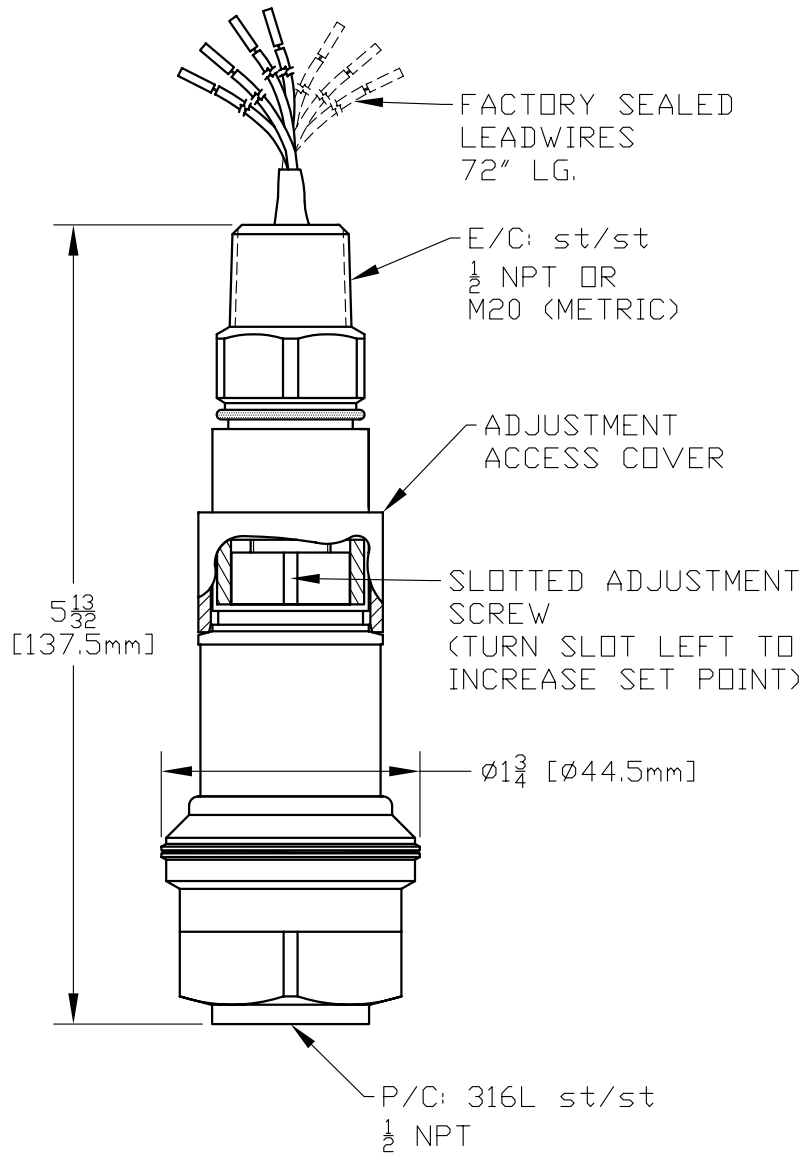


**SPECIFICATIONS:**

- \* APPROVALS:  
 UL LISTED, FILE E40857; cUL CERTIFIED, FILE E40857  
 CLASS I, DIVISIONS 1 & 2, GROUPS A, B, C, D  
 CLASS II, DIVISIONS 1 & 2, GROUPS E, F, G, CLASS III  
 CENELEC FLAME PROOF CONSTRUCTION PER EEx d IIC T6  
 CERTIFICATE# DEMKO 03 ATEX 0252466X.  
 FLAMEPROOF EQUIPMENT, EN 50 014 AND EN 50 018
- \* ENCLOSURE: 316 st/st EXPOSED PARTS
- \* ENCLOSURE CLASSIFICATION: NEMA 4X, 7, 9; IP66
- \* SWITCH OUTPUT:  
 ONE SPDT, FACTORY SEALED LEADWIRES.  
 TWO SPDT FOR DPDT ACTION AVAILABLE
- \* ELECTRICAL RATINGS:  
 5 A (CODE H) @ 250 VAC, 5 A RESISTIVE AND  
 3 A INDUCTIVE @ 28 VDC, SILVER CONTACTS.  
 1 A (CODE L) @ 125 VAC 1 A RESISTIVE AND  
 0.5 A INDUCTIVE @ 28 VDC. BIFURCATED GOLD CONTACTS.
- \* NON-BELLEVILLE CONSTRUCTION
- \* WETTED MATERIAL:  
 P/C: 316L st/st  
 DIAPHRAGM: 316L st/st



C	5 TO 100	0,34 TO 6,9	1 TO 8	0,07 TO 0,55
B	3 TO 50	0,21 TO 3,4	0,5 TO 4	0,03 TO 0,28
A	1 TO 15	0,07 TO 1,0	0,5 TO 2	0,03 TO 0,14
MODEL NO.	psi	bar	psi	bar
	ADJUSTABLE RANGE		DEADBAND	
	LOW END OF RANGE ON FALL			
	HIGH END OF RANGE ON RISE			

WIRE COLOR CODING		
	SW#1	SW#2
COMMON	BROWN	YELLOW
N.C.	RED	BLACK
N.O.	BLUE	VIOLET
GROUND	GREEN	

SYM	DESCRIPTION	DATE	DWN	APPD
D	ENCLOSURE WAS: 300 SERIES st/st. ECN#E2135	1-23-07	SR	RM
C	DEMKO APPROVAL WAS CERTIFICATE# 97D.122235X. ECN#E0670	3-4-04	S.R.	HN
B	ADDED DPDT SWITCH AVAILABILITY. ECN#C8960	10-11-00	S.R.	WK
A	FIRST ISSUE. ECN#C8235	7-15-99	S.R.	V.P.

REVISIONS

ORIGINAL DATE 7-15-99	TITLE	DF001D
DRWN S.R.	12 SERIES SENSOR TYPE 9	
CHKD A.B.		
APPD V. PRAKUSON		
UNLESS OTHERWISE SPECIFIED DIMENSIONS ARE IN INCHES		
DO NOT SCALE THIS DRAWING	SCALE NONE	
		UNITED ELECTRIC CONTROLS COMPANY WATERTOWN * MASSACHUSETTS
		DWG NO A-13713