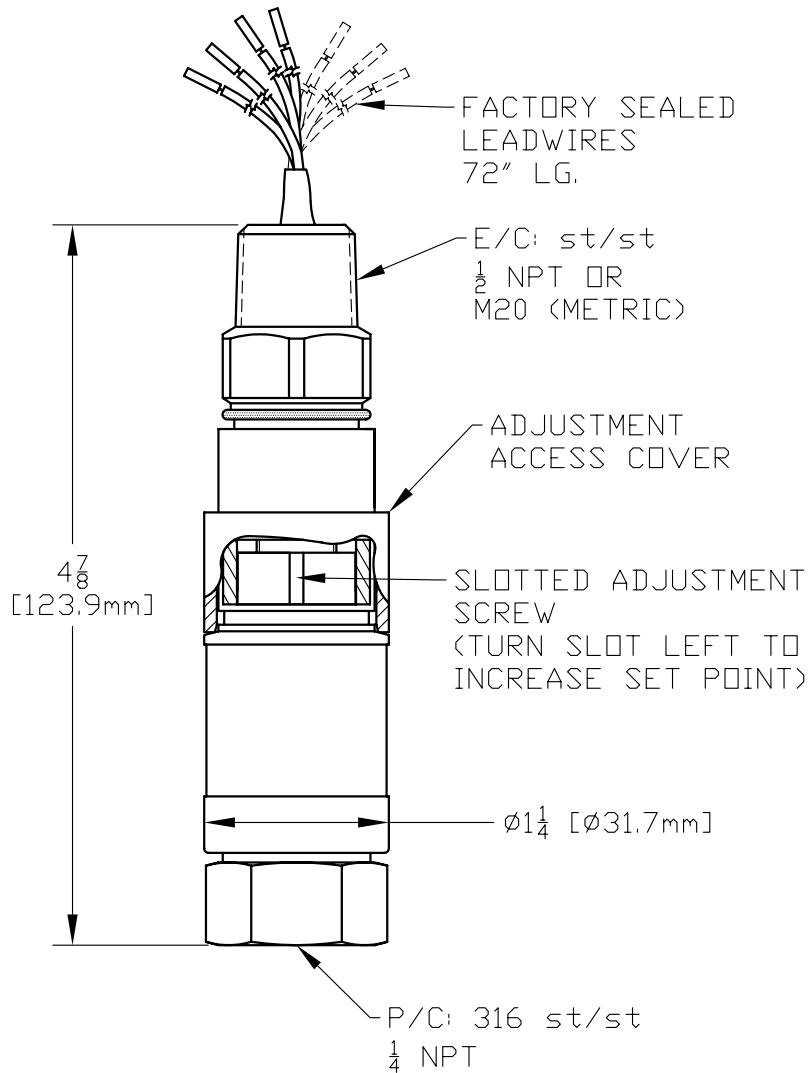


SPECIFICATIONS:



- * APPROVALS:
UL LISTED, FILE E40857; cUL CERTIFIED, FILE E40857
CLASS I, DIVISIONS 1 & 2, GROUPS A, B, C, D
CLASS II, DIVISIONS 1 & 2, GROUPS E, F, G, CLASS III
CENELEC FLAME PROOF CONSTRUCTION PER EEx d IIC T6
CERTIFICATE# DEMKO 03 ATEX 0252466X.
FLAMEPROOF EQUIPMENT, EN 50 014 AND EN 50 018
- * ENCLOSURE: 316 st/st EXPOSED PARTS
- * ENCLOSURE CLASSIFICATION: NEMA 4X, 7, 9; IP66
- * SWITCH OUTPUT:
ONE SPDT, FACTORY SEALED LEADWIRES.
TWO SPDT FOR DPDT ACTION AVAILABLE
- * ELECTRICAL RATINGS:
5 A (CODE H) @ 250 VAC, 5 A RESISTIVE AND
3 A INDUCTIVE @ 28 VDC, SILVER CONTACTS.
1 A (CODE L) @ 125 VAC 1 A RESISTIVE AND
0.5 A INDUCTIVE @ 28 VDC. BIFURCATED GOLD CONTACTS.
- * NON-BELLEVILLE CONSTRUCTION
- * WETTED MATERIAL:
P/C: 316 st/st
DIAPHRAGM: TEFLON COATED POLYIMIDE (KAPTON)
O-RING: BUNA-N

G	700 TO 4000	48,3 TO 275,8	40 TO 200	2,76 TO 13,8
F	500 TO 2500	34,5 TO 172,4	20 TO 120	1,38 TO 8,3
E	100 TO 900	6,9 TO 62,1	10 TO 45	0,69 TO 3,1
D	50 TO 450	3,4 TO 31,0	3 TO 20	0,21 TO 1,4
C	25 TO 150	1,7 TO 10,3	1 TO 8	0,07 TO 0,55
B	15 TO 75	1,0 TO 5,2	1 TO 5	0,07 TO 0,34
A	2 TO 25	0,14 TO 1,7	0.5 TO 3	0,03 TO 0,21
MODEL NO.	psi		bar	
	ADJUSTABLE RANGE		DEADBAND	
	LOW END OF RANGE ON FALL			
	HIGH END OF RANGE ON RISE			

WIRE COLOR CODING		
	SW#1	SW#2
COMMON	BROWN	YELLOW
N.C.	RED	BLACK
N.O.	BLUE	VIOLLET
GROUND	GREEN	

SYM	DESCRIPTION	DATE	DWN	APPD
D	ENCLOSURE WAS: 300 SERIES st/st. ECN#E2135	1-23-07	SR	RM
C	DEMKO APPROVAL WAS CERTIFICATE# 97D.122235X. ECN#E0670	3-4-04	S.R.	HN
B	ADDED DPDT SWITCH AVAILABILITY. ECN#C8960	10-11-00	S.R.	WK
A	FIRST ISSUE. ECN#C8235	7-15-99	S.R.	V.P.

REVISIONS

ORIGINAL DATE	7-15-99
DRWN	S. ROBAK
CHKD	A.B.
APPD	V. PRAKUSON
UNLESS OTHERWISE SPECIFIED DIMENSIONS ARE IN INCHES	
DO NOT SCALE THIS DRAWING	

TITLE	12 SERIES SENSOR TYPE 8
SCALE	NONE

DF001D

UNITED ELECTRIC CONTROLS COMPANY
WATERTOWN * MASSACHUSETTS

DWG NO
A-13712