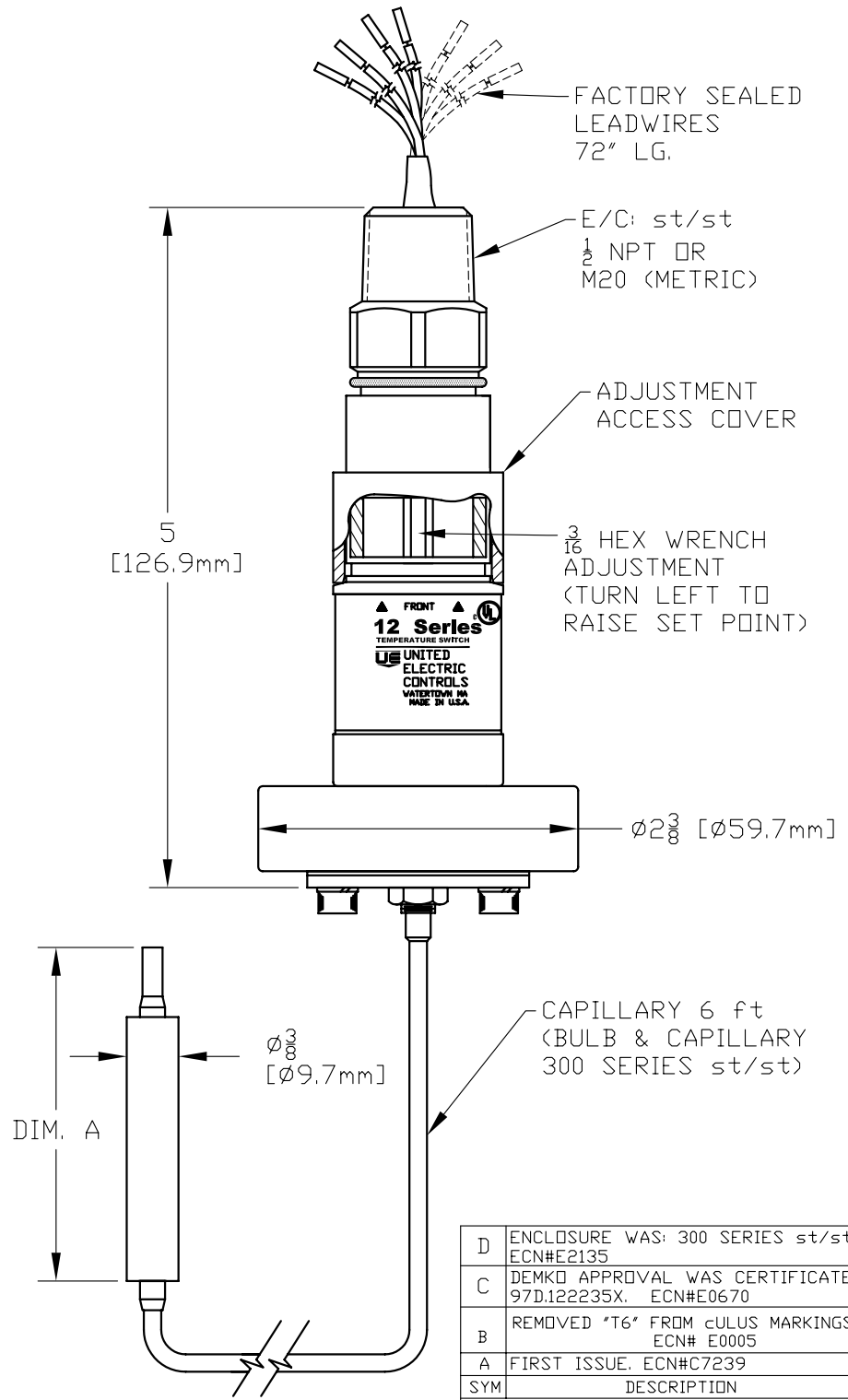


SPECIFICATIONS:

- * APPROVALS:
 - UL LISTED, cUL CERTIFIED, FILE E43374
 - CLASS I, DIVISIONS 1 & 2, GROUPS A, B, C, D
 - CLASS II, DIVISIONS 1 & 2, GROUPS E, F, G, CLASS III
 - CLASS I, ZONE 1 GROUP IIC
 - 50°C ≤ Tamb. ≤ 95°C
- CENELEC FLAME PROOF CONSTRUCTION PER EEx d IIC T6
- 50°C ≤ Tamb. ≤ 80°C
- CERTIFICATE# DEMKO 03 ATEX 0252466X.
- FLAMEPROOF EQUIPMENT, EN 50 014 AND EN 50 018
- CE COMPLIANT TO APPLICABLE DIRECTIVES
- * ENCLOSURE: 316 st/st EXPOSED PARTS
- * ENCLOSURE CLASSIFICATION: ENCLOSURE TYPE 4X, 7, 9; IP66
- * SWITCH OUTPUT:
 - ONE SPDT, FACTORY SEALED LEADWIRES,
 - TWO SPDT FOR DPDT ACTION AVAILABLE.
- * ELECTRICAL RATINGS:
 - 5 AMP (CODE H) @ 250 VAC, 5 AMPS RESISTIVE AND
 - 3 AMPS INDUCTIVE @ 28 VDC, SILVER CONTACTS.
 - 1 AMP (CODE L) @ 125 VAC 1 A RESISTIVE AND
 - 0.5 AMP INDUCTIVE @ 28 VDC. BIFURCATED GOLD CONTACTS.

WIRE COLOR CODING		
	SW#1	SW#2
COMMON	BROWN	YELLOW
N.C.	RED	BLACK
N.D.	BLUE	VIOLET
GROUND	GREEN	N/A

R4	150 TO 650	70 TO 340	4"	101.6mm
R3	50 TO 300	10 TO 150	4 7/8"	123.8mm
R2	0 TO 150	-15 TO 65	7 1/4"	184.2mm
R1	-130 TO 120	-90 TO 50	4 7/8"	123.8mm
MODEL NO.	°F °C		DIM. A	
	ADJUSTABLE RANGE			



SYM	DESCRIPTION	DATE	DWN	APPD
D	ENCLOSURE WAS: 300 SERIES st/st. ECN#E2135	1-23-07	SR	RM
C	DEMKO APPROVAL WAS CERTIFICATE# 97D.122235X. ECN#E0670	3-4-04	S.R.	HN
B	REMOVED 'T6' FROM cULUS MARKINGS. ECN# E0005	8/28/02	PLW	G.W.
A	FIRST ISSUE. ECN#C7239	4-16-98	P.W.	V.P.

ORIGINAL DATE	4-10-98
DRWN	PETER WEILER
CHKD	A.BARTER
APPD	V.PRAKUSON
UNLESS OTHERWISE SPECIFIED DIMENSIONS ARE IN INCHES	
DO NOT SCALE THIS DRAWING	

TITLE
**12 SERIES
 REMOTE
 TEMP.**

SCALE NONE

DF001D

UNITED ELECTRIC
 CONTROLS COMPANY
 WATERTOWN * MASSACHUSETTS

DWG NO
A-13435