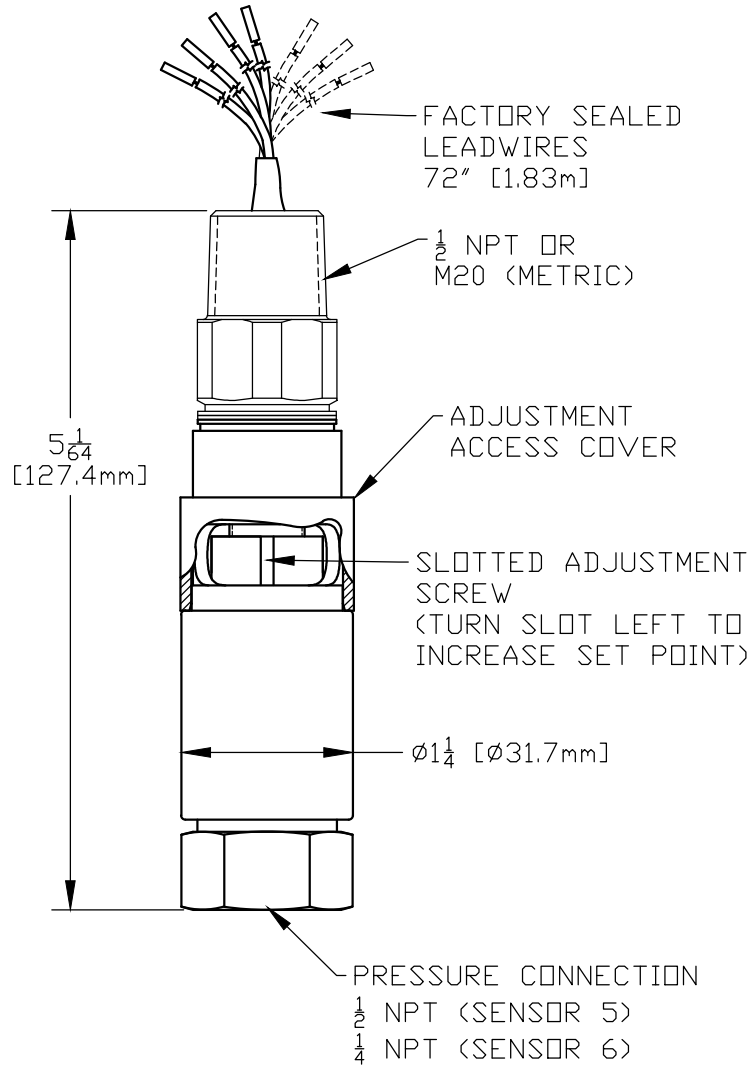


SPECIFICATIONS:

- * APPROVALS:
UL LISTED, FILE E40857; cUL CERTIFIED, FILE E40857
CLASS I, DIVISION 1, GROUPS A, B, C, D
CLASS II, DIVISION 1, GROUPS E, F, G, CLASS III
ATEX FLAME PROOF CONSTRUCTION PER Ex d IIC T6
CERTIFICATE# DEMKO 08 ATEX 0717128X.
FLAMEPROOF EQUIPMENT
- * ENCLOSURE: 316 st/st EXPOSED PARTS
- * ENCLOSURE CLASSIFICATION: TYPE 4X, 7, 9; IP66
- * SWITCH OUTPUT:
ONE SPDT, FACTORY SEALED LEADWIRES.
TWO SPDT FOR DPDT ACTION AVAILABLE.
- * ELECTRICAL RATINGS:
5 AMP (CODE H) @ 250 VAC, 5 AMPS RESISTIVE AND
3 AMPS INDUCTIVE @ 28 VDC, SILVER CONTACTS.
1 AMP (CODE L) @ 125 VAC 1 A RESISTIVE AND
0.5 AMP INDUCTIVE @ 28 VDC. BIFURCATED GOLD CONTACTS.
- * SNAP-ACTING BELLEVILLE SPRING CONSTRUCTION FOR VIBRATION RESISTANCE.
- * WETTED MATERIAL:
PRESSURE CONNECTION: 316 st/st
DIAPHRAGM: 316 st/st
O-RING: VITON



MODEL NO.	ADJUSTABLE RANGE	
	LOW END OF RANGE ON FALL	
	HIGH END OF RANGE ON RISE	
	psi	bar
H	2000 TO 6000	137,9 TO 414,0
G	1000 TO 3200	68,9 TO 220,6
F	400 TO 1500	27,6 TO 103,0
E	250 TO 700	17,2 TO 48,3
D	100 TO 350	6,9 TO 24,1
C	50 TO 150	3,5 TO 10,3
B	25 TO 65	1,7 TO 4,5
A	9 TO 35	0,6 TO 2,4

WIRE COLOR CODING		
	SW#1	SW#2
COMMON	BROWN	YELLOW
N.C.	RED	BLACK
N.O.	BLUE	VIOLET
GROUND	GREEN	

SYM	DESCRIPTION	DATE	DWN	APPD
F	HEIGHT DIM. WAS 4-7/8 [123,9mm]. UPDATED DEMKO ATEX APPROVAL. ENCLOSURE CLASSIFICATION WAS "NEMA". ECN#E5271	9/18/14	SR	MK
E	REMOVED DEADBAND FROM TABLE, ADDED METRIC CONVERSION TO LEADWIRES, REMOVED "E/C: st/st". ECN#E4709	2/26/13	NAB	WK
D	REDRAWN. GENERAL REDESIGN. UPDATED APPROVALS. ECN#E3649	6-17-10	S.R.	RAM

ORIGINAL DATE 8-14-97
DRWN S. ROBAK
CHKD AB
APPD LK
UNLESS OTHERWISE SPECIFIED DIMENSIONS ARE IN INCHES

TITLE
12 SERIES SENSOR/TYPE 5 & 6
USED ON:
SCALE NONE

DF001D



UNITED ELECTRIC CONTROLS COMPANY
WATERTOWN * MASSACHUSETTS

DWG NO
A-13407

REVISIONS

DO NOT SCALE THIS DRAWING