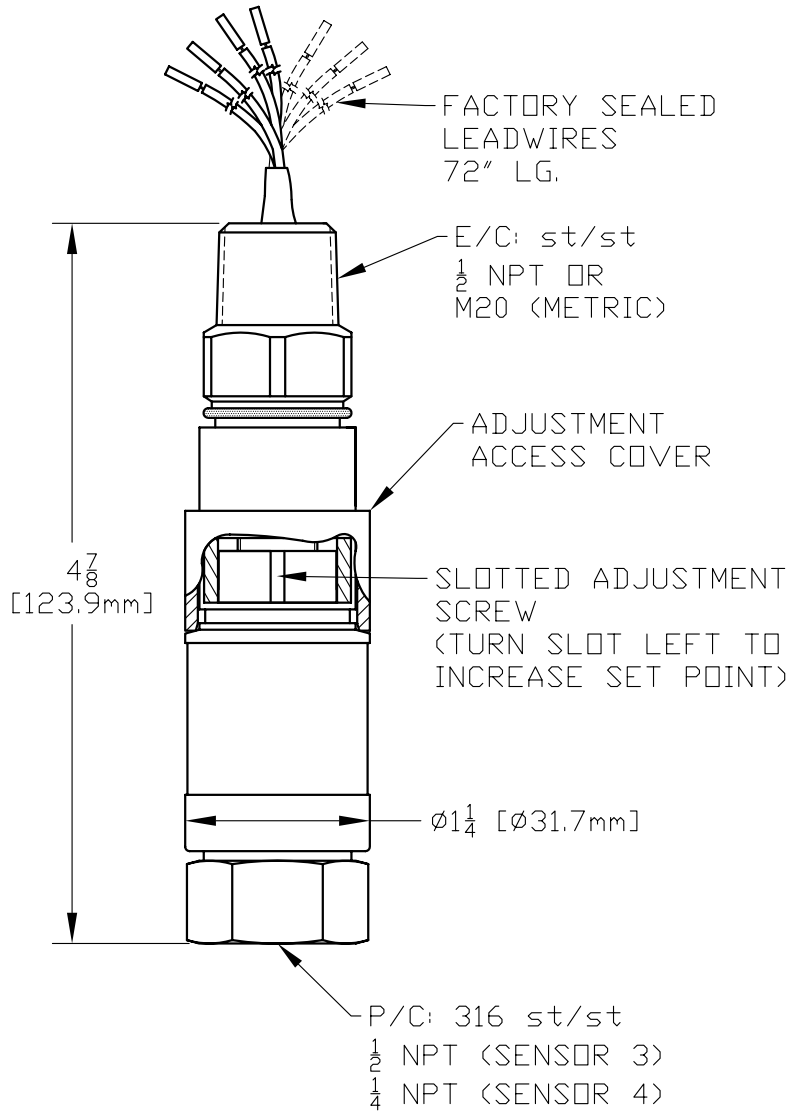


SPECIFICATIONS:


- * APPROVALS:
 UL LISTED, FILE E40857; cUL CERTIFIED, FILE E40857
 CLASS I, DIVISIONS 1 & 2, GROUPS A, B, C, D
 CLASS II, DIVISIONS 1 & 2, GROUPS E, F, G, CLASS III
 CENELEC FLAME PROOF CONSTRUCTION PER EEx d IIC T6
 CERTIFICATE# DEMKO 03 ATEX 0252466X.
 FLAMEPROOF EQUIPMENT, EN 50 014 AND EN 50 018
- * ENCLOSURE: 316 st/st EXPOSED PARTS
- * ENCLOSURE CLASSIFICATION: NEMA 4X, 7, 9; IP66
- * SWITCH OUTPUT:
 ONE SPDT, FACTORY SEALED LEADWIRES.
 TWO SPDT FOR DPDT ACTION AVAILABLE.
- * ELECTRICAL RATINGS:
 5 AMP (CODE H) @ 250 VAC, 5 AMPS RESISTIVE AND
 3 AMPS INDUCTIVE @ 28 VDC, SILVER CONTACTS.
 1 AMP (CODE L) @ 125 VAC 1 A RESISTIVE AND
 0.5 AMP INDUCTIVE @ 28 VDC. BIFURCATED GOLD CONTACTS.
- * SNAP-ACTING BELLEVILLE SPRING CONSTRUCTION FOR VIBRATION RESISTANCE.
- * WETTED MATERIAL:
 P/C: 316 st/st
 DIAPHRAGM: TEFLON COATED POLYIMIDE (KAPTON)
 O-RING: BUNA-N



H	2000 TO 6000	137,9 TO 414,0	400 TO 800	27,58 TO 55,16
G	1000 TO 3200	68,9 TO 220,6	100 TO 500	6,90 TO 34,48
F	400 TO 1500	27,6 TO 103,0	100 TO 250	6,90 TO 17,24
E	200 TO 700	13,8 TO 48,3	40 TO 90	2,80 TO 6,20
D	100 TO 370	6,9 TO 25,5	15 TO 50	1,03 TO 3,45
C	30 TO 170	2,1 TO 11,7	5 TO 15	0,34 TO 1,03
B	15 TO 55	1,0 TO 3,8	3 TO 8	0,21 TO 0,58
A	8 TO 30	0,6 TO 2,1	2 TO 6	0,14 TO 0,41
MODEL NO.	psi bar		psi bar	
	ADJUSTABLE RANGE		DEADBAND	
	LOW END OF RANGE ON FALL HIGH END OF RANGE ON RISE			

WIRE COLOR CODING		
	SW#1	SW#2
COMMON	BROWN	YELLOW
N.C.	RED	BLACK
N.O.	BLUE	VIOLET
GROUND	GREEN	

SYM	DESCRIPTION	DATE	DWN	APPD
C	ENCLOSURE WAS: 300 SERIES st/st. ECN#E2135	1-23-07	SR	RM
B	DEMKO APPROVAL WAS CERTIFICATE# 97D.122235X. ECN#E0670	3-4-04	S.R.	HN
A	FIRST ISSUE. ECN#C6701	8-14-97	S.R.	LK
	REVISIONS			

ORIGINAL DATE 8-14-97	TITLE	DF001D
DRWN S. ROBAK	12 SERIES	 UNITED ELECTRIC CONTROLS COMPANY WATERTOWN * MASSACHUSETTS
CHKD AB	SENSOR/ TYPE 3 & 4	
APPD LK	UNLESS OTHERWISE SPECIFIED DIMENSIONS ARE IN INCHES	DWG NO
	USED ON:	A-13406
	DO NOT SCALE THIS DRAWING	SCALE NONE