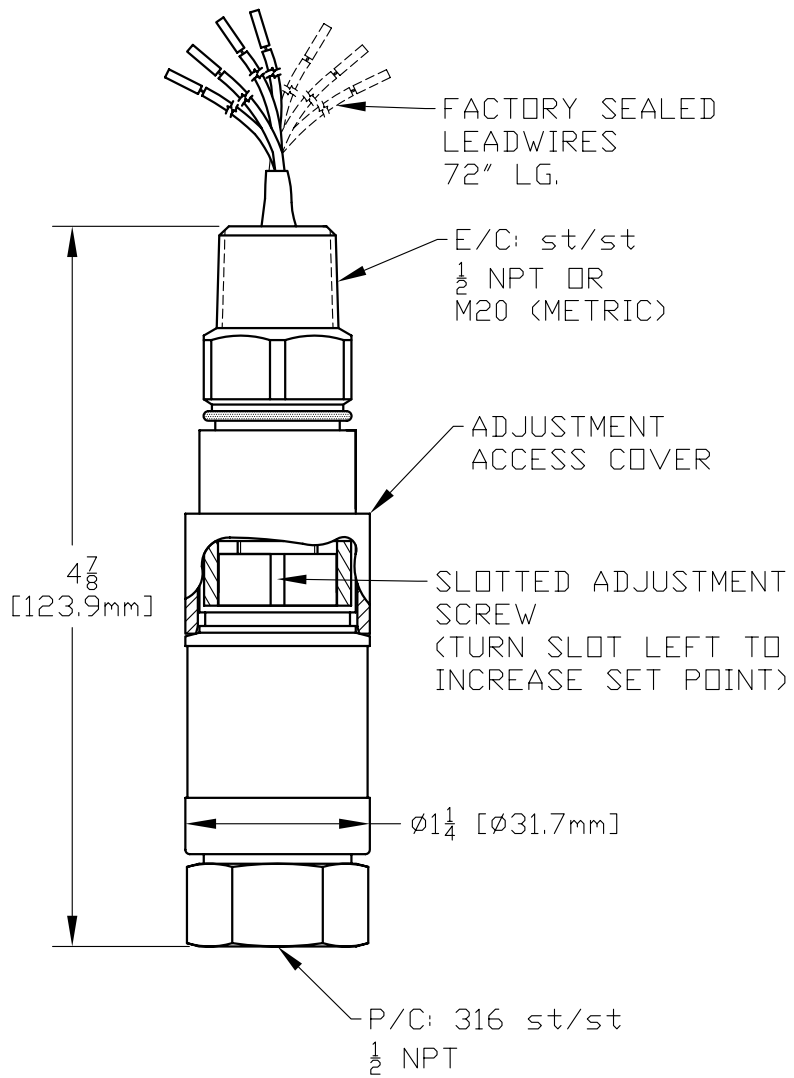


SPECIFICATIONS:

- * APPROVALS:
 UL LISTED, FILE E40857; cUL CERTIFIED, FILE E40857
 CLASS I, DIVISIONS 1 & 2, GROUPS A, B, C, D
 CLASS II, DIVISIONS 1 & 2, GROUPS E, F, G, CLASS III
 CENELEC FLAME PROOF CONSTRUCTION PER EEx d IIC T6
 CERTIFICATE# DEMKO 03 ATEX 0252466X.
 FLAMEPROOF EQUIPMENT, EN 50 014 AND EN 50 018
- * ENCLOSURE: 316 st/st EXPOSED PARTS
- * ENCLOSURE CLASSIFICATION: NEMA 4X, 7, 9; IP66
- * SWITCH OUTPUT:
 ONE SPDT, FACTORY SEALED LEADWIRES.
 TWO SPDT FOR DPDT ACTION AVAILABLE.
- * ELECTRICAL RATINGS:
 5 AMP (CODE H) @ 250 VAC, 5 AMPS RESISTIVE AND
 3 AMPS INDUCTIVE @ 28 VDC, SILVER CONTACTS.
 1 AMP (CODE L) @ 125 VAC 1 A RESISTIVE AND
 0.5 AMP INDUCTIVE @ 28 VDC. BIFURCATED GOLD CONTACTS.
- * SNAP-ACTING BELLEVILLE SPRING CONSTRUCTION FOR VIBRATION
 RESISTANCE.
- * WETTED MATERIAL:
 P/C: 316 st/st
 DIAPHRAGM: 316 st/st




G	275 TO 850	19,0 TO 58,6	40 TO 125	2,76 TO 8,62
F	160 TO 400	11,0 TO 27,6	10 TO 50	0,69 TO 3,45
E	100 TO 210	6,9 TO 14,5	8 TO 30	0,58 TO 2,07
D	50 TO 130	3,5 TO 9,0	7 TO 25	0,48 TO 1,72
C	25 TO 85	1,7 TO 5,9	5 TO 20	0,34 TO 1,38
B	15 TO 45	1,0 TO 3,1	3 TO 10	0,21 TO 0,69
A	10 TO 25	0,7 TO 1,7	2 TO 7	0,14 TO 0,48
MODEL NO.	psi	bar	psi	bar
	ADJUSTABLE RANGE		DEADBAND	
	LOW END OF RANGE ON FALL HIGH END OF RANGE ON RISE			

WIRE COLOR CODING		
	SW#1	SW#2
COMMON	BROWN	YELLOW
N.C.	RED	BLACK
N.O.	BLUE	VIOLET
GROUND	GREEN	

SYM	DESCRIPTION	DATE	DWN	APPD
C	ENCLOSURE WAS: 300 SERIES st/st. ECN#E2135	1-23-07	SR	RM
B	DEMKO APPROVAL WAS CERTIFICATE# 97D.122235X. ECN#E0670	3-4-04	S.R.	HN
A	FIRST ISSUE. ECN#C6701	8-14-97	S.R.	LK

REVISIONS

ORIGINAL DATE	8-14-97	TITLE	12 SERIES SENSOR/TYPE 2	DF001D
DRWN	S. ROBAK			
CHKD	AB			
APPD	LK			
UNLESS OTHERWISE SPECIFIED DIMENSIONS ARE IN INCHES				
DO NOT SCALE THIS DRAWING		USED ON:		
		SCALE	NONE	
			DWG NO	A-13405
			 UNITED ELECTRIC CONTROLS COMPANY WATERTOWN * MASSACHUSETTS	